

Parts Catalog



SP40

MIXERS

MODELS: SP40 & SPC40

01-18-12

IMPORTANT!

TO EXPEDITE SHIPMENT OF PARTS, ALWAYS SPECIFY MODEL, REV,
PART NUMBER, AND SERIAL NUMBER OF MIXER.

GLOBE FOOD EQUIPMENT COMPANY

2215 East River Road
Dayton, Ohio 45439

Parts Department

Toll Free 1-800-745-6238 • Fax (937) 290-0585

E-Mail: globeinfo@globeslicers.com

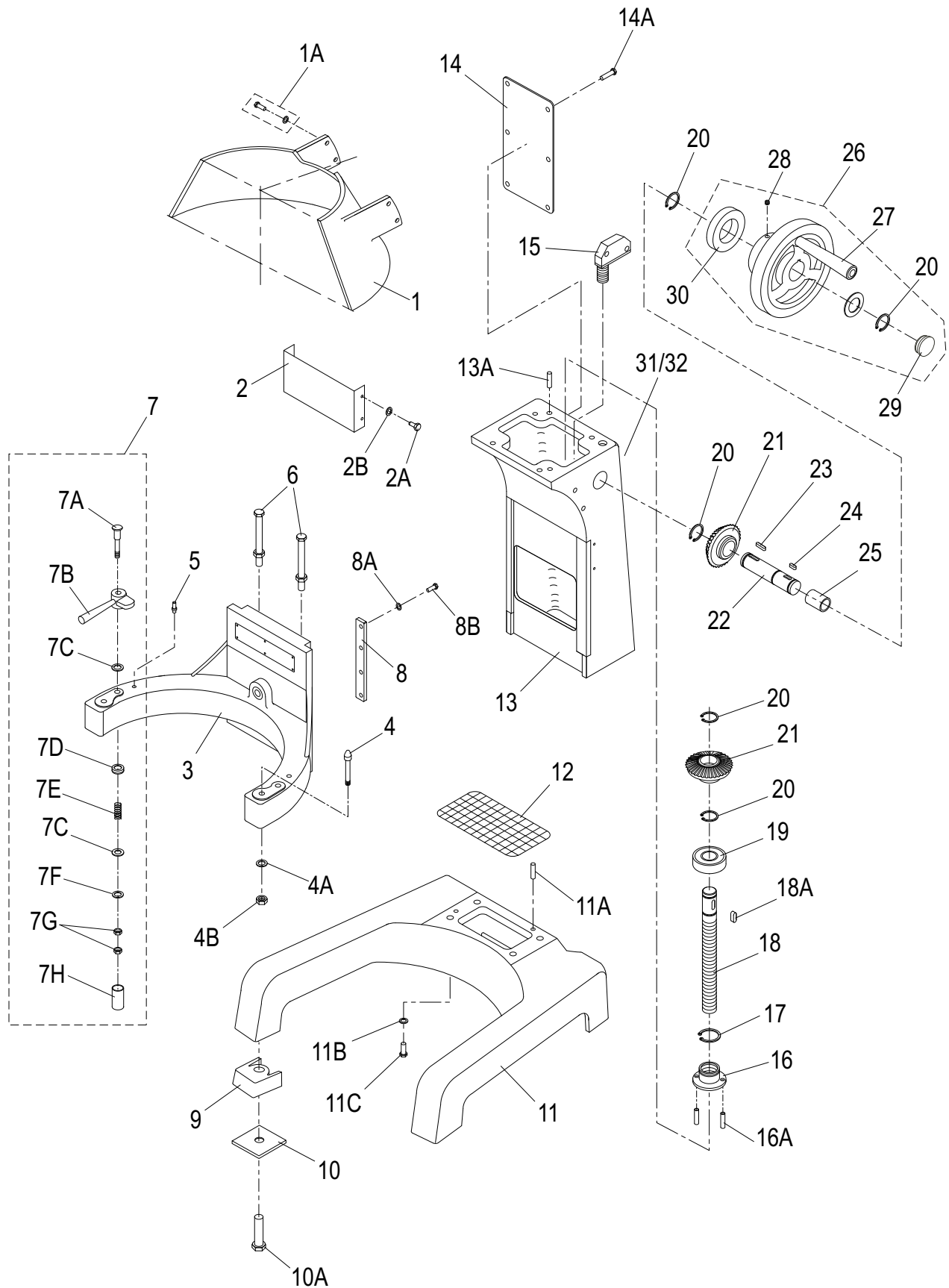
Website: www.globeslicers.com

Not for resale

TABLE OF CONTENTS

BASE	1 - 2
HEAD	3 - 4
HUB	5
PLANETARY	6
GEARS	7 - 8
MOTOR	9
MOTOR BRAKE - SPC MODELS ONLY	10
ELECTRICAL DIAGRAM, SP40 - 220, 1 PHASE	11
ELECTRICAL DIAGRAM, SP40 - 208, 3 PHASE	12
WIRING DIAGRAM, SP40 - 220, 1 PHASE	13
WIRING DIAGRAM, SP40 - 208, 3 PHASE	14
WIRING DIAGRAM, SPC40 - 220, 1 PHASE	15
WIRING DIAGRAM, SPC40 - 208, 3 PHASE	16

SP40/SPC40 BASE COMPONENTS

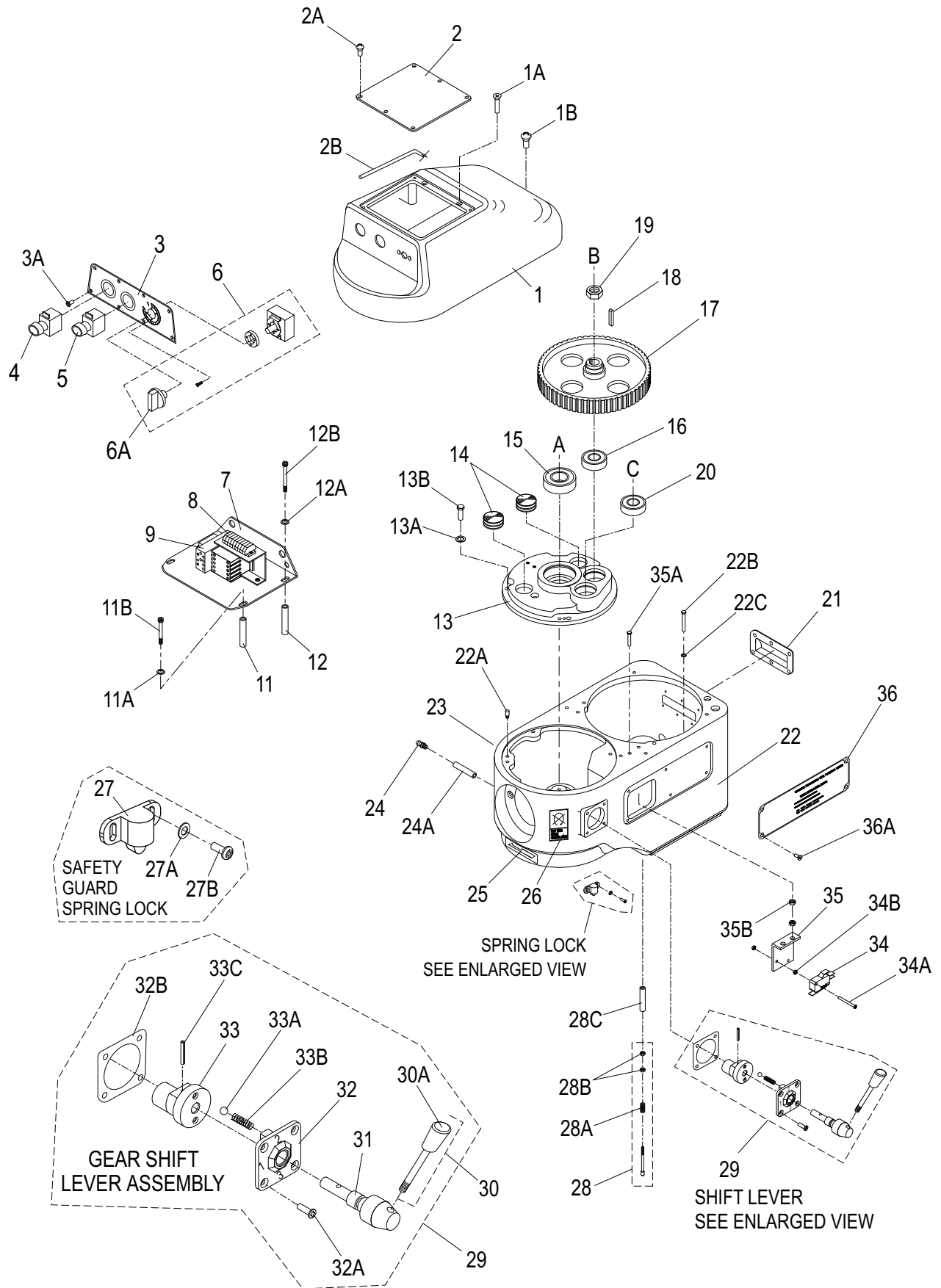


SP40/SPC40 BASE PARTS LIST

ITEM	DESCRIPTION	PART NO.	QTY	HARDWARE
1	GUARD, REAR	X40036	1	
1A	SCREW, HEX HEAD & FLAT WASHER	X30101	4	M8x20mm
2	MIXER COLUMN COVER	X40102	1	
2A	SCREW, HEX HEAD	X20185	3	M6x8mm
2B	WASHER, FLAT	X10218	3	M6
3	BOWL CRADLE	X40034	1	
4	DOWEL PIN, THREADED	X40109	2	M12
4A	WASHER , SPLIT LOCK	X40034A	2	M12
4B	NUT, STOP	X40110	8	M12
5	BOWL CLAMP STOP PIN	X40164	2	
6	SCREW, HEX HEAD & NUT (TOUCH SHAFT)	X40106	1	M10x54mm
7	BOWL CLAMP ASSEMBLY (SET/2)	X30033	1	
7A	BOWL CLAMP SCREW	-	2	
7B	BOWL CLAMP (SET/2, NEW STYLE)	X30033-2	1	M12
7C	WASHER, FLAT	-	4	M12
7D	HARDWARE CAP RETAINER	-	2	
7E	SPRING	-	2	
7F	WASHER, SPLIT LOCK	-	2	M12
7G	NUT, ACORN	-	4	M12
7H	HARDWARE CAP	-	2	
8	CRADLE SLIDE GUIDES	X40035	2	
8A	WASHER, FLAT	X08074	8	M8
8B	SCREW, HEX HEAD	X30197	8	M8x24mm
9	FRONT/REAR RUBBER FEET (SET)	X40162-163	1	
10	SHIPPING WASHER	X40173	4	
10A	SHIPPING BOLT	X40039	4	3/8x45mm
11	MIXER BASE	X40038	1	
		*X40038-DG		
11A	DOWEL PIN, COLUMN LOCATOR	X40040	2	Ø8x16mm
11B	WASHER, FLAT	X30171	4	M12
11C	SCREW, HEX HEAD	X30172	4	M12x40mm
12	BASE SCREEN	X40037	1	
13	MIXER COLUMN	X40042	1	
13A	DOWEL PIN, HEAD LOCATOR	X30178	2	Ø8x16mm
14	PLATE, REAR COVER	X40055	1	
14A	SCREW, TRUSS HEAD	X40056	6	M6x10mm
15	MICROSWITCH, BOWL LIFT	X30051	1	
	MICROSWITCH, BOWL LIFT - SPC MODEL	X30051-1		
16	SCREW SLEEVE	X30104	1	
16A	ROLL PIN	X30105	1	Ø4x30mm
17	RETAINING RING	X25145	1	STW-35
18	BOWL LIFT SCREW	X40041	1	
18A	SHAFT KEY	X20123	1	5x5x15mm
19	BALL BEARING	X30043	1	
20	RETAINING RING	X30044	5	STW-25
21	OBLIQUE GEAR (30T)	X30045	2	
22	SHAFT, HAND WHEEL	X40047	1	
23	SHAFT KEY	X40073	1	5x5x20mm
24	SHAFT KEY	X20123	1	5x5x15mm
25	OILLESS BEARING	X40050	1	
26	HAND WHEEL CRANK WITH HANDLE, PLASTIC	X40053	1	
	HAND WHEEL CRANK WITH HANDLE, METAL	X40053M		
27	HAND WHEEL CRANK HANDLE	X30053-1	1	
28	SET SCREW, CUP POINT (METAL WHEEL ONLY)	X40053A	1	M10x8mm
29	HAND WHEEL CAP	X40053-2	1	
30	SPACER (50mmOD X 25.3mm ID X 10.2mm)	X40053-3	1	
31	LABEL, HAZARDOUS VOLTAGE (NOT SHOWN)	X91014	1	
32	LABEL, CAUTION 3-PH (3 PHASE UNITS, NOT SHOWN)	X91011	1	

*Use after S/N 7410706 (1 Phase) or S/N 7450679 (3 Phase).

SP40/SPC40 HEAD COMPONENTS



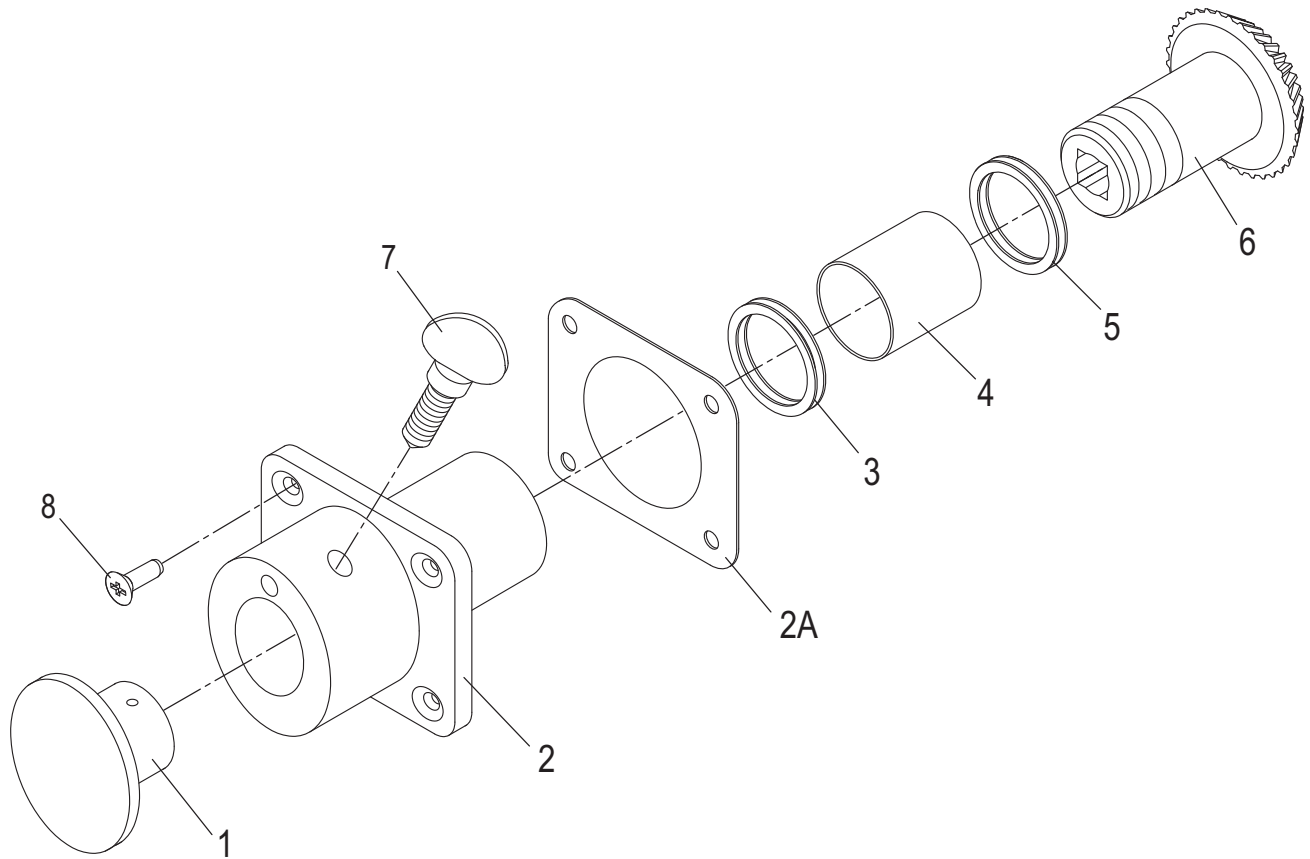
SP40/SPC40 HEAD PARTS LIST

ITEM	DESCRIPTION	PART NUMBER	QTY	HARDWARE
1	COVER, TRANSMISSION	X40004	†X40004-DG	1
	COVER, TRANSMISSION - SPC MODEL	X40004-1	†X40004-DG	
1A	SCREW, FLAT HEAD	X30207	2	M8x108mm
1B	SCREW, FLAT HEAD	X30220	1	M6x90mm
2	COVER, SWITCH BOX	X40002	1	
2A	SCREW, TRUSS HEAD	X30001	6	M6x10mm
2B	GASKET, SWITCH BOX	X40003	1	
3	CONTROL PANEL	X40005	1	
3A	SCREW, TRUSS HEAD	X30204	8	M4x10mm
3B	GASKET, CONTROL PANEL (NOT SHOWN)	X40009	1	
4	EMERGENCY STOP BUTTON	X10050	1	
5	START BUTTON	X30007	1	
5A	BOOT, START/STOP SWITCH BUTTON (NOT SHOWN)	X30007-1	2	
5B	BULB, START BUTTON (NOT SHOWN)	X30007-1B	1	
6	TIMER WITH KNOB	X10137	1	
6A	TIMER KNOB	X10137-1	1	
7	PLATE, ELECTRONICS MOUNTING	X40013	2	
8	CONNECTING BLOCK SET	X40012	1	
	CONNECTING BLOCK, 2C GRY	X40012-2G	7	
	CONNECTING BLOCK, 4C ORG	X40012-4R	1	
	CONNECTING BLOCK END CAP	X40012-EC	1	
9	OVERLOAD RELAY/CONTACTOR KIT, SP40 2HP, 3PH	X40154-1	1	
	OVERLOAD RELAY/CONTACTOR KIT, SP40 2HP, 1PH	X40154-2		
11	TUBE, SUPPORT - FRONT (67mm)	X40153	2	
11A	WASHER, FLAT	X40153A	2	M8
11B	CAP SCREW, SOCKET HEAD	X30086	2	M8x110mm
12	TUBE, SUPPORT - REAR (89mm)	X40085	2	
12A	WASHER, FLAT	X40085A	2	M8
12B	SCREW, HEX HEAD	X30010	2	M8x88mm
13	COVER, GEAR HOUSING	X40077	1	
13A	WASHER, SPLIT LOCK	X30198	4	M8
13B	SCREW, HEX HEAD	X30197	4	M8x24mm
14	GREASE PLUG	X10073	2	
15	BALL BEARING	X30024	1	
16	BALL BEARING	X10012	1	
17	WHEEL, MAIN COG (97T)	X40080	1	
18	SHAFT KEY	X40081	1	5x5x30mm
19	NUT, JAM & WASHERS	X40082	1	M16
20	BALL BEARING	X10012	1	
21	PLATE, VENTILATION	X30076	1	
22	TRANSMISSION CASE, FIXED/REMOVABLE BOWL GUARD	*X40087	**X40087-1	1
22A	PIN, LOCATING	X40199	2	
23	LABEL, LUBRICATE	X91009	1	
24	GREASE FITTING	X10900	1	
24A	GREASE TUBE	X10217	1	
25	LABEL, ARROW	X91012	1	
26	LABEL, STOP TO CHANGE GEAR	X91010	1	
27	SAFETY GUARD SPRING LOCK	X10134	1	
27A	WASHER, FLAT	X30184A	2	M3
27B	SCREW, ROUND HEAD	X40184	2	M3x8mm
28	TOUCH SHAFT ASSY, BRASS	X30096	1	
	TOUCH SHAFT ASSY, NYLON	X30096N		
28A	SPRING	X30095	1	
28B	NUT, HEX	X30186	2	M5
28C	TUBE	X40187	1	
29	GEAR SHIFT LEVER ASSEMBLY	X40057-60	1	
30	GEAR SHIFT LEVER WITH KNOB	X40057	1	
30A	KNOB, GEAR SHIFT	X30057-1	1	
31	SHAFT	X40058	1	
32	COVER	X40059	1	
32A	SCREW, FLAT HEAD	X40179	4	M8x20mm
32B	GASKET	X30059-1	1	
33	SHAFT BIAS	X40060	1	
33A	ROLLER	X40181	2	
33B	SPRING	X40180	2	
33C	ROLL PIN	X40060A	1	Ø5x28mm
34	MICROSWITCH, INTERLOCK	X10057	1	
	MICROSWITCH, INTERLOCK - SPC MODEL	X10057-1		
34A	SCREW, ROUND HEAD	854-2	2	#4-40x5/8
34B	NUT, HEX	854-3	4	#4-40
35	BRACKET, MICROSWITCH	X30062	1	
35A	SCREW, HEX HEAD	X40190	2	M6x20mm
35B	NUT, HEX	X40183	4	M6
36	PLATE, WARNING	X30066	1	
36A	SCREW, PAN HEAD	X30065	4	M4x6mm

*Fixed Bowl Guard used before S/N 7410525 or 7450536. **Removable Bowl Guard applies after S/N 7410524 or 7450535.

†Use after S/N 7410706 (1 Phase) or S/N 7450679 (3 Phase).

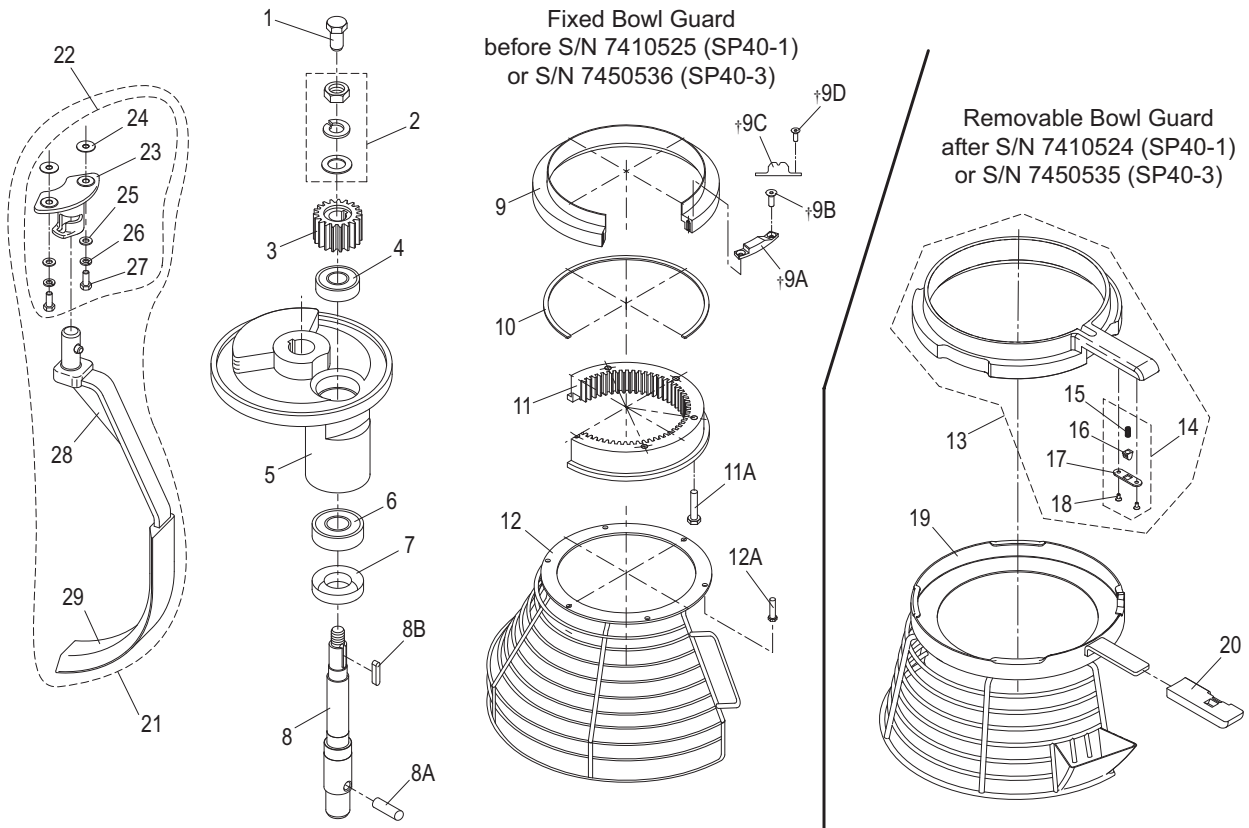
SP40/SPC40 HUB ASSEMBLY COMPONENTS



ITEM	DESCRIPTION	PART NUMBER	QTY	HARDWARE
1	ATTACHMENT HOLE PLUG	X10007	1	
2	ATTACHMENT HUB (INCLUDES OIL SEAL & BEARING)	X40017	1	
		*X40017-DG		
2A	GASKET	X40017-1	1	
3	OIL SEAL	X10089	1	
4	BEARING	X10075	1	
5	THRUST WASHER	X30018-1	2	
6	LEVEL DRIVE GEAR (35T)	X40014	1	
7	THUMB SCREW	X10005	1	1/2-13x3/4"
8	CAP SCREW, SOCKET HEAD	X10174	4	M6x25mm

*Use after S/N 7410706 (1 Phase) or S/N 7450679 (3 Phase).

SP40/SPC40 PLANETARY COMPONENTS

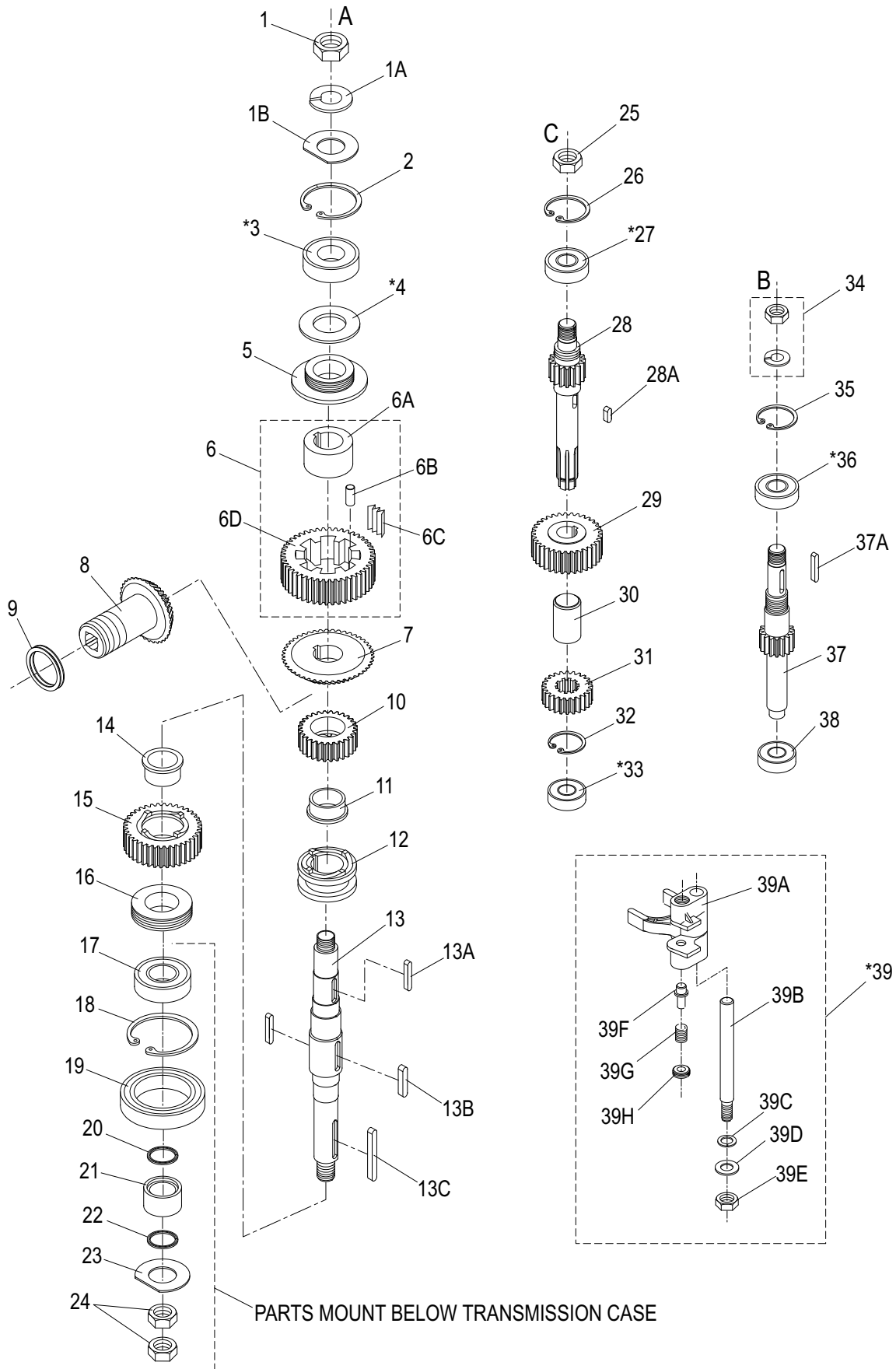


ITEM	DESCRIPTION	PART NUMBER	QTY	HARDWARE
1	SCREW (OLD STYLE SHAFT)	X40019	1	M10x24mm
2	NUT, STOP & WASHERS	X30020	1	M14
3	PINION, BEATER (21T)	X40021	1	
4	BALL BEARING	X10102	1	
5	PLANETARY SHAFT HOLDER	X40023	1	
		*X40023-DG		
6	BALL BEARING	X30024	1	
7	OIL SEAL	X40025	1	
8	PLANETARY SHAFT, EXTERNAL THREAD (NEW STYLE)	X40027	1	
	PLANETARY SHAFT, INTERNAL THREAD (OLD STYLE)	-	1	
8A	DOWEL PIN	X30028	1	M12x17mm
8B	SHAFT KEY	X40026	1	6x6x22mm
9	SLIDE SHEATH	X40090	1	
9A	TOUCH MASS	X10041	2	
9B	SCREW, FLAT HD - SS	X10042	2	M4x10mm
9C	SAFETY GUARD SPRING LOCK FIXTURE	X10135	1	
9D	SCREW, ROUND HEAD	X10135A	2	M4x10mm
10	GASKET	X40091	1	
11	RING GEAR (67T)	X40092	1	
11A	SCREW, SOCKET HEAD	X30099	6	M8x28mm
12	FRONT INTERLOCKING GUARD ASSY	X40093-94	1	
12A	SCREW, HEX HEAD - (LOCKING PATCH)	X10083	6	M5x8mm
13	PLASTIC SLIDE SHEATH, REMOVABLE SAFETY GUARD	X400S2	1	
14	SPRING PLUNGER HARDWARE KIT	X200S3	1	
15	SPRING	-	1	
16	PLUNGER	-	1	
17	PLATE, PLUNGER RETENTION	-	1	
18	SCREW, FLAT HEAD	-	2	M3x8mm
19	BOWL GUARD ASSEMBLY, STAINLESS STEEL	X400S1	1	
20	HANDLE, PLASTIC - REMOVABLE SAFETY GUARD	X30504	1	
21	BOWL SCRAPER ASSEMBLY	XXSCRP-40	1	
22	SCRAPER MOUNTING KIT	X40511S	1	
23	WASHER	X40512	2	
24	SCRAPER MOUNTING HUB	X40511S	1	
25	WASHER, FLAT	-	2	M8
26	WASHER, SPLIT LOCK	-	2	M8
27	SCREW, HEX HEAD	-	2	M8x25mm
28	SCRAPER ARM	X40509S	1	
29	BOWL SCRAPER	X40515	1	

*Use after S/N 7410706 (1 Phase) or S/N 7450679 (3 Phase).

Before S/N 7410525 (SP40-1) or 7450536 (SP40-3)
 After S/N 7410524 (SP40-1) or 7450535 (SP40-3)
 After S/N 7410619 (SP40-1) or 7450580 (SP40-3)

SP40/SPC40 GEARBOX COMPONENTS



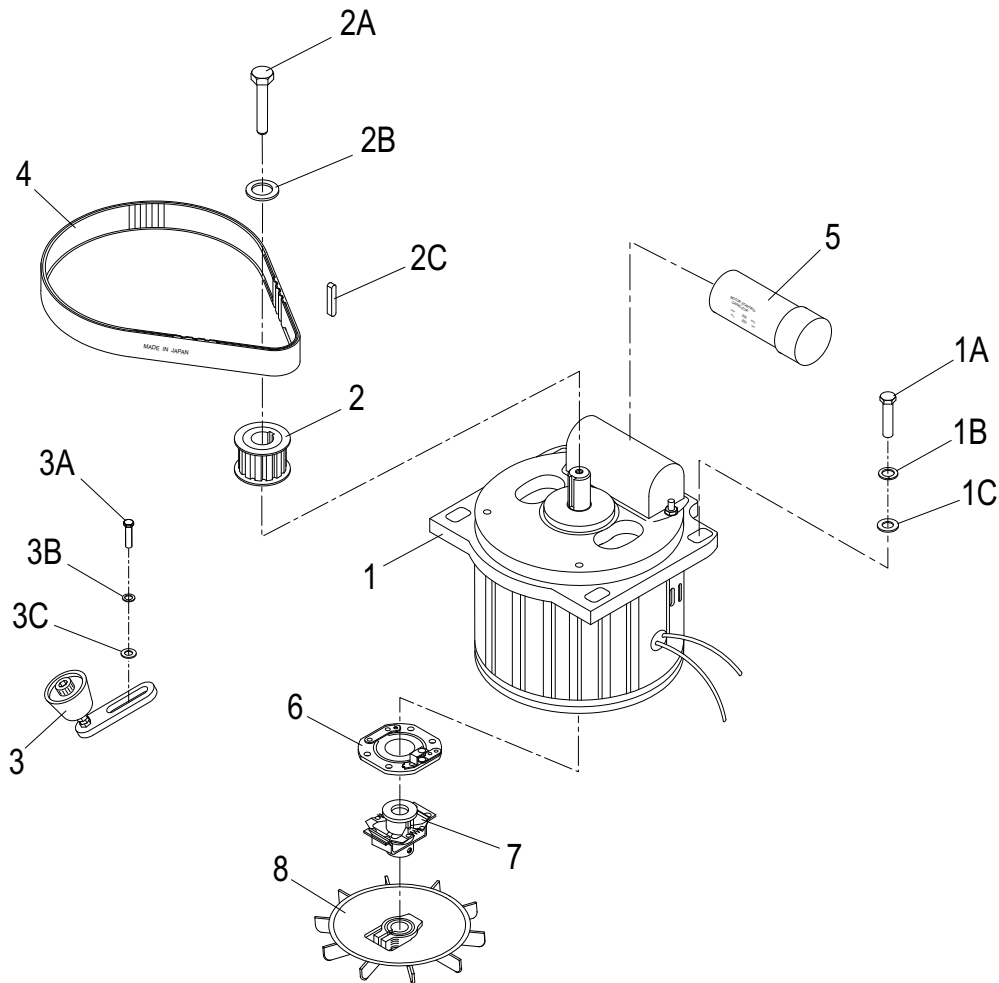
*PART CONFIGURATION MAY VARY.

SP40/SPC40 GEARBOX PARTS LIST

ITEM	DESCRIPTION	PART NUMBER	QTY	HARDWARE
1	NUT, JAM	X40111	1	M24
1A	WASHER, SPLIT LOCK	X40111A	1	M24
1B	FLAT WASHER, D SHAPE	X40111B	1	M24
2	RETAINING RING	X30112	1	STW-52
*3	BALL BEARING	X30024	1	
*4	SHIM	X40024A	A/R	
5	LEAD-IN OIL PAD	X40113	1	
6	SLOW SPEED GEAR ASSEMBLY	X40114-117	1	
6A	BUSHING	-	1	
6B	DOWEL PIN	-	1	
6C	SLICE SPRING	-	1	
6D	GEAR, SLOW SPEED (52T)	-	1	
7	GEAR, BEVEL (52T)	X40118	1	
8	HUB DRIVE GEAR (35T)	X40014	1	
9	THRUST WASHER	X30018-1	1	
10	GEAR, CLUTCH (36T) OLD STYLE	X40120	1	
	GEAR, CLUTCH (34T) NEW STYLE	X40209		
	GEAR, CLUTCH (34T) NEW STYLE	*X40222		
11	BUSHING, CLUTCH	X40119	1	
12	SLEEVE, CLUTCH	X40133	1	
13	DRIVE SHAFT	X40130	1	
13A	SHAFT KEY	X40121	1	8x8x44mm RR
13B	SHAFT KEY	X40132	2	8x8x40mm RR
13C	SHAFT KEY	X30131	1	10x10x57mm
14	BUSHING, CLUTCH	X40119	1	
15	GEAR, CLUTCH (45T)	X40122	1	
16	WASHER, STEPPED	X30124	1	
17	BALL BEARING	X40125	1	
18	RETAINING RING	X40126	1	STW-80
19	OIL SEAL	X40128	1	
20	O-RING	X30221	1	36x30x3mm
21	GUARD, OIL BUSHING	X40127	1	
22	O-RING	X30221	1	36x30x3mm
23	D WASHER, FLAT	X40129A	1	M20
24	NUT, JAM	X30111	2	M20
25	STOP NUT	X40147	1	M18
26	RETAINING RING	X25106	1	STW-52
*27	BALL BEARING (QTY MAY VARY)	X10012	1	
28	TRANSMISSION SHAFT (13T) OLD STYLE, KEYED	X40150-1	1	
	TRANSMISSION SHAFT (13T) NEW STYLE, SPLINED	X40150-2	1	
28A	SHAFT KEY	X40149	1	8x8x22mm
29	GEAR (29T) OLD STYLE	X40148	1	
	GEAR (31T) NEW STYLE	*X40223		
30	BUSHING, SPACER	X40144	1	
31	GEAR (20T) OLD STYLE, KEYED	X40143-1	1	
	GEAR (20T) NEW STYLE, SPLINED	X40143-2	1	
32	RETAINING RING	X40141	1	STW-24
*33	BALL BEARING (QTY MAY VARY)	X30140	1	
34	NUT, JAM & SPLIT LOCK WASHER	X40082	1	M16
35	RETAINING RING	X30146	1	STW-42
*36	BALL BEARING (QTY MAY VARY)	X10012	2	
37	SHAFT, MASTER (15T)	X40145	1	
	SHAFT, MASTER (13T)	*X40224		
37A	SHAFT KEY	X40081	1	5x5x30mm
38	BALL BEARING	X30140	1	
39	YOKE, SHIFTER ASSEMBLY	X40134-139	1	
39A	YOKE, SHIFTER	-	1	
39B	GUIDE, ROD SHIFTER	-	1	
39C	WASHER, SPLIT LOCK	-	1	M12
39D	WASHER, FLAT	-	1	M12
39E	NUT, JAM	-	1	M12
39F	PLUNGER, YOKE SHIFTER	-	1	
39G	SPRING, YOKE SHIFTER	-	1	
39H	SPRING, RETAINER	-	1	

*USE AFTER SERIAL NUMBERS: 7410232 (SINGLE PHASE) & 7450265 (3 PHASE)

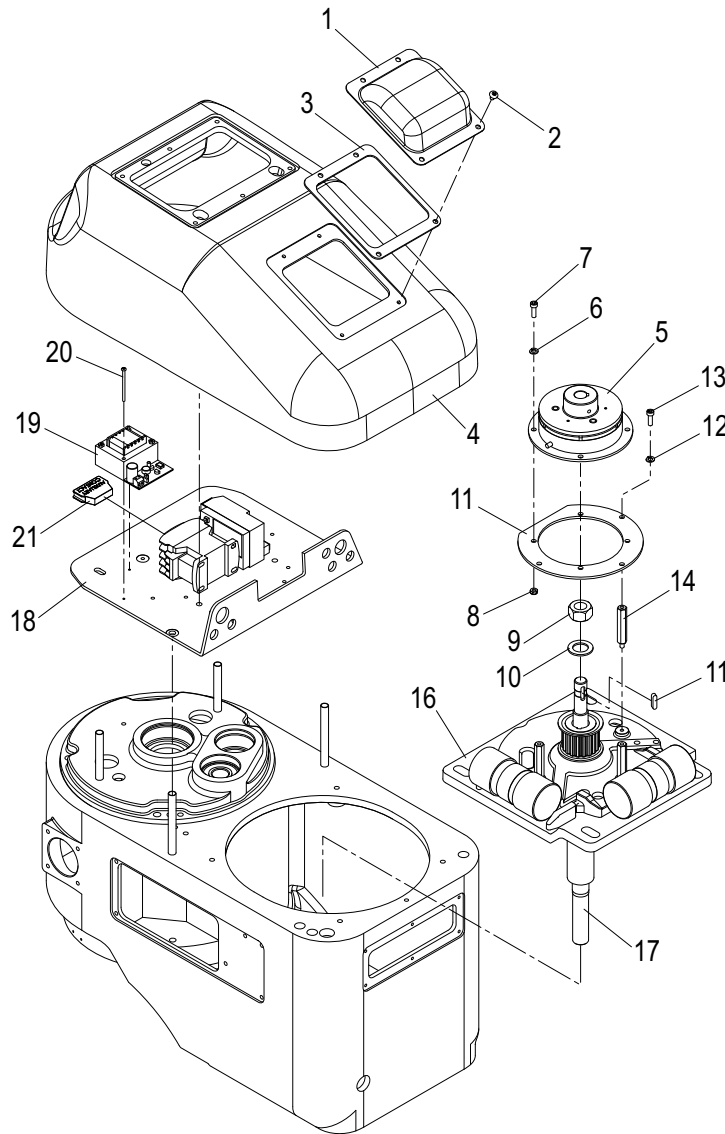
SP40/SPC40 MOTOR COMPONENTS



ITEM	DESCRIPTION	PART NUMBER	QTY	HARDWARE
1	MOTOR, SP40P 2HP 208/60/3 (SP40P-3)	X40068-1	1	
	MOTOR, SP40P 2HP 208/60/3 - MOTOR BRAKE (SPC40P-3)	X40068-1C		
	MOTOR, SP40P 2HP 220/60/1 (SP40P-1)	X40068-2		
	MOTOR, SP40P 2HP 220/60/1 - MOTOR BRAKE (SPC40P-1)	X40068-2C		
1A	SCREW, HEX HEAD	X40069	4	M8x30mm
1B	WASHER, SPLIT LOCK	X08102	4	M8
1C	WASHER, FLAT	X08076	4	M8
2	WHEEL, MOTOR COG (21T)	X30071	1	
2A	SCREW, HEX HEAD	X40075	1	M8x20mm
2B	WASHER, FLAT	X30074	2	M8
2C	SHAFT KEY	X40073	1	5x5x20
3	BELT TENSIONER	X30158	1	
3A	SCREW, HEX HEAD	X30197	2	M8x24mm
3B	WASHER, SPLIT LOCK	X08102	2	M8
3C	WASHER, FLAT	X08076	2	M8
4	COGGED BELT (S8M-880)	X30072-2	1	
	COGGED BELT (S8M-896)	X40072-2	1	
*5	CAPACITOR, START 400Mf	X30070-1	1	
	CAPACITOR, START 600Mf	X30070-1A		
	CAPACITOR, RUN 50Mf	X40070-2		
	CAPACITOR, RUN 70Mf	X40070-2A		
6	SWITCH, PLATINUM	X40067	1	
7	CLUTCH	X40064	1	
8	COOLING FAN	X40061	1	

*REPLACE EXISTING PARTS WITH SAME ELECTRICAL RATING.

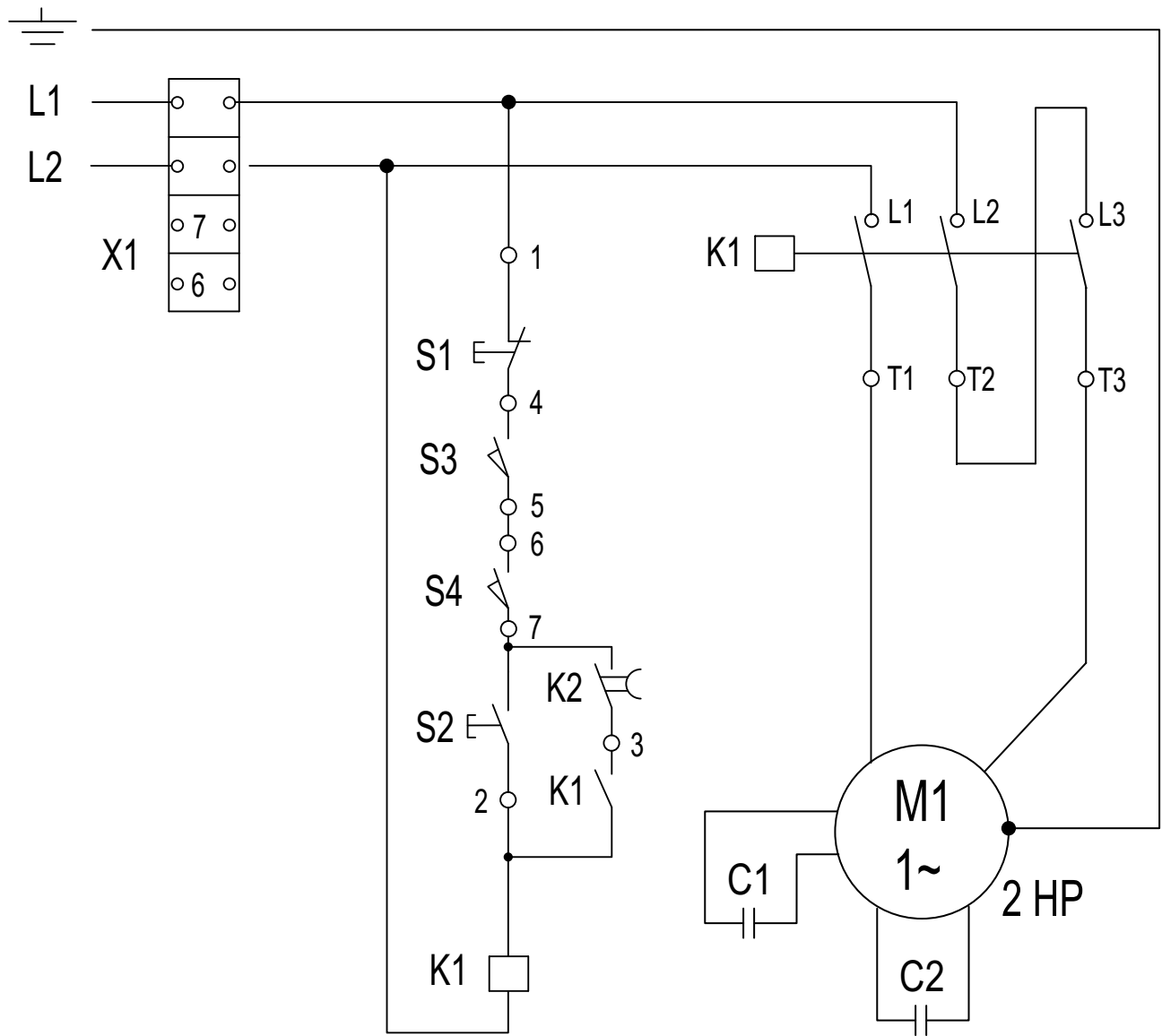
SPC40 MOTOR BRAKE COMPONENTS



ITEM	DESCRIPTION	PART NUMBER	QTY	HARDWARE
1	COVER, MOTOR BRAKE COMPONENTS	X25500	1	
2	SCREW, BUTTON HEAD	-	4	M5x10mm
3	GASKET	X25500-1	1	
4	TRANSMISSION COVER, MOTOR BRAKE VERSION	X40004-1	1	
5	MOTOR BRAKE, MAGNETIC	X40501	1	
6	WASHER, SPLIT LOCK	-	4	M5
7	CAP SCREW, SOCKET HEAD	-	4	M5x12mm
8	NUT, HEX	-	4	M5
9	NUT, HEX	-	1	M18
10	WASHER, FLAT	-	1	M18
11	BRAKE HOUSING	X40500	1	
13	SCREW, SOCKET HEAD	-	3	M5x10mm
14	HEX STANDOFF	X30502	3	
15	SHAFT KEY	-	1	5x5x20mm
*16	TOP COVER, MOTOR	-	1	
*17	MOTOR SHAFT	-	1	
18	PLATE, ELECTRONIC COMPONENT MOUNTING	-	1	
19	ELECTRONIC BOARD, 220V/208V	X20512-1	1	
20	SCREW, ROUND HEAD	-	2	M3x34mm
21	AUXILIARY CONTACT BLOCK	X25503	1	

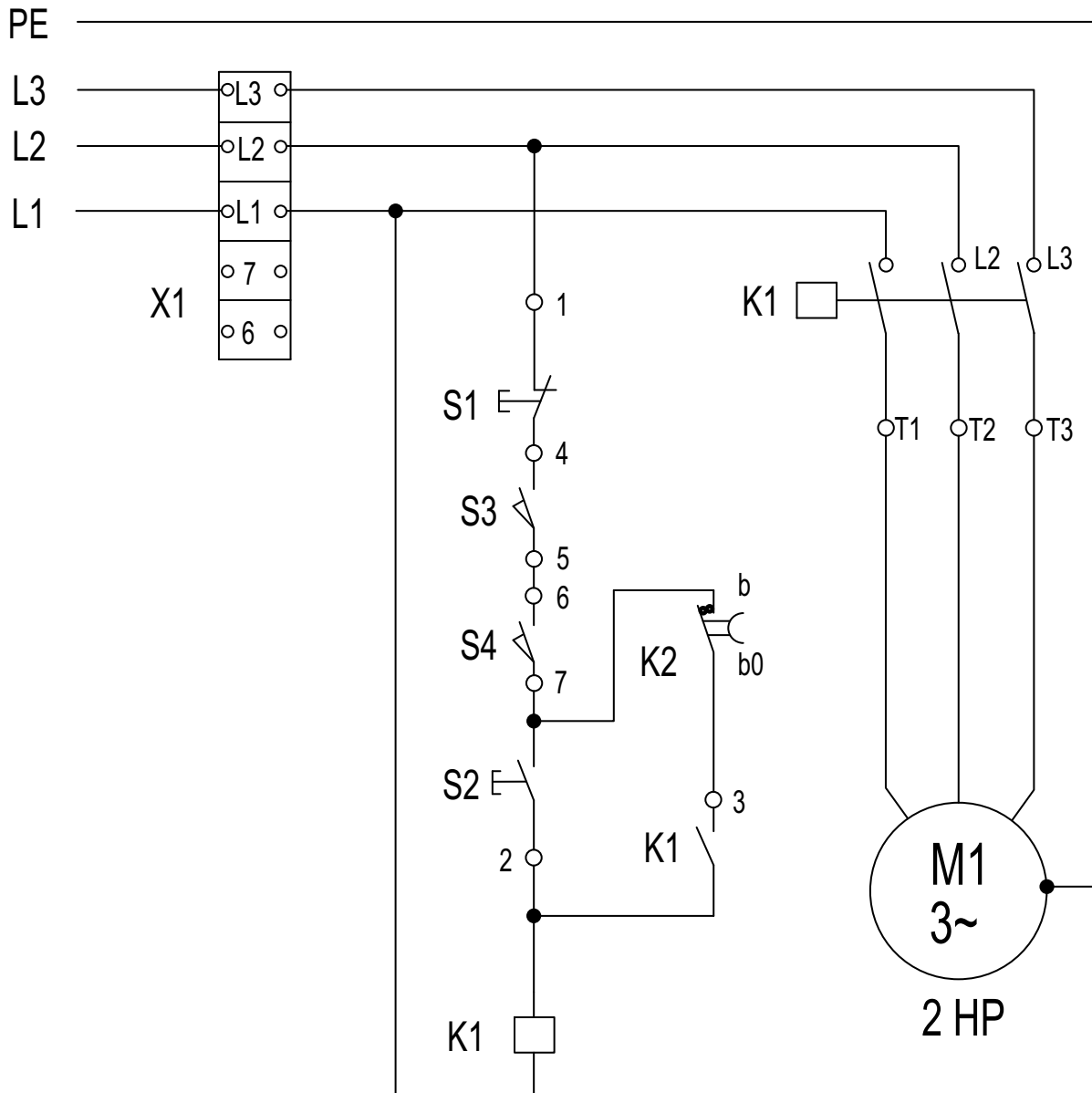
*INCLUDED WITH SPC MODEL MOTOR ASSEMBLY X40068-1C & X40068-2C (PAGE 9).

SP40 ELECTRICAL DIAGRAM, 220V SINGLE PHASE



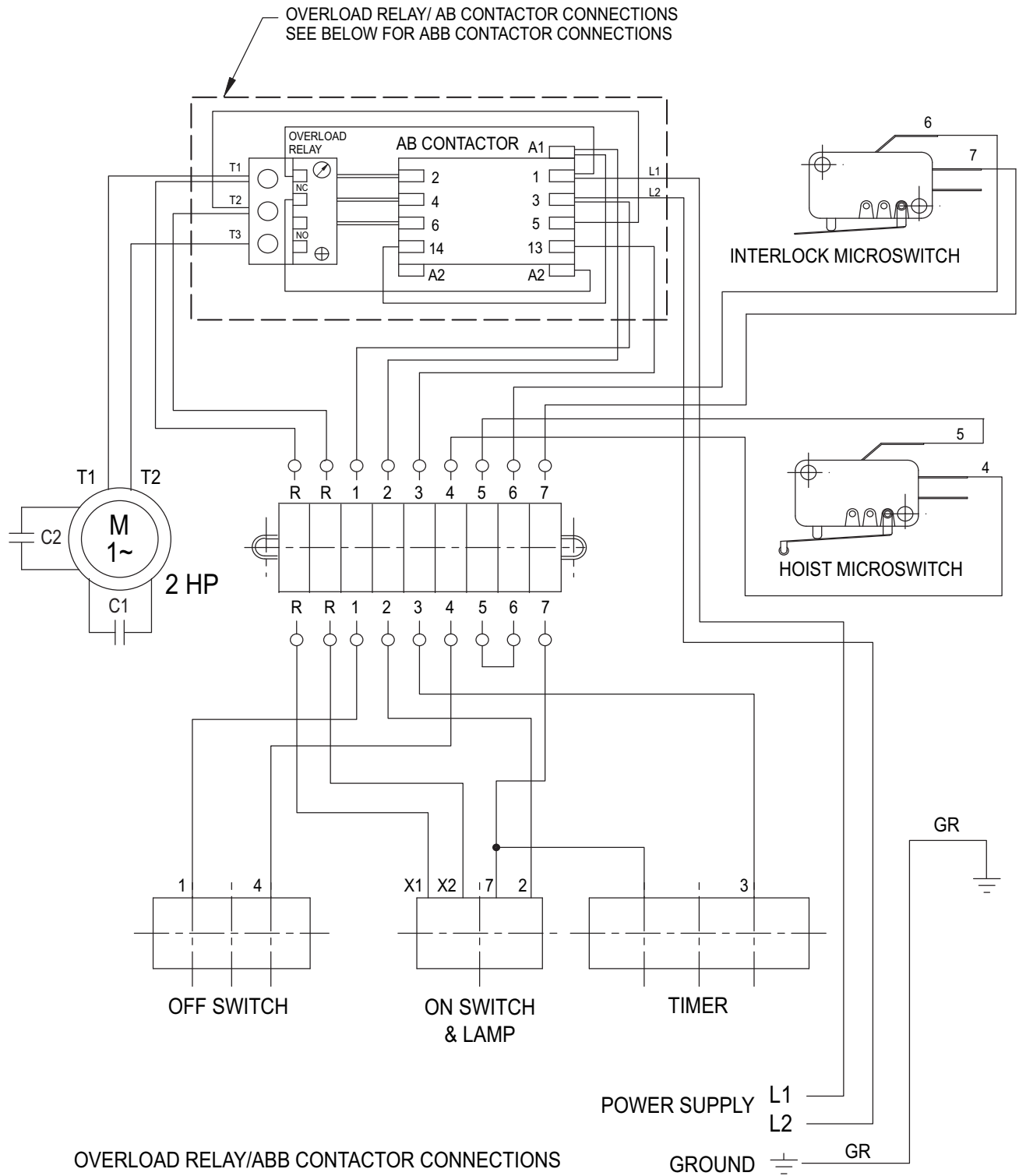
ITEM	DESCRIPTION	QTY
C1	CAPACITOR, START	1
C2	CAPACITOR, RUN	1
S1	EMERGENCY STOP BUTTON	1
S2	START BUTTON	1
S3	MICROSWITCH (BOWL LIFT)	1
S4	MICROSWITCH (INTERLOCK GUARD)	1
K1	CONTACTOR	1
K2	TIMER	1
M1	MOTOR, 2HP SINGLE PHASE 220V	1

SP40 ELECTRICAL DIAGRAM, 208V THREE PHASE

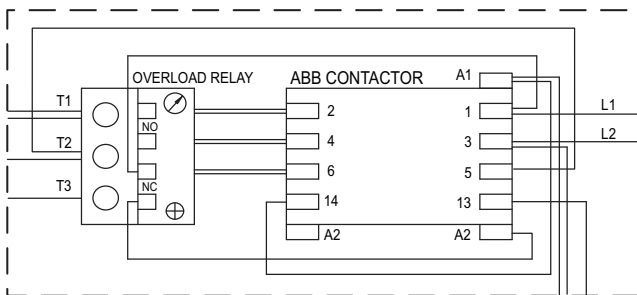


ITEM	DESCRIPTION	QTY
S1	EMERGENCY STOP BUTTON	1
S2	START BUTTON	1
S3	MICROSWITCH (BOWL LIFT)	1
S4	MICROSWITCH (INTERLOCK GUARD)	1
K1	CONTACTOR	1
K2	TIMER	1
M1	MOTOR, 2HP THREE PHASE 208V	1

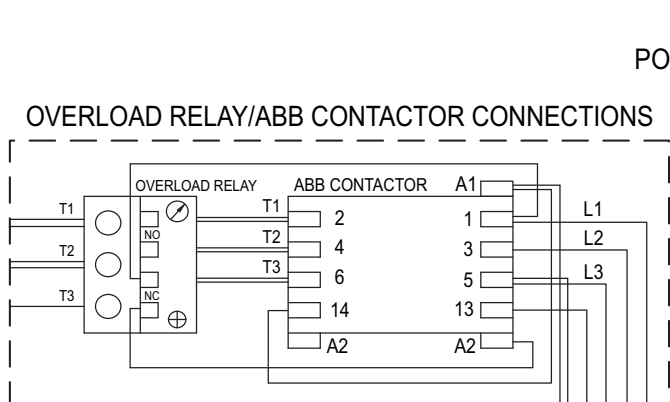
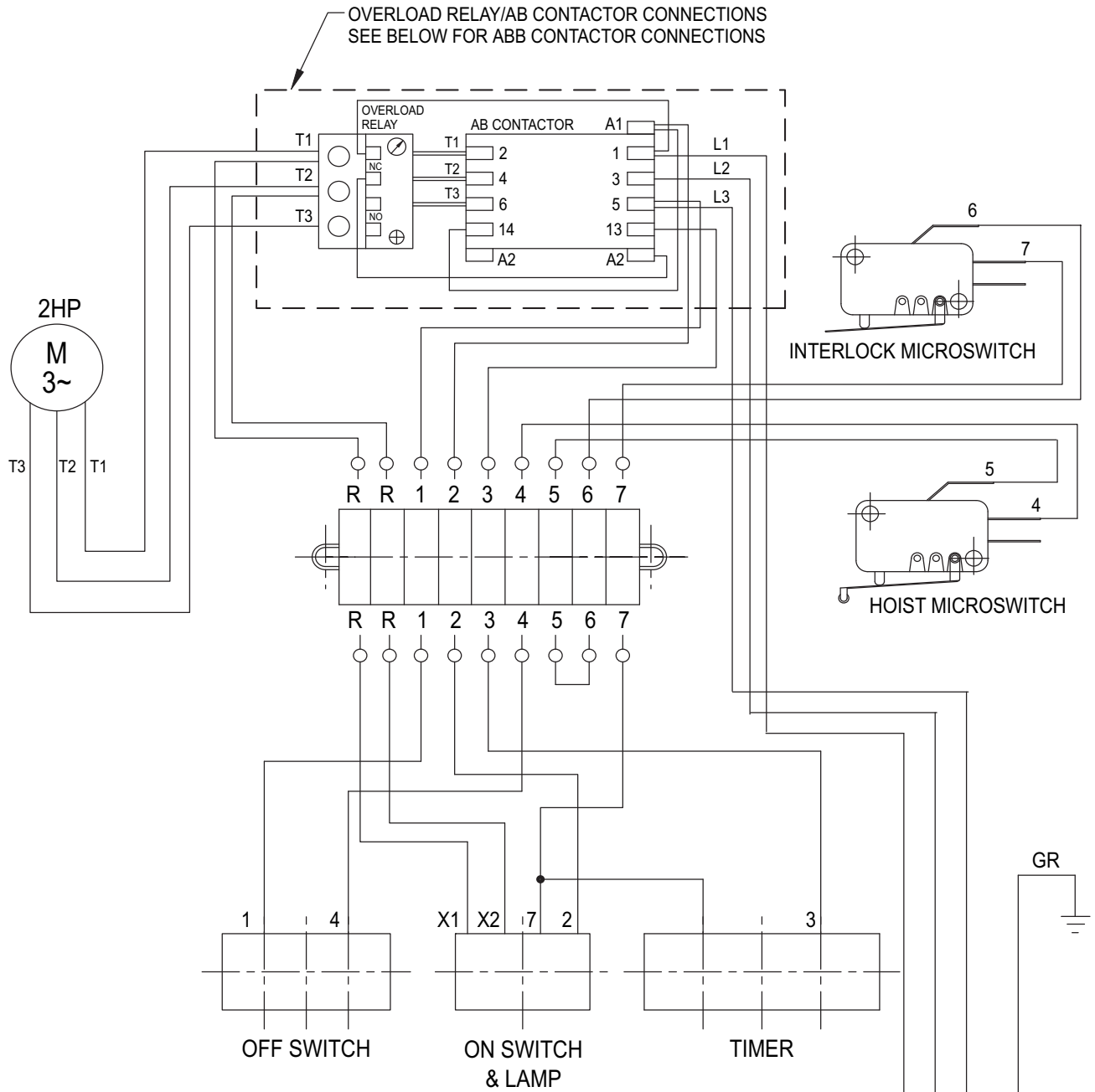
SP40 WIRING DIAGRAM, 220V SINGLE PHASE



OVERLOAD RELAY/ABB CONTACTOR CONNECTIONS



SP40 WIRING DIAGRAM, 208V THREE PHASE



POWER SUPPLY

L1

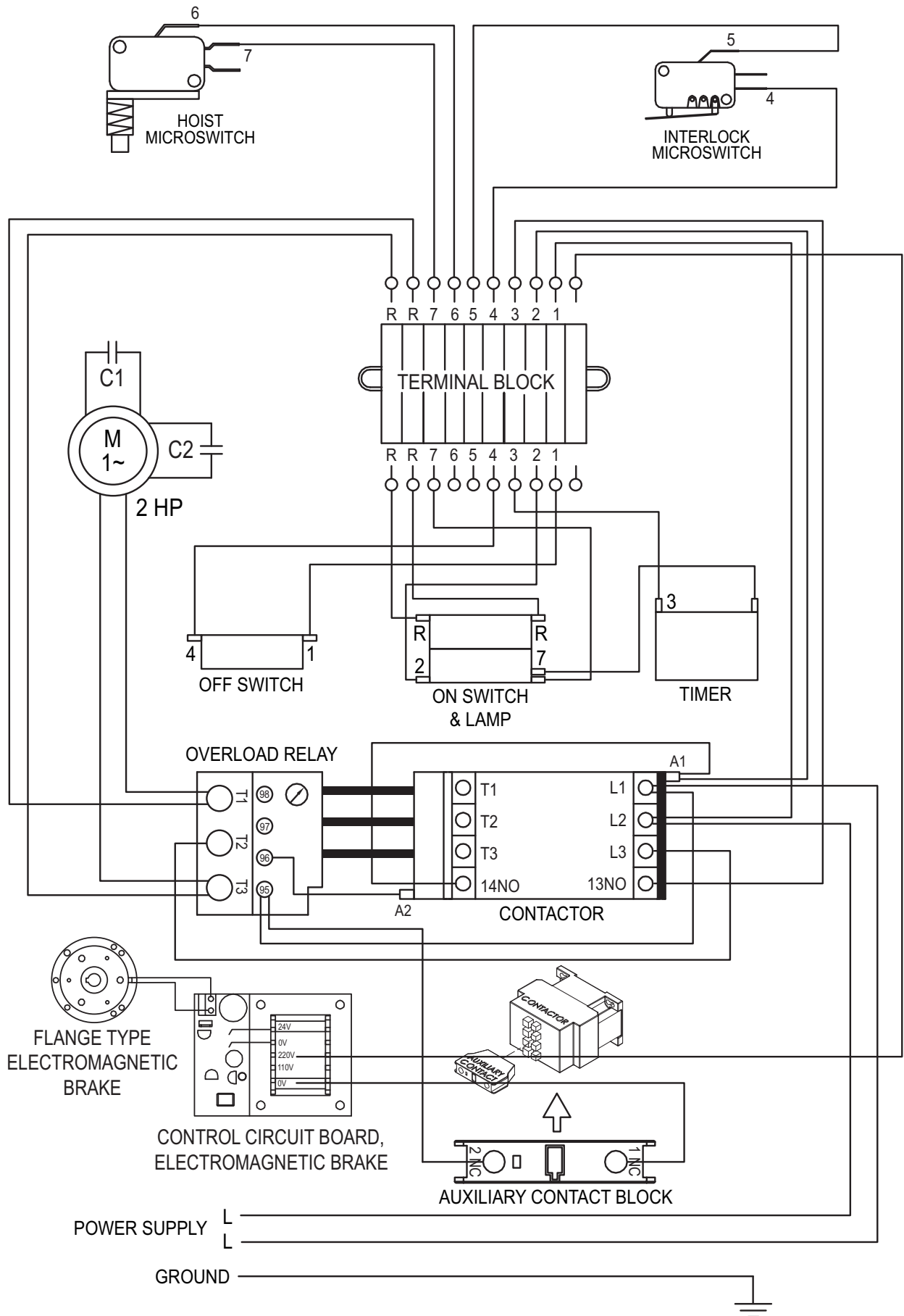
L2

L3

GROUND

GR

SPC40 WIRING DIAGRAM, 220V SINGLE PHASE



SPC40 WIRING DIAGRAM, 208V THREE PHASE

