

BOTTOM MOUNT REACH-IN REFRIGERATORS

Model	Product ID	Doors	Capacity
TCR1-ES	859647	1	23 cu ft
TCR2-ES	859648	2	49 cu ft
TCR3	859649	3	72 cu ft

STANDARD FEATURES

- Solid state thermostat w/digital display
- Field reversible door (TCR1-ES only)
- Stainless steel front & sides
- (3) heavy duty baked Epoxy coated shelves per section
- Non-twist solid mullions on 2 & 3 door units
- Self-closing doors remain open past 90°
- Environmentally friendly HFC 134A
- EZ slide out condenser
- Full length integrated door handle
- Holds sheet pans front to back
- Zero clearance sides & 1" back
- Heavy duty casters w/brakes

WARRANTY

ProCore Refrigeration equipment is warranted to be free from defects in material and workmanship under normal use and service for a period of 2 years for parts and labor. The compressor carries an additional 3 year warranty for the part only.



TCR1-ES



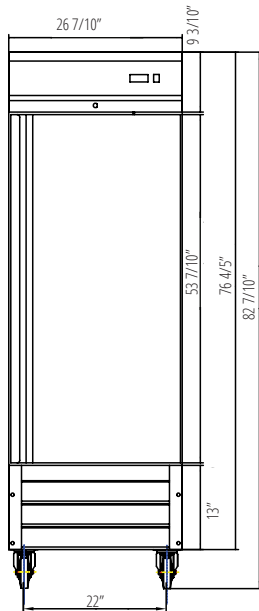
TCR2-ES



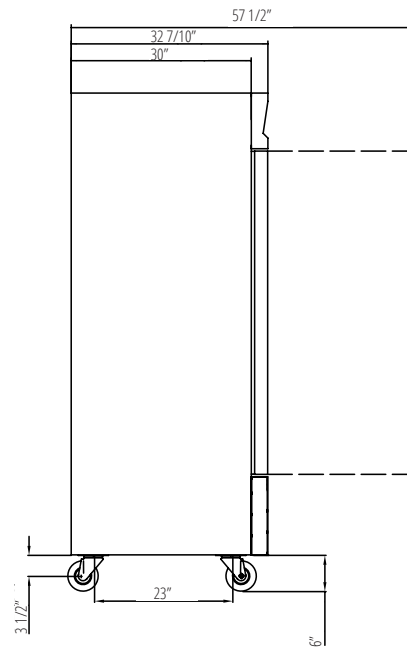
TCR3

Items	Description	Items	Description
Front, top & sides	Stainless steel	Temperature control	Solid state thermostat w/digital display
Doors	Stainless steel/ABS liner	Approvals	UL-EPH
External back	Aluminum	Refrigerating system	Capillary tube
Cabinet internal	Powder coated aluminum	Refrigerant	R134A
Internal floor	300 Series stainless steel	Temperature range	34°F to 38°F
Insulation	Polyurethane (CFC free)	Evaporator	Powder coated aluminum/copper
Shelves	Heavy duty, Epoxy coating	Condensing unit	Bottom mounted

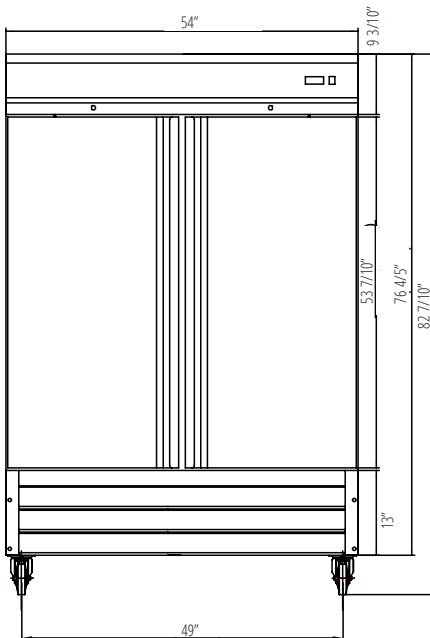
TCR1-ES



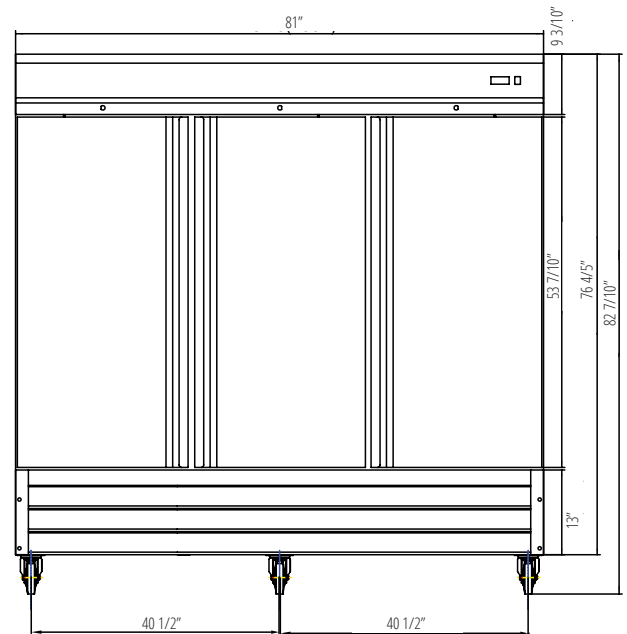
All Units



TCR2-ES



TCR3



Model	Product ID	Doors	Storage CAP (cu ft)	Shelves	Cabinet Dimensions (in) External			HP	Voltage /Hz /ph	Amp	NEMA Plug	Cord Length (ft)	Crated Weight (lbs)
					W	D	H						
TCR1-ES	859647	1	23	3	26 7/10	32 7/10	82 7/10	3/8	115/60/1	3.8	5-15P	10	350
TCR2-ES	859648	2	49	6	54	32 7/10	82 7/10	1/2	115/60/1	5.7	5-15P	10	518
TCR3	859649	3	72	9	81	32 7/10	82 7/10	3/4	115/60/1	10	5-15P	10	669