



**John
BOOS**
Since 1887

ITEM #: _____ QTY: _____
 MODEL #: _____
 PROJECT NAME: _____

012018

3601 S. Banker St. Effingham, IL 62401 • P.O. BOX 609 • Ph: (888) 431-2667 • Fax: (800) 433-2667

"EFT8" FILLER TABLES - 18GA
**STAINLESS STEEL TOP W/ GALVANIZED BASE
 AND ADJUSTABLE UNDERSHELF**



FEATURES:

- 18 GAUGE STAINLESS STEEL TOP
- TYPE 430 STAINLESS STEEL MECHANICALLY POLISHED WITH SATIN FINISH
- TOP IS SOUND DEADENED
- REINFORCED WITH 1"X2" CHANNEL RUNNING ENTIRE LENGTH OF TABLE
- 1 1/2" STALLION EDGE ON FRONT WITH 90 DEGREE BEND DOWN FOR TABLE LINE-UP
- GALVANIZED STEEL BASE AND ADJUSTABLE UNDERSHELF
- SHIPPED KNOCKED-DOWN, EASY-TO-ASSEMBLE
- NSF CERTIFIED



CONSTRUCTION:

- TOP: STAINLESS STEEL TOPS ARE TIG WELDED, EXPOSED WELDS ARE POLISHED TO MATCH ADJACENT SURFACE.

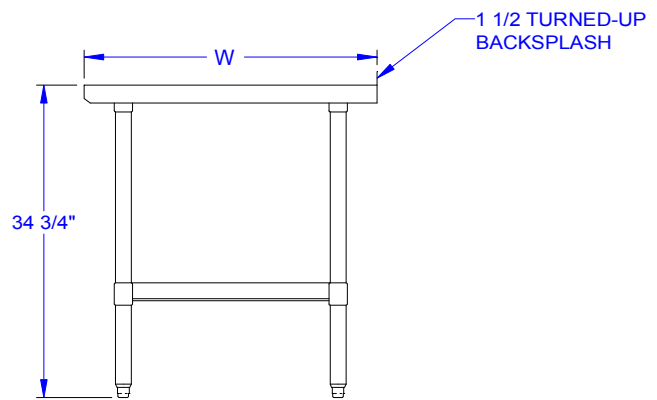
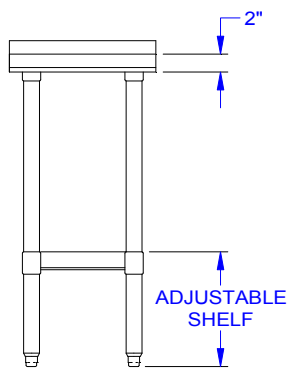
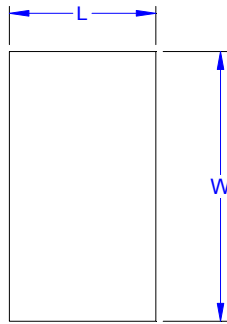
MATERIAL:

- TOP: 18 GAUGE STAINLESS STEEL TYPE 430 MECHANICALLY POLISHED STAINLESS STEEL WITH SATIN FINISH
- SHELF: 18 GAUGE GALVANIZED STEEL,
- LEGS: 1-5/8" ROUND O.D. 16 GAUGE TUBULAR GALVANIZED STEEL
- GUSSETS: GALVANIZED STEEL
- FEET: 1" PLASTIC BULLET FEET

FILLER TABLES - 18GA

30" WIDE	QTY	36" WIDE	QTY
EFT8-3012		EFT8-3612	
EFT8-3015		EFT8-3615	
EFT8-3018		EFT8-3618	
EFT8-3024		EFT8-3624	

DETAILED SPECIFICATIONS



- UNITS 7 FT. AND LARGER ARE FURNISHED WITH SIX LEGS.
- FINISHED SIZE OF UNDERSHELF:
SHELF LENGTH = LENGTH MINUS 4.875"
SHELF WIDTH = WIDTH MINUS 4.25"

FILLER TABLES - 18GA

LENGTH	30" WIDE	WEIGHT (LBS)	36" WIDE	WEIGHT (LBS)
12"	EFT8-3012	32	EFT8-3612	35
15"	EFT8-3015	36	EFT8-3615	39
18"	EFT8-3018	39	EFT8-3618	43
24"	EFT8-3024	46	EFT8-3624	52

SOME UNITS SHIP UNASSEMBLED FOR REDUCED SHIPPING COST. ALL DIMENSIONS ARE TYPICAL. TOLERANCE +/- .500"
John Boos & Co. is constantly engaged in a program of improving products and therefore reserves the right to change specifications without prior notice.



Boos
lock

AQ AutoQuotes

3601 S. Banker St. • Effingham, IL 62401 • PO BOX 609 • quotes@johnboos.com

www.johnboos.com

080817

265