



CRMF27

Commercial Series Undercounter Freezer



CRMF27
09/18/17
Item # 13287

W x D x H
27" x 30" x 33.63"*
*with 4" casters

CRMF27



Dimensions / Capacity

	One Section CRMF27
Interior Storage Capacity (CF)	7.2 ft ³
Interior Storage Capacity (CF) (AHAM)	6.2 ft ³
Overall Width x Depth (including 1" bumper)	27" x 31"
Height (including 4" casters)	33.63"
Door Opening Width x Height	22.6" x 22.9"
Depth with Door Open at 90° (including 1" bumper)	55.5"
Adjustable Shelves	1
Shelf Dimensions (W x D)	22" x 16"
Crated Weight	156 lbs.
Crated Width x Depth x Height	31.5" x 34" x 36.5"

Electrical / Refrigeration

	One Section CRMF27
Voltage	115/60/1
HACR Breaker	15.0 Amps
Electrical Connection (NEMA)	5-15P ⚡
Voltage Range	104-126
Ambient Temp. Range	45° to 100°F
Control Setpoint Range	-10° to 10°F
Amperage	3.4
Energy Consumption (kWh/day) @ASHRAE	2.66
Heat Rejection (BTU/Hr.) @NSF	442
Approx. Nominal Compres. BTU/HR (HP)	841(1/5HP)
Refrigerant / Charge Amount (oz)	R-134a (5 oz)

Options

- 2.25" Casters
- 6" Casters
- Stacking kit (HS-5112)
- Cylinder locks (-01 factory installed)*
- Additional epoxy shelves
- Overshelves

* SPECIAL ORDER- Allow 4-6 weeks lead time.

Warranty

- * 3 Year - parts and Labor on entire machine.
 - 5 Year - Parts on Compressor
- Valid in United States, Canada, Puerto Rico and U.S. Territories. Contact factory for warranty in other countries.

Item #: _____

Project: _____

Qty: _____

AIA#: _____

Features

- ▶ Engineered to maintain NSF-7 temperatures in 100°F ambient
- ▶ Stainless steel exterior front, sides, and top with stainless steel interior sides, back, and floor
- ▶ Front breathing air flow design
 - Cabinet and doors are insulated with 2" CFC free, foamed in place polyurethane
 - Exclusive "stepped" door design to protect door gasket
 - Spring assisted self-closing doors with stay open feature
 - Extruded aluminum flush mount door handle
 - Field reversible doors
 - Magnetic door gasket is easily removable for cleaning
 - Enamel coated evaporator coil
 - One epoxy coated shelf per section is standard
 - Anodized aluminum shelf supports adjustable in 1/2" increments
 - Standard with 4" casters (two with brakes)
- Three year parts and labor warranty
- Five year compressor warranty
- 8 ft. cord and plug



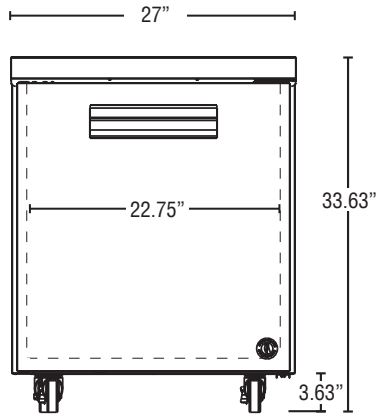
CRMF27

Commercial Series Undercounter Freezer



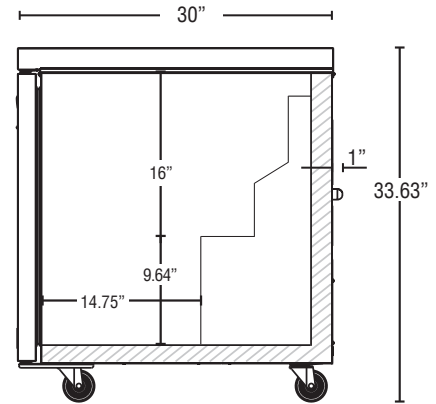
CRMF27
09/18/17
Item # 13287

FRONT VIEW



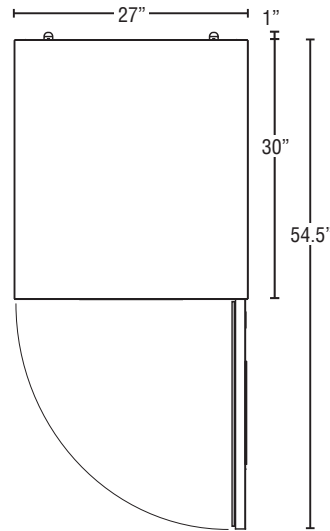
CRMF27

SIDE VIEW



CRMF27

PLAN VIEW



CRMF27

Cabinet Construction

The exterior cabinet top, front, and sides, are constructed of high quality stainless steel. The exterior back and bottom are constructed of coated steel. The cabinet interior features stainless steel back, sides, and floor with a stainless steel top. One heavy duty epoxy coated shelf per section is standard. Mounted on anodized aluminum pilasters the shelves are adjustable in $\frac{1}{2}$ " increments. Cabinet walls and doors are insulated with 2" of environmentally friendly, CFC free, foamed in place polyurethane. 4" polyolefin, stem casters (two with brakes) are standard.

Door Construction

Doors are constructed of high grade stainless steel exterior with an ABS interior liner. Hoshizaki's exclusive "stepped" design protects the gasket while product is removed from the cabinet. Doors are provided with a one piece, extruded aluminum, flush mount handle. Spring assisted self-closing doors are equipped with a stay open feature past 90 degrees. Snap-in magnetic door gaskets are durable and easily removed for cleaning. Field reversible door hinging is standard and does not require a kit.

Refrigeration System

The high efficiency refrigeration system is self-contained with an enamel coated evaporator for extended life. Condensate removal is accomplished with an energy efficient non-electric evaporation system. A capillary tube controls the flow of environmentally friendly R-134a refrigerant through the evaporator. Unit is provided with an automatic time heated defrost to remove any ice on the evaporator coil. 115 volt units are equipped with an eight foot cord and plug (20.0 amps or less).

Printed in the U.S.A.