

Conserver® XL2

Project _____
 Item _____
 Quantity _____
 CSI Section 11400 _____
 Approval _____
 Date _____

Conserver® XL2

Models

- Conserver® XL2 Conserver® XL2-CMR Conserver® XL2-CML



Standard Features

- Electromechanical timer
- Built in waste accumulator
- 3" (76mm) stainless steel adjustable bullet feet
- Delimer switch for easy removal of hard water deposits
- Removable scrap screen
- Air gap instead of vacuum breaker
- Door switch
- Convenient top mounted controls
- Auto start
- Interchangeable upper and lower stainless steel wash/rinse arms
- Internal sump saves space
- Wash/rinse thermometer
- Low product indicator light

Mandatory Specs

- Specify voltage _____

Options

- 50Hz Cycle
 Water Hammer Arrestor
 Scaltrol
 Flanged Feet
 Audible Low Product Alarm

Accessories

- 36-Compartment Rack
 4-1/8" tall (105 mm)
 5-5/8" tall (143 mm)
 7" tall (178 mm)
 Combination Rack
 Peg Rack

Specifications

Uses 1.17 gallons (4.43 liters) of water per rack

74 racks per hour

Single point electrical connection

Self-draining stainless steel pump eliminates soil/detergent carryover between wash and rinse cycles

Dump and fill feature disposes of dirty water, replacing it with a fresh water rinse every cycle

Dual-point drain connections allow for versatile installations

17-1/4" (438mm) vertical inside clearance

Built-in chemical pumps and priming switches

Accommodates two racks side by side

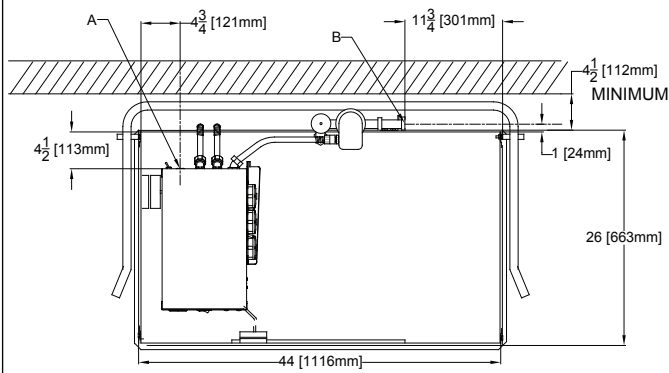
Durable stainless steel construction



Intertek



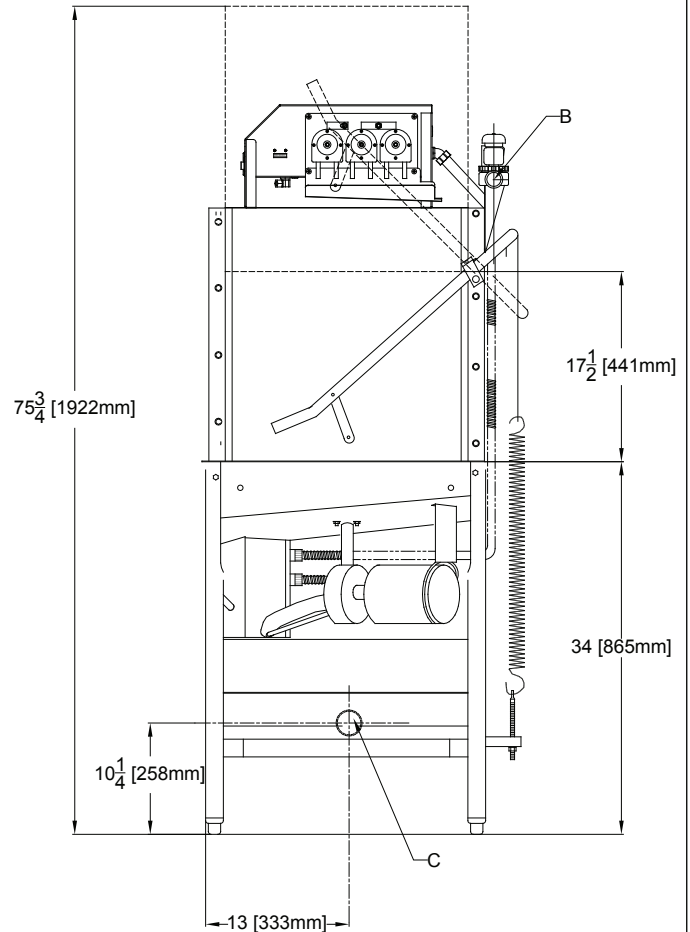
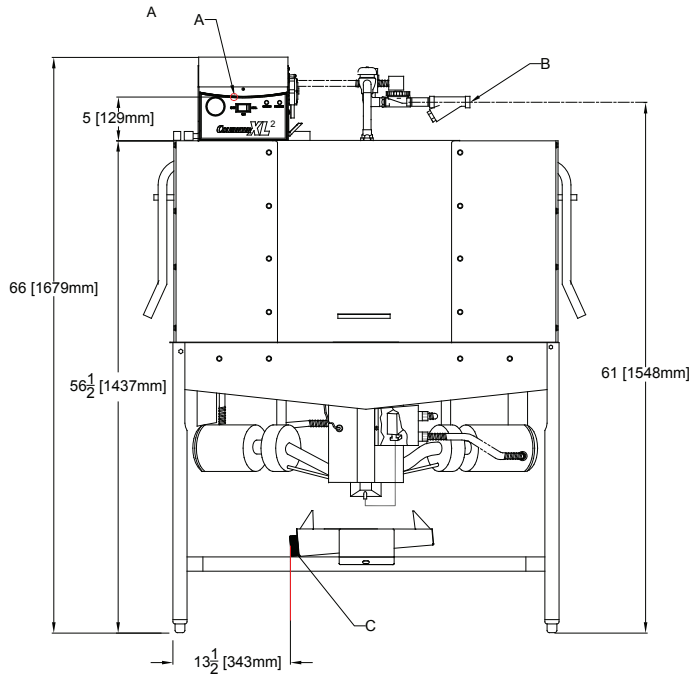
Conserver® XL2



LEGEND

- A - ELECTRICAL CONNECTION
- B - WATER INLET, 3/4" NPT
- C - DRAIN CONNECTION, 2" NPT

ALL DIMENSIONS ARE +/- 1/2" FROM FLOOR DUE TO ADJUSTABLE BULLET FEET.



POWER REQUIREMENTS

MODEL NO.	ELECTRICAL REQUIREMENT	SERVICE BREAKER SIZE
Conserver® XL2	115v/60~1ø-22.8A	30A

WATER REQUIREMENTS

	MINIMUM	RECOMMENDED
Inlet Temperature	120°F 48.9°C	140°F 60°C
Wash Operating Temperatures	120°F 48.9°C	140°F 60°C
Rinse Operating Temperatures	120°F 48.9°C	140°F 60°C

PERFORMANCE CAPABILITIES

Flow Pressure (PSI)	15-25
Wash Pump Motor Horsepower	1
Pump Capacity (GPM)	55
Minimum Chlorine Required (PPM)	50

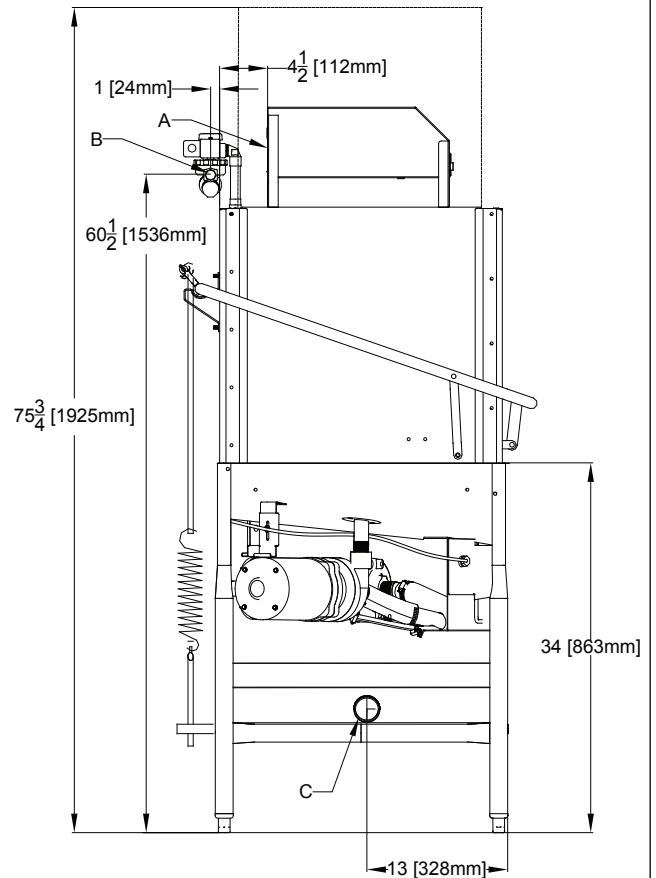
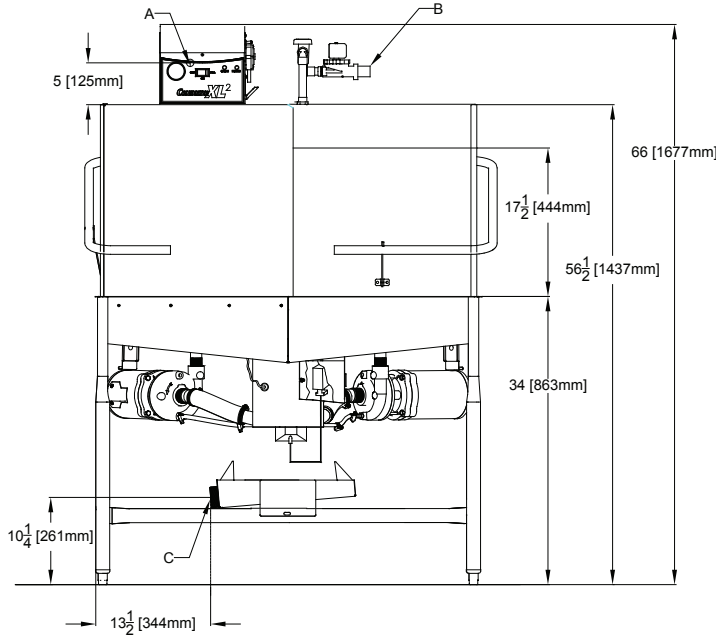
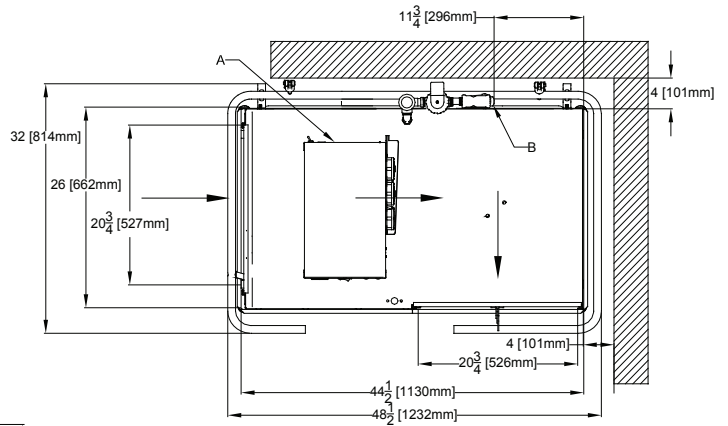
MODEL NO.	MACHINE DIMENSIONS			DRAIN HEIGHT	SHIPPING INFORMATION					
	HEIGHT	WIDTH	DEPTH		WEIGHT	CLASS	CUBE	HEIGHT	WIDTH	DEPTH
Conserver® XL2	68-1/2" (1740 mm)	50-1/2" (1286 mm)	25" (635 mm)	11-1/4" (283 mm)	360 lbs (164 kg)	300	98.96 cu. ft.	75" (1905 mm)	60" (1524 mm)	38" (966 mm)

HOW TO SPECIFY: Conserver® XL2

LEGEND

- A - ELECTRICAL CONNECTION
- B - WATER INLET, 3/4" NPT
- C - DRAIN CONNECTION, 2" NPT

ALL DIMENSIONS ARE +/- 1/2"
FROM FLOOR DUE TO
ADJUSTABLE BULLET FEET.



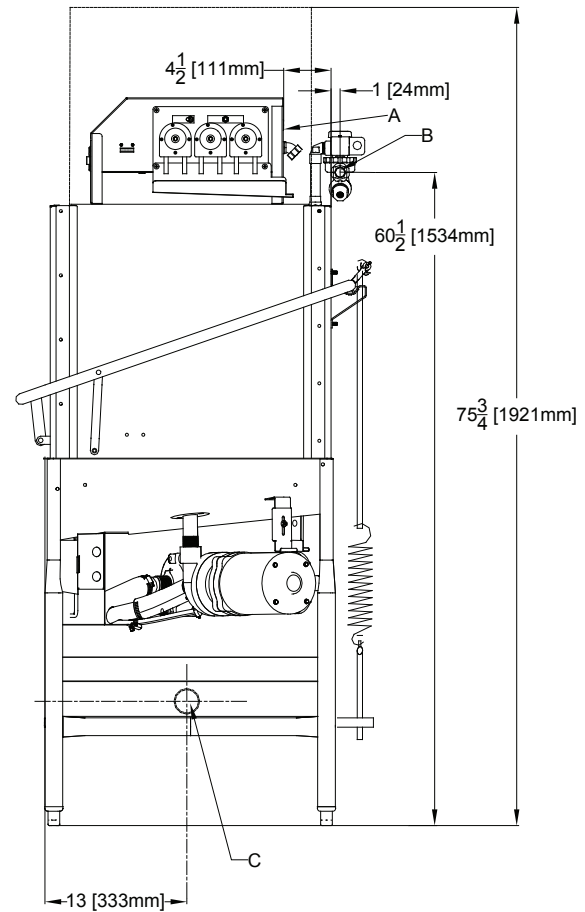
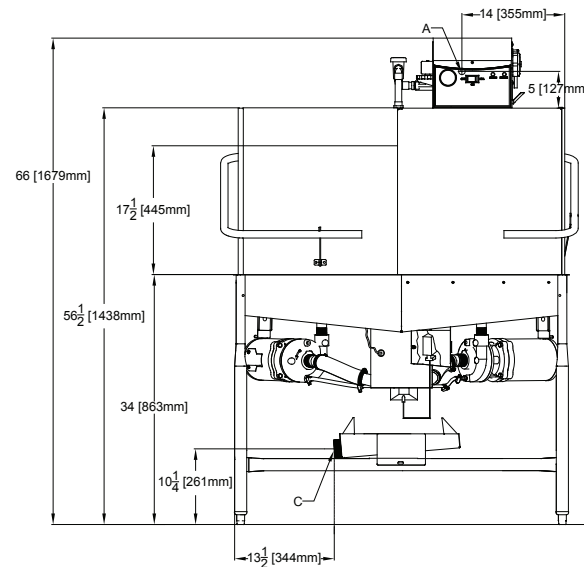
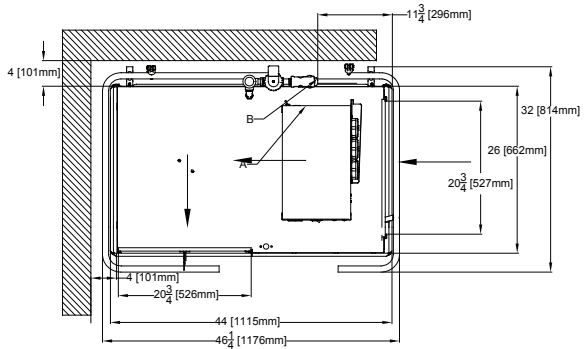
POWER REQUIREMENTS		
MODEL NO.	ELECTRICAL REQUIREMENT	SERVICE BREAKER SIZE
Conserver® XL2-CMR	115v/60~1ø-22.8A	30A

WATER REQUIREMENTS		
	MINIMUM	RECOMMENDED
Inlet Temperature	120°F 49°C	140°F 60°C
Wash Operating Temperatures	120°F 49°C	140°F 60°C
Rinse Operating Temperatures	120°F 49°C	140°F 60°C

PERFORMANCE CAPABILITIES	
Flow Pressure (PSI)	15-25
Wash Pump Motor Horsepower	1
Pump Capacity (GPM)	55
Minimum Chlorine Required (PPM)	50

MODEL NO.	MACHINE DIMENSIONS			DRAIN HEIGHT	SHIPPING INFORMATION					
	HEIGHT	WIDTH	DEPTH		WEIGHT	CLASS	CUBE	HEIGHT	WIDTH	DEPTH
Conserver® XL2-CMR	68-1/2" (1740 mm)	48-1/2" (1232 mm)	25" (635 mm)	11-1/4" (283 mm)	360 lbs (164 kg)	300	98.96 cu. ft.	75" (1905 mm)	60" (1524 mm)	38" (966 mm)

HOW TO SPECIFY: Conserver® XL2-CMR



LEGEND

- A - ELECTRICAL CONNECTION
- B - WATER INLET, 3/4" NPT
- C - DRAIN CONNECTION, 2" NPT

ALL DIMENSIONS ARE +/- 1/2" FROM FLOOR DUE TO ADJUSTABLE BULLET FEET.

POWER REQUIREMENTS		
MODEL NO.	ELECTRICAL REQUIREMENT	SERVICE BREAKER SIZE
Conservor® XL2-CML	115v/60~1ø-22.8A	30A

WATER REQUIREMENTS		
	MINIMUM	RECOMMENDED
Inlet Temperature	120°F 49°C	140°F 60°C
Wash Operating Temperatures	120°F 49°C	140°F 60°C
Rinse Operating Temperatures	120°F 49°C	140°F 60°C

PERFORMANCE CAPABILITIES	
Flow Pressure(PSI)	15-25
Wash Pump Motor Horsepower	1
Pump Capacity (GPM)	55
Minimum Chlorine Required (PPM)	50

MODEL NO.	MACHINE DIMENSIONS			DRAIN HEIGHT	SHIPPING INFORMATION					
	HEIGHT	WIDTH	DEPTH		WEIGHT	CLASS	CUBE	HEIGHT	WIDTH	DEPTH
Conservor® XL2-CML	68-1/2" (1740 mm)	48-1/2" (1232 mm)	25" (635 mm)	12" (305 mm)	360 lbs (164 kg)	300	98.96 cu. ft.	75" (1905 mm)	60" (1524 mm)	38" (966 mm)

HOW TO SPECIFY: Conservor® XL2-CML

Jackson WWS, Inc.
 Shipping Address: 6209 North U.S. Highway 25E, Gray, KY 40734
 Mailing Address: P.O. Box 1060, Barbourville, KY 40906
 Telephone: 888-800-5672 • Fax: 606-523-1799
 Email: info@jacksonwws.com
 07610-002-66-64 [03/01/17]

www.jacksonwws.com

We reserve the right to change specifications in this bulletin without incurring any obligation for equipment previously or subsequently sold.