

TempStar® HH-E

Project _____
 Item _____
 Quantity _____
 CSI Section 11400
 Approval _____
 Date _____

TempStar® HH-E

Models

TempStar® HH-E



Standard Features

- 20-3/4" wide X 27" high (527mm X 686mm) opening accommodates 18" X 26" (457mm X 660mm) sheet pans and 60-quart mixing bowls
- Sani-Sure™ feature assures proper rinse water temperature
- Multi-cycle timer (Extra Heavy, Heavy, Medium, Normal)
- Auto-fill / auto-start
- Door switch
- Delime/manual wash switch
- Low watt density electric wash tank heater
- Hi-limit thermostat and low water protection
- Vent fan control shuts fan off when machine is idle
- Adjustable bullet feet
- Uses standard 20" X 20" (508 mm X 508 mm) racks
- Front dress panel
- Detergent/rinse additive signal connection fuse box
- Built-in 70° F (38.9° C) rise booster heater is standard; 40° F (22.2° C) rise booster heater is available but must be specified at time of order
- Lower counter-rotating wash arms and upper wash arm provide optimum spray coverage and superior cleaning action
- Self-draining stainless steel pump
- Split-door design accommodates installations with low ceiling heights
- Large scrap basket

Mandatory Specs

- Specify:
- Electric
 Steam
- Specify voltage _____
 Specify booster size _____

Options

- Optional 40° F (22.2° C) rise booster heater is available at no additional cost (must be specified)
- Drain Quench System
 Scaltrol
 1/2" Pressure Regulator
 Flanged Feet
 Water Hammer Arrestor
 480V Electrical
 Single Phase
 Security Package
 False Panel
 Door Interlock
 Steam Booster Heater

Accessories

- 36-Compartment Rack
- 4-1/8" tall (105 mm)
 - 5-5/8" tall (143 mm)
 - 7" tall (178 mm)
- Combination Rack
 Peg Rack
 Sheet Pan Rack - for 18" X 26" (457mm X 660mm) baking pans

Specifications

Uses 0.72 gallons (2.73 liters) of 180°F (82°C) water per rack

Total automatic (normal) cycle - 60 seconds

55 racks per hour (normal) cycle

2 HP Wash Pump Motor

Single point connections for all utilities

Field convertible from straight through to corner and vice versa

Durable stainless steel construction



Intertek



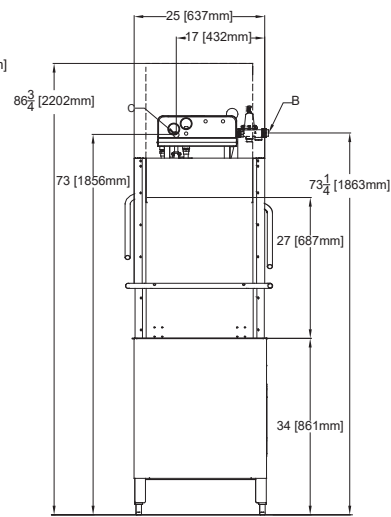
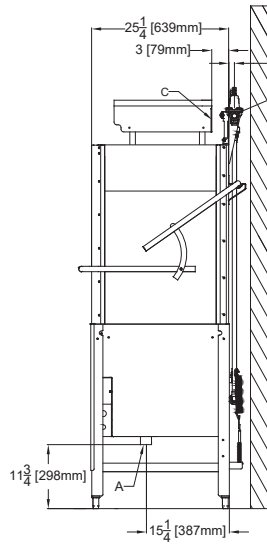
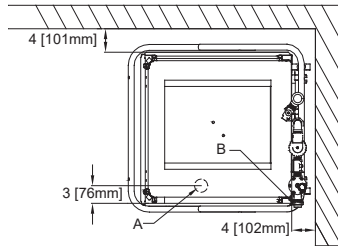
Intertek



LEGEND

- A - DRAIN 1 1/2" IPS
- B - WATER INLET 1/2" IPS
- C - ELECTRICAL CONNECTION

All vertical dimensions are +/- 1/2" due to adjustable bullet feet.



MODEL NO.	MACHINE DIMENSIONS			DRAIN HEIGHT	SHIPPING INFORMATION					
	HEIGHT	WIDTH	DEPTH		WEIGHT	CLASS	CUBE	HEIGHT	WIDTH	DEPTH
TempStar® HH-E	76-3/4" (1949 mm)	25-1/4" (641 mm)	25-1/4" (641 mm)	11-3/4" (298 mm)	393 lbs (179 kg)	200	66.27 cu. ft.	82.625" (2099 mm)	33" (839 mm)	42" (1067 mm)

DIMENSION REQUIREMENTS	
Minimum Ceiling Height (recommended)	88" (2 meters)
Wall Clearance (minimum)	4" (102 mm)
Standard Table Height	34" (864 mm)
Inside Clearance	27" (686 mm)
Machine Height with Door Open	86-3/4" (2202 mm)

STEAM REQUIREMENTS	
Steam Flow Pressure (PSIG)	15-20
Consumption @ 15 PSIG (lbs/hr)	45

OPERATING CAPACITY				
Racks per Hour	Normal 55	Medium 28	Heavy 19	Extra Heavy 11
OPERATING CYCLE (seconds)	Wash	Rinse	Dwell	Total Cycle
Normal	40	10	10	60
Medium	103	10	10	123
Heavy	163	10	10	183
Extra Heavy	283	10	10	303

WATER REQUIREMENTS	
Inlet Temperature	
40°F (22.2°C) Rise	140°F (60°C)
70°F (38.9°C) Rise	110°F (43°C)
No Booster	180°F (82°C)
Gallons per Hour	39.6 gal (150 L)
Gallons per Rack	0.72 gal (2.73L)
Waterline Size IPS (minimum)	1/2"
Drainline Size IPS (minimum)	1- 1/2"
Flow Pressure (PSI)	10
Tank Capacity	3 gal (11 L)
Wash Tank Capacity	8 gal (30 L)
Booster Tank Capacity	3 gal (11 L)

OPERATING TEMPERATURES	
Wash (minimum)	150° F (66° C)
Rinse (minimum)	180° F (82° C)

APPROXIMATE LOAD AMPS				
	No Booster	40°F (22.2°C) Rise	70°F (38.9°C) Rise	Steam
Power Supply	AMPS	AMPS	AMPS	AMPS
208V/60HZ/1PH	30.9	74.2	81.4	12A
208V/60HZ/3PH	22.6	47.6	51.8	12A
230V/60HZ/1PH	33.0	80.9	89.0	12A
230V/60HZ/3PH	23.8	51.4	56.2	12A
460V/60HZ/3PH	9.6	23.4	25.8	

WASH PUMP MOTOR		
Wash Pump Motor Horsepower		2 HP
	Volts	KW
Electric Wash Tank Heater	208V	4.1
	230V	5.0
	460V	5.0
Electric Rinse Tank Heater - 40°F (22.2°C) Rise	208V	9.0
	230V	11.0
	460V	11.0
Electric Rinse Tank Heater - 70°F (38.9°C) Rise	208V	10.5
	230V	12.9
	460V	12.9

HOW TO SPECIFY: TempStar® HH-E

Jackson WWS, Inc.
 Shipping Address: 6209 North U.S. Highway 25E, Gray, KY 40734
 Mailing Address: P.O.Box 1060, Barbourville, KY 40906
 Telephone: 888-800-5672 • Fax: 606-523-1799
 Email: info@jacksonwws.com
 07610-004-50-08 [09/15/17]

www.jacksonwws.com