

RF-77

Barrel Freezer



RF 77

- Optional graphics (shown)
- Powerful Impulse Merchandiser
- Economical Plug-in



Profit from the Power of Partnership.

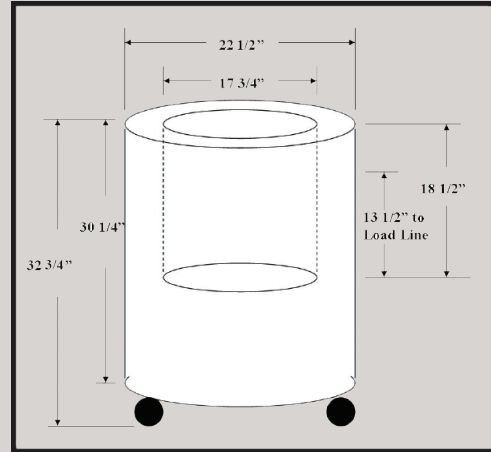
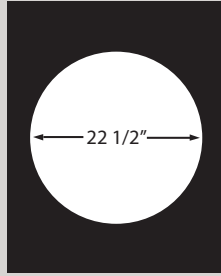
800.441.4014

www.excellenceindustries.com

RF-77 Barrel Freezer



Make a
BIG impression
in a small footprint



Technical Summary

| Model | Size | | | Electrical | | | Refrigeration | | Other | | |
|-------|--|------------|-------------------|------------------------|------------------|--------------|---------------|---------------|-------------|-------------|--------------------|
| | Dimensions (inches) Length x Depth x Height | Cubic Feet | Net Weight (lbs.) | Shipping Weight (lbs.) | Voltage/Hz/Phase | Running Amps | KWh/24hr | Compressor HP | Refrigerant | Temperature | Container Quantity |
| RF-77 | 22 1/2 x 22 1/2 x 32 3/4 | 2.5 | 64 | 73 | 115/60/1 | 2.1 | 1.2 | 2/7 | R-134a | 0° to -13°F | 240 |

SPECIAL FEATURES

- Cylinder shaped - looks great anywhere!
- Divider: 4 sections
- Flip top accessible from any angle/side
- Makes a big impression in a small footprint (only 22")
- Adjustable thermostat
- Casters standard
- Optional graphics



Profit from the Power of Partnership.

Excellence Industries is a division of Stajac Industries, Inc. The company reserves the right to change the design and/or specifications of these products without notice. Printed in the U.S.A. (7/14)

Innovation
Logistics
Distribution
Leasing
Service
Refurbishing
Recycling

3710 Corporex Park Drive, Ste. 100 | Tampa, FL 33619 | 800.441.4014

www.excellenceindustries.com