

robot *coupe*®



J80 Ultra • J100 Ultra

Robot-coupe USA. Inc.

P.O. Box 16625, Jackson, MS 39236-6625 - 264 South Perkins St., Ridgeland, MS 39157
e-mail: info@robotcoupeusa.com - website: www.robotcoupeusa.com - Phone : 1-800-824-1646



OPERATING INSTRUCTIONS

MANUAL DE INSTRUCCIÓN

NOTICE D'INSTRUCTION

We reserve the right to alter at any time without notice the technical specifications of this appliance.
None of the information contained in this document is of a contractual nature. Modifications may be made at any time.
© All rights reserved for all countries by: ROBOT-COUBE s.n.c.

Nos reservamos el derecho de modificar en todo momento y sin previo aviso las características técnicas de este aparato.
Las informaciones que figuran en este documento no son contractuales y pueden ser modificadas en todo momento.
© Todos los derechos reservados para todos los países por : ROBOT-COUBE s.n.c.

Nous nous réservons le droit de modifier à tous moments et sans préavis les caractéristiques techniques de cet appareil.
Les informations figurant dans ce document ne sont pas contractuelles et peuvent être modifiées à tout moment.
© Tous droits réservés pour tous pays par : ROBOT-COUBE s.n.c.

IMPORTANT WARNING



WARNING: In order to limit accidents such as electric shocks, personal injury or fire, and in order to limit material damage due to misuse of the appliance, please read these instructions carefully and follow them strictly. Reading the operating instructions will help you get to know your appliance and enable you to use the equipment correctly. The operation manual should be kept within easy access to all users for reference and should be read completely by all first time users of the machine.

UNPACKING

- Carefully remove the appliance from its packaging, together with all the boxes or packets containing the accessories or specific items of equipment.
- **WARNING:** the blades and discs are extremely sharp.

INSTALLATION

- We recommend that you install your appliance on a clean and completely stable countertop at a comfortable working height.

CONNECTION

- Always check that your power supply corresponds to that indicated on the serial number plate and that it is properly sized.

ASSEMBLY PROCEDURES

- Make sure you follow the assembly instructions in the right order (see following pages) and check that all the accessories are correctly positioned.

USE

- **Never remove the lid until the motor and basket have come to a complete standstill.**

- **Never insert anything other than fruit or vegetables into the feed tube.**
- **The lid of your appliance features a unique Auto Feed system. Simply feed the fruit or vegetables into the tube and let the machine do the rest.**
- **If a blockage occurs inside the feed tube, NEVER use any object other than the pusher to clear it.**
- **Never insert your hand into the ejection chute. If the ejector becomes blocked, switch your J 80 Ultra/J 100 Ultra juicer off and wash the lid under the tap.**
- **Never leave the machine running unattended.**

CLEANING

- **Always unplug your machine before cleaning.**
- **Always clean the machine and attachments at the end of each use.**
- **Never clean the machine with a pressure washer or foam lance.**
- **Never place the motor unit in water.**
- **Be sure to use the appropriate detergent for each part (stainless steel or plastic).**

- **For plastic parts, do not use detergents that are too alkaline (i.e., containing too much caustic soda or ammonia...).**
- **The bowl, lid and pulp container are all dishwasher-safe. However, to prolong their lifespan, we advise hand-washing them with a domestic washing-up liquid.**
- **Robot Coupe can in no way be held responsible for the user's failure to follow the basic rules of cleaning and maintenance.**

MAINTENANCE

- **Always unplug the appliance before servicing.**
- **The watertightness of the motor shaft needs to be monitored on a regular basis. At the same time, check that the safety system is working properly.**
- **WARNING: never switch your appliance on if the power cord or plug has been damaged.**
- **If the appliance is not working properly or has been damaged in any way, unplug it and have it overhauled.**
- **Do not hesitate to call your ROBOT-COUCPE-approved after-sales service if you notice a fault.**

CONTENTS

■	WARRANTY	■	CLEANING
■	IMPORTANT WARNING	■	TECHNICAL SPECIFICATIONS
■	YOU HAVE JUST ACQUIRED A CENTRIFUGAL JUICER J80 Ultra • J100 Ultra	■	SAFETY
■	SWITCHING ON THE MACHINE	■	TROUBLESHOOTING
■	ASSEMBLY J80 Ultra	■	SERVICE
■	ASSEMBLY J100 Ultra	■	RECIPES (page 15)
■	DIFFERENT CONFIGURATIONS	■	TECHNICAL DATA (page 51)
■	RECOMMENDATIONS FOR USE		<ul style="list-style-type: none">• Electrical diagram• Parts diagram• 39910 basket assembly sheet

ROBOT COUPE USA. Inc. LIMITED WARRANTY

YOUR NEW ROBOT COUPE PRODUCT IS WARRANTED TO THE ORIGINAL PURCHASER FOR A PERIOD OF ONE YEAR FROM THE DATE OF PURCHASE.

This LIMITED WARRANTY is against defects in the material and/or workmanship, and includes labor for replacement of defective parts, provided repairs are performed by an authorized Service Agency.

The Customer must inform the Service Agency of the possibility of warranty coverage and provide a copy of the dated sales or delivery receipt BEFORE WARRANTY REPAIRS ARE BEGUN.

Replacement parts and accessories are warranted for ninety (90) days from the date of purchase when purchased separately and will be verified by dated sales receipt OR packing slip which lists that item.

All parts or accessories replaced under warranty must be returned to the Service Agency.

THE FOLLOWING ARE NOT COVERED BY THE ROBOT COUPE USA. Inc. LIMITED WARRANTY:

- 1** - Damage caused by abuse, misuse, dropping, or other similar damage caused by or resulting from failure to follow assembly, operating, cleaning, user maintenance or storage instructions.
- 2** - Labor to sharpen and/or replacements for blades that have become blunt, chipped or worn after a normal or excessive period of use.
- 3** - Materials or labor to replace or repair scratched, stained, chipped, pitted, dented or discolored surfaces, blades, knives, attachments or accessories.
- 4** - Any alteration, addition, or repair that has not been carried out by the company or an approved Service Agency.
- 5** - Transportation of the appliance to or from an approved Service Agency.
- 6** - Labor charges to install or test new attachments or accessories (i.e., bowls, plates, blades, attachments), which have been replaced for any reason.

7 - The cost of changing direction-of-rotation of three-phase electric motors (Installer is responsible).

8 - SHIPPING DAMAGES. Visible and/or hidden damage is the responsibility of the freight carrier. The consignee must inform the carrier and consignor immediately, or upon discovery in the case of hidden defects.

KEEP ALL ORIGINAL CONTAINERS AND PACKING MATERIALS FOR CARRIER INSPECTION.

Neither ROBOT COUPE USA. Inc. nor its affiliated companies or any of its distributors, directors, agents, employees, or insurers will be liable for indirect damage, losses, or expenses linked to the appliance or the inability to use it.

The ROBOT COUPE USA. Inc. warranty is given expressly and in lieu of all other warranties, expressed or implied, for merchantability and for fitness toward a particular purpose and constitutes the only warranty made by ROBOT COUPE USA. Inc.

IMPORTANT WARNING



WARNING: In order to limit accidents such as electric shocks, personal injury or fire, and in order to limit material damage due to misuse of the appliance, please read these instructions carefully and follow them strictly. Reading the operating instructions will help you get to know your appliance and enable you to use the equipment correctly. The operation manual should be kept within easy access to all users for reference and should be read completely by all first time users of the machine.

UNPACKING

- Carefully remove the appliance from its packaging, together with all the boxes or packets containing the accessories or specific items of equipment.
- **WARNING:** the blades and discs are extremely sharp.

INSTALLATION

- We recommend that you install your appliance on a clean and completely stable countertop at a comfortable working height.

CONNECTION

- Always check that your power supply corresponds to that indicated on the serial number plate and that it is properly sized.

ASSEMBLY PROCEDURES

- Make sure you follow the assembly instructions in the right order (see following pages) and check that all the accessories are correctly positioned.

USE

- **Never remove the lid until the motor and basket have come to a complete standstill.**

- **Never insert anything other than fruit or vegetables into the feed tube.**
- **The lid of your appliance features a unique Auto Feed system. Simply feed the fruit or vegetables into the tube and let the machine do the rest.**
- **If a blockage occurs inside the feed tube, NEVER use any object other than the pusher to clear it.**
- **Never insert your hand into the ejection chute. If the ejector becomes blocked, switch your J 80 Ultra/J 100 Ultra juicer off and wash the lid under the tap.**
- **Never leave the machine running unattended.**

CLEANING

- **Always unplug your machine before cleaning.**
- **Always clean the machine and attachments at the end of each use.**
- **Never clean the machine with a pressure washer or foam lance.**
- **Never place the motor unit in water.**
- **Be sure to use the appropriate detergent for each part (stainless steel or plastic).**

- **For plastic parts, do not use detergents that are too alkaline (i.e., containing too much caustic soda or ammonia...).**
- **The bowl, lid and pulp container are all dishwasher-safe. However, to prolong their lifespan, we advise hand-washing them with a domestic washing-up liquid.**
- **Robot Coupe can in no way be held responsible for the user's failure to follow the basic rules of cleaning and maintenance.**

MAINTENANCE

- **Always unplug the appliance before servicing.**
- **The watertightness of the motor shaft needs to be monitored on a regular basis. At the same time, check that the safety system is working properly.**
- **WARNING: never switch your appliance on if the power cord or plug has been damaged.**
- **If the appliance is not working properly or has been damaged in any way, unplug it and have it overhauled.**
- **Do not hesitate to call your ROBOT-COUPÉ-approved after-sales service if you notice a fault.**

YOU HAVE JUST ACQUIRED A CENTRIFUGAL JUICER J80 Ultra • J100 Ultra

Stable and sturdy, the **J80 Ultra/J100 Ultra** juicer can produce **any number of 100% natural juices on demand** and in next to no time!

The **J80 Ultra/J100 Ultra** juicer is ideal for making fresh juices from vegetables and locally grown or exotic fruit, as well as sophisticated cocktails, all totally pure and natural.

It therefore has applications in bars, restaurants, canteens, institutions and day nurseries, as well as in healthcare settings and in the production of dietetic foods, where fresh fruit and vegetable juices play a key role.

Fruit and vegetables, especially when they are raw, represent a valuable source of the vitamins, minerals and fibers our bodies need to stay healthy. Vegetable juices contain mainly mineral salts, while fruit juices are packed full of vitamins to boost our energy.

MINERAL SALTS

Not all foods contain the same mineral salts.

Some minerals, such as potassium, magnesium, sulphur and sodium chloride (salt) are so widespread that a varied diet will always ensure a sufficient intake. For some minerals, however, it is useful to know which are the best sources.

Calcium : fruit and green vegetables.

Phosphorus : pulses.

Potassium : fresh vegetables.

Iron : spinach, parsley.

Iode : all plants.

TABLE OF VITAMINS IN FRUIT

Vitamins	B1	C	A	D
Apple	•	•		•
Apricot	•	•	•	•
Blackberry	•	•	•	•
Blackcurrant	•	•		•
Cherry	•	•	•	•
Grape	•	•		•
Grapefruit	•	•	•	•
Kiwi fruit	•	•	•	•
Lemon	•	•	•	•
Melon	•	•		•
Orange	•	•	•	•
Peach	•	•		•
Pear	•	•		•
Pineapple	•	•	•	•
Plum	•	•		•
Raspberry	•	•		•
Redcurrant	•	•		•
Strawberry	•	•		•

TABLE OF VITAMINS IN VEGETABLES

Vitamins	B1/B6	A	E	K
Asparagus	•		•	
Cabbage	•	•	•	•
Carrot	•	•	•	
Celeriac	•			
Celery		•	•	•
Chicory	•			
Courgette	•	•	•	
Cucumber	•	•	•	
Fennel	•		•	
Lettuce	•		•	
Onion	•			
Parsley	•	•	•	
Pepper	•	•	•	
Spinach	•	•	•	•
Tomato	•	•		
Turnip	•			
Watercress	•	•	•	

Your appliance's straightforward design means that the parts which most frequently need to be handled for cleaning or aftercare can be removed in no time at all.

To make life even easier for you, these instructions guide you through each of the assembly operations, broken down into simple steps.

These instructions for use contain important information aimed at enabling users to derive the maximum benefit from their juicer.

We therefore strongly advise you to read through them carefully before you start to use your appliance.

SWITCHING ON THE MACHINE

Before connecting your appliance to the mains, check that the voltage of your power supply matches that indicated on your appliance's identification plate.

The **J80 Ultra/J100 Ultra** juicer is equipped with a power cord fitted with a standard single-phase plug.

Check the machine carefully on arrival to ensure that it has not been damaged during transport or unpacking.

Pay particular attention to the power cord and plug.



WARNING

THIS APPLIANCE MUST BE PLUGGED INTO AN EARTHED SOCKET (RISK OF ELECTROCUTION).

ASSEMBLY J80 Ultra

Feed tube

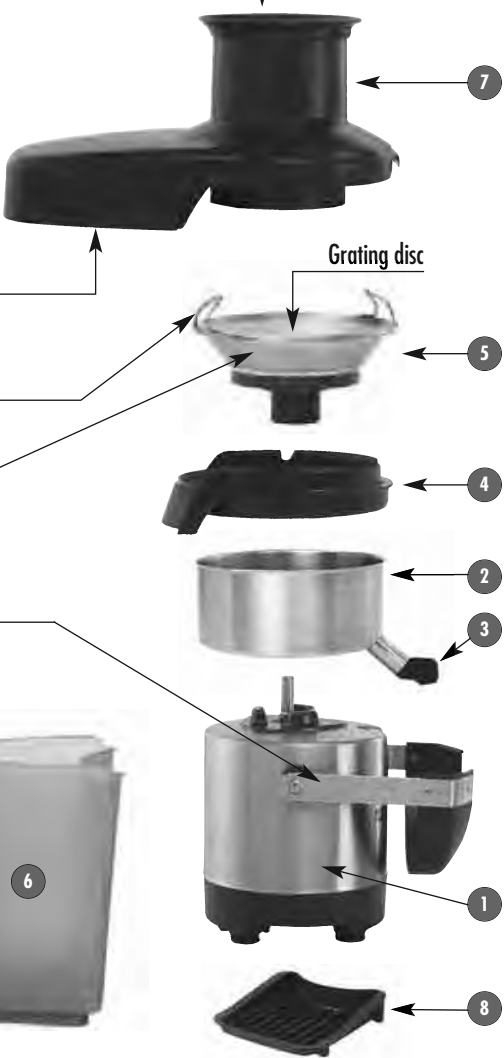


Ejector

Handles

Sieve

Safety arm



1 Motor unit

2 Bowl

3 Spout

4 Flange

5 Basket

6 Pulp container

7 Lid

8 Drip tray



1) Position the motor unit so that the On/Off buttons are facing you.



2) Place the bowl on top of the motor unit.



3) Fit the flange onto the rim of the bowl.
The ribs of the flange should be lined up with the flat panel of the bowl. Check that the flange is correctly fitted.



4) Lower the basket into place, holding it by its handles.
Rotate it until it slots into place.



5) Line the lid up with the notches in the flange



IMPORTANT

Make sure that the pin on the motor shaft is correctly lined up with the corresponding notch in the basket hub.

You can also refer to the label (below) stuck to the lid.





6) Position the **pulp container**.



7) Close the safety arm.

To start the machine, press the On button 1. The juicer will not start unless the safety arm has been closed properly (safety switch).

Place a jug underneath the spout. Your juicer is now ready to go!

ASSEMBLY J 100 Ultra



1) Position the motor unit so that the On/Off buttons are facing you.



2) Place the bowl on top of the motor unit.



3) Fit the flange onto the rim of the bowl. The ribs of the flange should be lined up with the flat panel of the bowl. Check that the flange is correctly fitted.



4) Lower the basket into place, holding it by its handles. Rotate it until it slots into place.



5) Line the lid up with the notches in the flange



IMPORTANT

Make sure that the pin on the motor shaft is correctly lined up with the corresponding notch in the basket hub.

You can also refer to the label (below) stuck to the lid.



6) Two possible uses:

- **Continuous pulp ejection.**



Position the continuous **pulp ejection chute** in the hole in the booster base.

Remember to place a bin (not supplied) directly beneath this chute.

- **Ejection of pulp into the closed pulp container.**



Position **the pulp container**.



7) Close the safety arm.

To start the machine, press the On button 1. The juicer will not start unless the safety arm has been closed properly (safety switch).

Place a jug underneath the spout. Your juicer is now ready to go!

8) Using the **strap** (see page 9) - (Option)



If you have positioned your juicer on the edge of a countertop, attach the ejection chute to the **lid** using the **strap** supplied with the appliance.

DIFFERENT CONFIGURATIONS

The **J 100 Ultra** juicer comes supplied with all the accessories you will need and is designed to adapt itself to your particular needs and work setting.

For example, it can be configured to suit the characteristics of your work station:

- Install the **booster base 10** if you are going to use tall containers to collect the juice (see page 9).
- In normal usage, you can process more than ten kilos (according to the nature of the produce) before you need to empty the **pulp container 6** (see page 9).
- For high-volume juicing, the **ejection chute 7** (see page 9) does away with the need to empty the pulp container. If you opt for this configuration, make sure you place a large bin (not supplied) directly below the chute.

There are two solutions for this configuration:








1) Make a **4-inch Ø** hole in the worktop through which the **ejection chute 7** can protrude (see photos opposite). This is the best solution in terms of efficient worktop organization.

2) Worktop edge.

When positioning the machine on the edge of the worktop, use the markers on either side of the **booster base 10** (see page 9) as your guide.


Warning: to avoid the risk of the machine falling off the worktop, make sure that it is correctly positioned.

- Summary of all the different possible configurations, according to the nature of the work station and the height of the juice containers (for information only):

Container	Booster base 10 use (see p. 9)	Intensity of use	Example of use	
 <p>Containers Max. height 6.3 inches</p>	Not necessary	Normal	<ul style="list-style-type: none"> • With pulp container 6 (see p. 9) • No worktop cutout required. 	
		Intensive	<ul style="list-style-type: none"> • With ejection chute 7 and strap 9 (see p. 9) • Worktop edge No cutout required 	
 <p>Containers Max. height 9.8 inches</p>	Necessary if container more than 6.3" high	Normal	<ul style="list-style-type: none"> • With pulp container 6 (see p. 9) • No worktop cutout required. 	
		Intensive	<ul style="list-style-type: none"> • With ejection chute 7 and strap 9 (see p. 9) • Worktop edge No cutout required 	
			<ul style="list-style-type: none"> • With ejection chute 7 (see p. 9) • Ejection below worktop. 4-inch hole required in worktop. 	

RECOMMENDATIONS FOR USE

• J 80 Ultra • J 100 Ultra

- Before you use your juicer for the first time, it is a good idea to wash all the parts that will come into contact with food.
- Always check that the **safety arm** has been closed before using your appliance.
- Always place a container under the spout and either **the pulp container** or **the ejection chute** under the ejector after switching your machine on but before you start feeding the fruit or vegetables in.
- Remember to peel citrus fruit before juicing.
-  - **Thick-skinned fruit and vegetables (e.g. pineapples, mangoes) need to be peeled beforehand and any large pips (e.g. melon) removed. Always remove the stones of stone fruit (e.g. peaches, apricots, cherries). Strip grapes from their stalks before juicing.**
- Some foods are not suitable for processing in a juicer, due to their hard consistency (e.g. coconuts).
- **The J 80 Ultra/J 100 Ultra juicer** features a unique patented Auto Feed system which does away with the need of a pusher.
- To make the best use of your **J 80 Ultra/J 100 Ultra juicer** therefore, introduce the ingredients into the feed tube by hand (without **the pusher**), according to throughput.
- Introduce the pieces of fruit or vegetables slowly and in small quantities.
- When all the ingredients have gone through, leave the machine on for a few more seconds to extract every last drop of juice.
- Never put ice cubes or frozen fruit in the feed tube.

- The pulp may become unevenly distributed inside the basket, creating an imbalance. If your juicer starts to vibrate while juicing, switch it off and clean **the basket**. You can then resume juicing.

- Check that **the flange** and **lid** are correctly positioned.

• J 80 Ultra

- With **the J 80 Ultra juicer**, you can make several quarts of juice without having to empty **the pulp container**.

Nonetheless, remember to check the level of the pulp in the **container** on a regular basis.

- Check that **the flange** and **lid** are correctly fitted.

- Always make sure that **the pulp container** has been properly positioned.

• J 100 Ultra


- **J 100 Ultra with pulp container:**

You can make several quarts of juice without having to empty **the pulp container**.

Nonetheless, you should check the level of pulp in the **container** on a regular basis.

- **J 100 Ultra with ejection chute:**

The ejection chute (supplied with your appliance) has been designed specifically to cope with high-volume juicing. With the chute, there is no need to keep on emptying **the pulp container** while juicing.

 - **If you are using your juicer on the edge of a worktop, make sure that all its feet are firmly on the work surface. You must also organize your work station so that there is no risk of the juicer tipping over or falling off.**

NB: If you intend to carry out high-volume juicing every day, it is best to use **the continuous pulp ejection chute**, with or without **the booster base**.

Fruit and vegetable preparation J 80 Ultra • J 100 Ultra

	Preparation
CARROTS	Peeled and left whole, topped and tailed. Feed in 2 or 3 at a time.
APPLES	Washed and left whole (remove stalk and any labels).
STRAWBERRIES	Remove stalks for the taste.
CITRUS FRUIT	Peel all citrus fruit. Oranges and lemons can be left whole.
PINEAPPLES	Peel and cut into eight chunks (3 cuts)
MELONS	Peel and cut into eight chunks.
TOMATOES	Washed and left whole (remove hard green core). Feed in 2 or 3 at a time.
PEPPERS	Washed and cut into quarters lengthwise, according to shape.
CELERIAC	Cut into 2.5-inch chunks
CUCUMBERS	Peeled. Cut into sections measuring approx. 6 inches long.
FENNEL	Cut into 2.5-inch chunks.
GINGER	Cut into pieces to make it easier to feed into the juicer. Do not put too many in at a time, to prevent a blockage.
GRAPES	Remove stalks to avoid bitterness.



WARNING

Always wash fruit and vegetables thoroughly to remove all traces of dirt and pesticides.

CLEANING

- Always unplug the machine before cleaning of any kind
- To rinse the machine out between two different batches of fruit, switch the machine on and pour a glass of drinking water into the feed tube.



- Clean the basket by scrubbing the outside of the filter cone with a brush or scrubber sponge to remove any pulp.

- For more thorough cleaning, remove the bowl flange beforehand.
- Always clean the entire machine after use, washing the flange, bowl, lid and pusher in hot water. Scrub with a brush using an appropriate detergent.
- To avoid damaging the parts, do not tap them against any hard surfaces.

***Tip:** : If the pulp has dried hard onto the basket, immerse the basket into hot water for 5-10 minutes to soften it.



IMPORTANT

Check that your detergent is suitable for use with parts made from plastic or stainless steel. Certain highly alkaline products (e.g. with a high concentration of ammonia or caustic soda) are totally incompatible with some plastics and cause them to deteriorate very quickly.



IMPORTANT

Never immerse the motor unit in water or any other liquid and do not spray!

Do not clean it with a foam lance or pressure washer.

If necessary, wipe the motor unit with a damp cloth.

Always unplug your machine first.

CARACTÉRISTIQUES TECHNIQUES

- **Motor unit** → stainless steel
- **Bowl** → stainless steel
- **Juicer basket** → stainless steel
- **Grating disc** → stainless steel
- **Ventilated electric motor** → constant speed (3400 rpm)
- **Throughput** → **220-260 lb/hour** of fruit or vegetables* for the **J 80 Ultra**.
260-350 lb/hour for the **J 100 Ultra**.

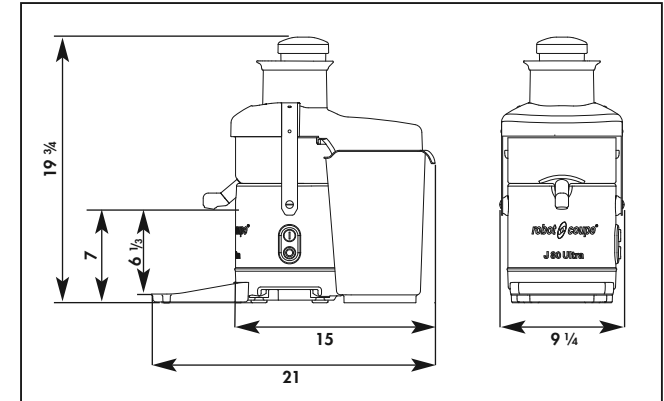
* In optimum working conditions, i.e. a suitable worktop, ready prepared fruit and accessories (jug, bin, etc.) all within easy reach.

• WEIGHT

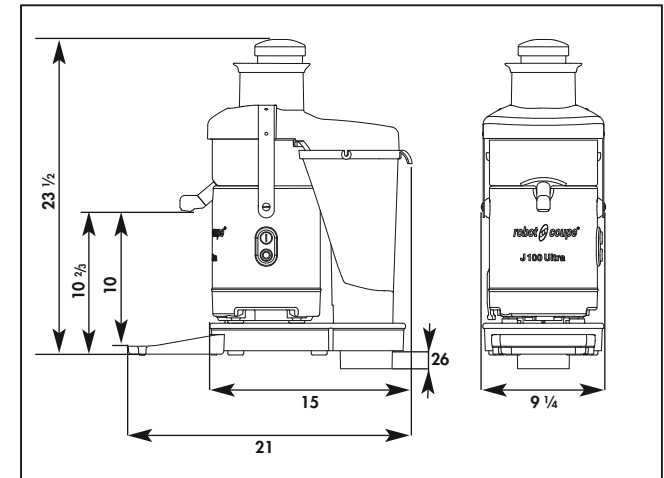
	Net	Gross
J 80 Ultra	24 lbs	28.2 lbs
J 100 Ultra	28.4 lbs	34,4 lbs

• DIMENSIONS (in inches)

J80 Ultra



J 100 Ultra



• WORKING HEIGHT

We advise you to install your **J 80 Ultra/J 100 Ultra centrifugal juicer** on a flat and stable worktop at a suitable height.

• NOISE LEVEL

The equivalent continuous sound level when the juicer is running empty is below 70 dB (A).

• ELECTRICAL DATA

J 80 Ultra

Motor	Speed (rpm)	Power (Watts)	Intensity (Amp.)
120V / 60Hz	3450	700	9

J 100 Ultra

Motor	Speed (rpm)	Power (Watts)	Intensity (Amp.)
120V / 60Hz	3400	850	9

SAFETY

- **The J 80 Ultra/J 100 Ultra juicer** will not start unless **the lid** has been correctly positioned and the safety arm properly locked into place. The motor will switch itself off as soon as you open the safety arm or press the Off button (red button).
- **The J 80 Ultra/J 100 Ultra juicer** is equipped with a powerful electric brake which will shut the machine down in less than 2 seconds if you open the safety arm while the juicer is running.
- To switch your juicer back on, simply fold the safety arm back over **the lid** and press the On button (green button).
- **The J 100 Ultra** is fitted with a thermal protection system which automatically switches the motor off if it remains overloaded for any length of time. If this happens, wait for the appliance to cool down before resetting **the thermal protection** (button on underside of the appliance).

- **WARNING:** never use the appliance without either the pulp container or the continuous ejection chute (for the **J 100 Ultra**).
- Always switch the machine off before removing the pulp container or the continuous pulp ejection chute (for the **J 100 Ultra**).
- Never insert your hand or any object other than the pusher into the ejector if the machine is plugged in or the basket is rotating.
- Never unplug the appliance by tugging on the power cord or with damp hands.



REMEMBER

- **Never try to override the locking or safety systems.**
- **Never introduce anything other than fruit or vegetables into the feed tube.**
- **The lid of your appliance features a unique patented Auto Feed system. Simply introduce the food into the feed tube and let the machine do the rest.**
- **Should a blockage occur inside the feed tube, NEVER USE any object other than the pusher to clear it. Another solution is to switch the machine off and remove the food causing the problem inside the tube.**
- **Never use your hand to push the food down into the feed tube.**
- **Never insert your hand or any object other than the pusher into the ejector if the machine is running or the basket rotating.**



TROUBLESHOOTING

SYMPTOMS	CAUSES AND/OR REMEDIES
The machine will not start	<ul style="list-style-type: none"> - Check the fuses in your mains supply. - Close the safety arm properly J 100 Ultra : <ul style="list-style-type: none"> - Check that the thermal protection (button on underside) has been reset.
Abnormal noise	<ul style="list-style-type: none"> - The appliance has been incorrectly assembled. See "Assembly" chapter. - One of the parts is faulty and needs replacing.
Inefficient grating	<ul style="list-style-type: none"> - The grating disc is worn. Replace the grating disc inside the basket. - There is a blockage in the feed tube which needs to be cleared.
The appliance vibrates	<ul style="list-style-type: none"> - The pulp container is full or the basket is out of balance due to an accumulation of pulp on the filter. - If the vibration is permanent, check that the basket has not been damaged in some way.
The basket does not stop immediately when the safety arm is opened. It takes more than 2 seconds to stop.	<ul style="list-style-type: none"> - Have the appliance checked by a qualified person.

IMPORTANT : For all repairs and maintenance, it is vital to use parts supplied by Robot-Coupe.

SERVICE

See warranty first then;

Should your unit requires service, check with your dealer/distributor to know where local service is available. If not or if you wish your unit to be serviced at the factory, call for return instructions and ship the unit prepaid to our factory address.

PH : 1-800-824-1646
 Robot-Coupe USA, Inc
 Service Department Repair
 264 South Perkins Street
 Ridgeland, MS 39157

For service in Canada contact the Robot-Coupe USA factory for repair instructions.

RECIPES

Fruit and vegetables can be combined in an infinite number of ways to create exciting, colourful and totally natural drinks. Give your imagination free rein - bearing in mind these few golden rules for making cocktails:

- *Always use untreated fruit.*
- *Using a shaker will make an opaque mixture more homogeneous.*
- *Fill the lower half of the shaker half-full with ice cubes. Avoid shaking your cocktail for too long, otherwise the ice will melt and spoil it.*

Here is a selection of cocktail recipes, each for approximately four people.

PEACH SPARKLE

Ingredients (serves 3):

- 6 peaches
- ½ lemon
- 1 generous pinch ground nutmeg
- 10 fl oz soda water
- 1 thin slice fresh ginger

Preparation: stone the peaches and peel the lemon. There is no need to peel the ginger. Process the peaches in your J80 Ultra/J100 Ultra juicer first, followed by the ginger, then the lemon.

Next, combine the ground nutmeg and soda water with the juice. Divide between three glasses.

Garnish: *decorate the glasses with thin slices of peach.*

Idea: *you can use either white or yellow peaches for this juice.*

HONEYED WATERMELON

Ingredients (serves 3):

- 26 oz watermelon
- ½ lemon
- 1½ tbsp honey
- 1½ tbsp water

Preparation: boil the honey and water together and allow to cool. Remove the watermelon rind and pips and cut the flesh into large chunks. Peel the lemon.

Process the fruit in your J80 Ultra/J100 Ultra juicer.

Pour the honey mixture into the glasses first, followed by the watermelon juice.

Garnish: *serve with thinly sliced watermelon.*

CARROT CAPRICE

Ingredients (serves 4):

- 4 carrots
- 4 oranges
- 1 thin slice fresh ginger
- Ice cubes

Preparation: wash and scrub the carrots (no need to peel them). Peel the oranges. Process all the ingredients except for the ice cubes in your J80 Ultra/J100 Ultra juicer.

Divide between four glasses, add the ice cubes and serve immediately.

Garnish: *: decorate with an olive and a slice of orange.*

CUCUMBER QUENCHER

Ingredients (serves 4):

- 1 cucumber
- 4 Granny Smith apples
- 3 tbsp dill
- ½ lemon
- Goat's milk

Preparation: wash the cucumber but do not peel it, as the skin contains vitamins and will also lend color to your cocktail. For this reason, use an organic cucumber, if possible. Peel the lemon.

Process the cucumber, apples and dill in your J80 Ultra/J100 Ultra juicer, followed by the lemon. Combine the goat's milk with the juice.

Garnish: : decorate with radishes sliced in your Robot-Coupe veg prep machine (0.04" slicer disc).

PRETTY PINK

Ingredients (serves 4):

- 310 oz strawberries
- 3 carrots
- ¼ pineapple

Preparation: peel the pineapple and cut into chunks. You do not need to hull the strawberries, as their stalks will automatically be ejected into the pulp container.

Process the pineapple, strawberries and carrots in your J80 Ultra/J100 Ultra juicer in that order. Stir well and divide between glasses decorated with sliced strawberries.

Idea: liven up your cocktail with a pinch of ground vanilla bean, cardamom or ginger.

APPLE-KIWI

Ingredients (serves 3):

- 3 Granny Smith apples
- ½ lime
- 3 kiwi fruit

Preparation: peel the lime. Peel the kiwis so that the cocktail retains a good green color. Process all the ingredients in your J80 Ultra/J100 Ultra juicer.

Stir with a spoon and serve immediately, before the apple starts to go brown

Idea: if you find the taste too acidic, simply add a little honey or cane sugar syrup. You can also replace the kiwi fruit with a cucumber or a stick of celery

MELLOW GRAPEFRUIT

Ingredients (serves 3):

- 9 oz orange
- 9 oz grapefruit
- 9 oz strawberries

Preparation: peel the oranges and grapefruit to avoid a bitter taste. Process all the ingredients in your J80 Ultra/J100 Ultra juicer.

Stir well and divide between the glasses.

Idea: if you find the juice too acidic, simply add a little honey or cane syrup.

ORIENTAL

Ingredients (serves 3):

- ½ pineapple
- 3 oranges
- 1 tsp vanilla extract

Preparation: peel the fruit. Process the pineapple in your J80 Ultra/J100 Ultra juicer first, followed by the oranges.

Stir the vanilla extract into the juice and serve in small shot glasses.

Idea: replace the oranges with coconut milk.

CLASSIC

Ingredients (serves 3):

- 4 carrots
- 3 apples
- 1 lemon

Preparation: peel the lemon. Wash and scrub the carrots (no need to peel them). Process all the ingredients in your J80 Ultra/J100 Ultra juicer.

Stir well and serve.

Idea: you can substitute pears for the apples.

GAZPACHO

Ingredients (serves 3):

- 18 oz ripe tomatoes
- ½ small red pepper
- ½ cucumber
- ½ small stick celery
- 1 tbsp olive oil
- Drop of sherry vinegar
- Salt
- Pepper

Preparation: process all the vegetables in your J80 Ultra/J100 Ultra juicer, then add the olive oil, sherry vinegar and salt.

Garnish: decorate with a twist of lemon peel and a slice of tomato.

Idea: as tomato opens the appetite, serve the gazpacho at the start of the meal.

MELON MELODY

Ingredients (serves 3):

- 14 oz green-skinned melon
- 1 Granny Smith apple
- ½ lemon

Preparation: remove the melon rind and pips and cut the flesh into large chunks. Peel the lemon. Process all the ingredients in your J80 Ultra/J100 Ultra juicer.

Stir with a spoon and serve immediately, flavored with a few mint leaves.

Garnish: Garnish: decorate with melon diced in your Robot-Coupe veg prep machine (0.2 x 0.2 x 0.2" dicing attachment).

Idea: replace the melon with watermelon.

MELON-PEAR WITH TURMERIC

Ingredients (serves 4):

- 3 lb yellow honeydew melon
- 1 grapefruit
- ½ pear
- ½ Golden Delicious apple
- 1 thin slice fresh ginger
- ½ lemon grass stalk
- 1 tiny pinch turmeric

Preparation: peel the melon and grapefruit. Process the apple, ginger, lemon grass, pear, melon and grapefruit in your J80 Ultra/J100 Ultra juicer in that order. Stir well and divide between four glasses.

Garnish: decorate the glasses with pear sliced in your Robot-Coupe veg prep machine (0.04" slicer disc).

APPLE-CELERY

Ingredients (serves 4):

- 4 Granny Smith apples
- 2 sticks celery
- 1 thin slice fresh ginger
- ½ lemon
- Salt

Preparation: wash the celery sticks thoroughly and process in your J80 Ultra/J100 Ultra juice, followed by the ginger, then the apples. Season with a little salt and serve immediately, before the apple starts to go brown.

Garnish: decorate the glasses with apple sliced in your Robot-Coupe veg prep machine (0.04" slicer disc).

Idea: you can use pears instead of apples.

ASPARAGUS SPEARS

Ingredients (serves 3):

- 2.2 lb green asparagus
- 1 pinch ground Espelette pepper
- 1 pinch fleur de sel sea salt

Preparation: peel the asparagus spears and discard the tough ends of the stalks.

Process in your J80 Ultra/J100 Ultra juicer.

Season with a little Espelette pepper and sea salt.

Idea: use this cocktail to accompany a salmon dish.

SCARLET COCKTAIL

Ingredients (serves 4):

- 1 cooked beetroot
- 2 carrots
- 2 small bunches red grapes
- 2 Granny Smith apples
- Cayenne pepper

Preparation: process all the fruit and vegetables in your J80 Ultra/J100 Ultra juicer.

Season the juice with Cayenne pepper and serve chilled.

Garnish: decorate each glass with a slice of baby beetroot.

INDICE

- **GARANTIA**
- **MEDIDAS IMPORTANTES DE SEGURIDAD**
- **USTED ACABA DE ADQUIRIR
UNA CENTRIFUGADORA
J 80 Ultra • J 100 Ultra**
- **PUESTA EN SERVICIO DE LA MAQUINA**
- **FASE DE MONTAJE J 80 Ultra**
- **FASE DE MONTAJE J 100 Ultra**
- **DIFERENTES CONFIGURACIONES**
- **CONSEJOS DE UTILIZACIÓN**
- **MAINTENIMIENTO**
- **CARACTERISTICAS TECNICAS**
- **SEGURIDAD**
- **EN CASO DE PROBLEMA**
- **NORMAS**
- **RECETAS (Página 31)**
- **DATOS TECNICOS (Página 51)**
 - Vista detallada
 - Esquema de conexiones y del cableado
 - Ficha de montaje de la cesta 39910

LA GARANTÍA LIMITADA DE ROBOT-COUBE USA. Inc.

SU NUEVO APARATO ROBOT-COUBE TIENE UNA GARANTÍA DE UN AÑO A PARTIR DE LA FECHA DE SU COMPRA: ESTA GARANTÍA AFECTA ÚNICAMENTE AL COMPRADOR DE ORIGEN.

LA GARANTÍA SE LIMITA a los defectos relacionados con el material y/o la fabricación, e incluye la mano de obra para la sustitución de las piezas defectuosas, en el caso en que las reparaciones sean efectuadas por una estación de servicio posventa agregado (véase la lista adjunta).

El CLIENTE debe informar el Servicio Posventa de una eventual cobertura de garantía y entregar una copia de la factura o del bono de entrega que menciona la fecha de compra ANTES DE EMPEZAR LAS REPARACIONES.

Las piezas de sustitución y los accesorios están garantizados noventa (90) días a partir de la fecha de compra cuando han sido compradas separadamente y se verifican mediante el impreso de venta fechado o del recibo de embalaje sobre el cual figura el inventario de las piezas.

Todas las piezas o accesorios sustituidos bajo garantía deben ser remitidos al Servicio Posventa.

LA GARANTÍA NO CUBRE LOS SIGUIENTES PUNTOS:

1 - Cualquier deterioro del material derivado de una utilización incorrecta o inadecuada o de la caída del aparato o cualquier deterioro del mismo tipo derivado o resultante de una mala aplicación de las instrucciones (montaje mal efectuado, error de funcionamiento, limpieza y/o mantenimiento inadecuado, ubicación inadecuada, etc.).

2 - Las piezas de sustitución de un conjunto de elementos del montaje de una cuchilla y/o la mano de obra para afilar las hojas desafiladas, deterioradas o gastadas tras un cierto tiempo de utilización considerado normal o excesivo.

3 - Las piezas y/o la mano de obra para cambiar o reparar las superficies rayadas, manchadas deterioradas abolladas o descoloridas, las hojas, cuchillas o los accesorios.

4 - El transporte del aparato al servicio posventa agregado para la reparación.

5 - Los costes de mano de obra para instalar o probar las piezas o accesorios (cubas, discos, hojas ...) sustituidos arbitrariamente.

6 - Los costes derivados del cambio de sentido de rotación de los motores eléctricos trifásicos (LA RESPONSABILIDAD INCUMBE AL INSTALADOR).

7 - LOS DAÑOS DEBIDOS AL TRANSPORTE. La responsabilidad por los vicios, ya sean visibles u ocultos, incumbe al transportista. Un informe de reclamación debe ser inmediatamente rellenado con el transportista o en cuanto se descubra un defecto, si se trata de un vicio oculto.

CONSERVE TODAS LAS CAJAS Y EMBALAJES ORIGINALES que serán examinados durante la inspección del transportista.

ROBOT-COUBE USA. Inc., ROBOT-COUBE SA así como todas sus filiales o sociedades afiliadas, sus distribuidores, agentes, gerentes, empleados o aseguradores no pueden ser considerados como responsables de los daños, pérdidas o gastos indirectos relacionales con la utilización del aparato o con la imposibilidad de utilizarlo.

La garantía ROBOT-COUBE USA. Inc. se da expresamente y sustituye enteramente cualquier otra garantía, escrita o tácita, para la venta y el uso normal del aparato y constituye la única garantía hecha por ROBOT-COUBE USA. Inc.

La garantía se limita a los defectos relacionados a los materiales y/o a la fabricación, e incluye la mano de obra para la sustitución de las piezas defectuosas, en el caso de que las reparaciones sean efectuadas por un servicio posventa agregado (véase la lista adjunta).

El Cliente debe informar el Servicio Posventa de una eventual cobertura de garantía y entregar una copia de la factura o del bono de entrega que menciona la fecha de compra ANTES DE EMPEZAR LAS REPARACIONES.

Las piezas de sustitución y los accesorios están garantizados noventa (90) días a partir de la fecha de compra cuando han sido compradas separadamente y están verificadas con la ayuda del impreso de venta fechado o del recibo de embalaje sobre el cual están inventariadas las piezas.

Todas las piezas o accesorios sustituidos bajo garantía deben ser remitidos al Servicio Posventa.

La garantía ROBOT-COUBE USA. Inc. se da expresamente y sustituye enteramente cualquier otra garantía, escrita o tácita, para la venta y el uso normal del aparato y constituye la única garantía hecha por ROBOT-COUBE USA. Inc.

PRECAUCIONES IMPORTANTES



ATENCIÓN: A fin de limitar el número de accidentes (cortocircuitos, heridas...) y de reducir los daños materiales debidos a la utilización inadecuada del aparato, le aconsejamos que lea atentamente las instrucciones siguientes y que las siga en todo momento. Este manual le permitirá conocer mejor su aparato y utilizarlo correctamente. Lea la totalidad de las instrucciones y haga que las lean las personas que podrían utilizar el aparato.

DESEMBALAJE

- Saque el aparato de su embalaje con cuidado y saque todas las cajas o los paquetes que contienen los accesorios o material específico.
- Tenga CUIDADO con los accesorios cortantes (hojas, discos...).

INSTALACIÓN

- Se recomienda instalar el aparato sobre una superficie perfectamente estable, limpia y de una altura de trabajo cómoda.

CONEXIÓN

- Asegúrese siempre de que el tipo de corriente de su instalación eléctrica corresponde al indicado en la placa de características del bloque motor y soporta el amperaje.

FASES DE MONTAJE

- Respetar las diferentes fases de montaje (ver las páginas siguientes) y comprobar que todos los accesorios estén correctamente posicionados.

UTILIZACIÓN

- No levantar la tapa antes de la parada total del motor y de la cesta.
- Nunca traten de suprimir los sistemas de bloqueo y de seguridad.

- No colocar productos no alimentarios en la tolva.
- Esta máquina está equipada con una tapa de diseño exclusivo que garantiza un funcionamiento automático. Sólo hay que introducir los productos en la tolva de alimentación y la máquina se ocupará del resto.

- No obstante, si hay productos que se bloquean en la tolva, **NO UTILIZAR NUNCA** ningún otro objeto que no sea el mazo empujador para desbloquearlos.

Otra solución: detener la máquina y retirar los productos de la tolva.

- Nunca introducir la mano en el conducto de evacuación. Si se produce una obstrucción en el conducto de expulsión, detener la J80 Ultra/J100 Ultra y lavar la tapa pasándola bajo el grifo.
- No hacer funcionar nunca la máquina sin vigilarla.

LIMPIEZA

- Por precaución, desenchufe siempre el aparato antes de proceder a las operaciones de limpieza.
- Limpie sistemáticamente el aparato y sus accesorios al final del ciclo de trabajo.
- No lavar nunca la máquina con un chorro de agua ni con una bomba de espuma.
- No sumerja el bloque motor en el agua.

- Para cada pieza (de acero inoxidable o de plástico), utilizar un producto detergente adecuado.

- No utilice un detergente demasiado alcalino (con una concentración demasiado elevada de sosa o amoníaco) para las piezas de plástico.

- La cuba, la tapa y el colector de pulpa pueden lavarse en el lavavajillas, pero, para prolongar su duración de vida, se recomienda lavarlos a mano con un detergente para vajilla.

- Robot-Coupe nunca podrá ser considerado responsable en caso de incumplimiento por parte del usuario de las reglas fundamentales de limpieza e higiene.

MANTENIMIENTO

- Antes de manipular las partes eléctricas, desconecte siempre el aparato de la red.

- Verificar regularmente la hermeticidad del árbol motor y comprobar que el sistema de seguridad funcione correctamente.

- **ATENCIÓN:** No poner nunca en marcha el aparato si el cable de alimentación eléctrica o el enchufe están dañados.

- Si el aparato funciona mal o si está dañado de alguna manera, desconectarlo y hacerlo revisar.

- No dudar en llamar el servicio posventa autorizado por ROBOT-COUPÉ si se comprueba una anomalía.

USTED ACABA DE ADQUIRIR UNA CENTRIFUGADORA J 80 Ultra • J 100 Ultra

La centrifugadora J 80 Ultra/J 100 Ultra, estable y robusta, permite realizar en unos instantes, y **según pedido, una multitud de zumos 100% naturales.**

La J 80 Ultra/J 100 Ultra es ideal para la preparación instantánea de zumos de frutas frescas o exóticas, zumos de hortalizas de todo tipo y cócteles de zumos refinados, puros y naturales.

Por consiguiente, tiene múltiples aplicaciones, tanto en bares, restaurantes, comedores, hogares o guarderías como en clínicas y cocinas dietéticas, donde los zumos de frutas y hortalizas frescas tienen una importancia primordial.

Las hortalizas, como las frutas, sobre todo crudas, aportan al organismo vitaminas, minerales y fibras indispensables para nuestra salud. Los zumos de hortalizas contienen principalmente sales minerales, mientras que los zumos de frutas dan energía gracias a su contenido de vitaminas.

LAS SALES MINERALES

La distribución de las sales minerales en los alimentos es irregular.

Algunos minerales como el potasio, el magnesio, el azufre y el cloruro de sodio (sal) son lo bastante corrientes como para que una alimentación variada los aporte en cantidad suficiente, pero respecto a otros minerales, es útil conocer los alimentos que los contienen en abundancia.

Calcio: hortalizas verdes y frutas.

Fósforo: hortalizas secas.

Potasio: hortalizas frescas.

Hierro: espinacas, perejil.

Yodo: todos los vegetales.

CUADRO DE VITAMINAS DE LAS FRUTAS

Vitaminas	B1	C	A	D
Albaricoque	•	•	•	•
Casis	•	•		•
Cereza	•	•		•
Ciruela	•	•	•	•
Frambuesa	•	•		•
Fresa	•	•		•
Grosella	•	•		•
Kiwi	•	•	•	•
Limón	•	•	•	•
Manzana	•	•		•
Melocotón	•	•		•
Melón	•	•		•
Mora	•	•	•	•
Naranja	•	•	•	•
Pera	•	•		•
Piña	•	•	•	•
Toronja	•	•	•	•
Uva	•	•		•

CUADRO DE VITAMINAS DE LAS HORTALIZAS

Vitamines	B1/B6	A	E	K
Apio		•	•	•
Apio nabo	•			
Berros	•	•	•	
Calabacines	•	•	•	
Cebolla	•			
Col	•	•	•	•
Endibia	•			
Espárrago	•		•	
Espinaca	•	•	•	•
Hinojo	•		•	
Lechuga	•		•	
Nabo	•			
Pepino	•	•	•	
Perejil	•	•	•	
Pimiento morrón	•	•	•	
Tomate	•	•		
Zanahoria	•	•	•	

El diseño sencillo de este aparato permite montar y desmontar en un abrir y cerrar de ojos todas las piezas sometidas a manipulaciones frecuentes para su mantenimiento o limpieza.

Para facilitar la tarea, hemos separado en este manual las diferentes operaciones de montaje.

Las presentes instrucciones contienen información importante preparada para que el usuario saque el mayor provecho de la inversión en su centrifugadora.

Por lo tanto, aconsejamos leer atentamente estas instrucciones antes de poner en marcha el aparato.

PUESTA EN SERVICIO DE LA MAQUINA

Antes de enchufar el aparato, verificar si el tipo de corriente de la instalación eléctrica corresponde a la indicada en la placa de características.

La centrifugadora J 80 Ultra/J 100 Ultra cuenta con un cable de alimentación y un enchufe monofásico estándar.

Verificar que la máquina no se haya dañado durante el transporte o el desembalaje.

En particular, hay que comprobar la integridad del cable de alimentación y del enchufe.



CUIDADO!

**ESTE APARATO DEBE ESTAR CONECTADO
A LA TIERRA IMPERATIVAMENTE.
(PELIGRO DE ELECTROCUCION).**

FASES DE MONTAJE J80 Ultra

Tolva de introducción

Tolva de expulsión

Disco rallador

Asas de sujeción

Tamiz

Brazo de seguridad



1 Bloque motor

2 Cuba

3 Pico

4 Collarín

5 Cesta

6 Colector de pulpa

7 Tapa

8 Receptor de gotas



1) Colocar el bloque motor orientando los botones Marcha / Parada frente a usted.



2) Colocar la cuba sobre el bloque motor.



3) Encajar correctamente el collarín sobre la cuba.

Las estrías del collarín deben estar alineadas con las formas especiales de la cuba. Verificar que la pieza esté correctamente insertada.



4) Posicionar la cesta tomándola por las asas de sujeción. Hacerla girar hasta que ocupe la posición correcta.



5) Alinear la tapa en las ranuras del collarín.



IMPORTANTE

Comprobar que el pasador del eje motor esté correctamente alineado con la correspondiente ranura del cubo de la cesta.

Consultar también la etiqueta (representada bajo estas líneas) pegada sobre la tapa.





6) Posicionar el **colector de pulpa**.



7) Cerrar el brazo de seguridad.

Para poner en marcha el aparato, pulsar el botón **Marcha (I)**. La máquina funciona únicamente si el brazo de seguridad está debida-

mente cerrado (interruptor de seguridad).

Colocar la jarra bajo el pico vertedor. ¡La centrifugadora ya está lista para trabajar!

FASES DE MONTAJE J 100 Ultra



- | | | |
|-----------------|---------------------------|-----------------------|
| 1) Bloque motor | 5) Cesta | 9) Abrazadera |
| 2) Cuba | 6) Colector de pulpa | 10) Base |
| 3) Pico | 7) Conducto de evacuación | 11) Receptor de gotas |
| 4) Collarín | 8) Tapa | |



1) Colocar el bloque motor orientando los botones Marcha / Parada frente a usted.



2) Colocar la cuba sobre el bloque motor.



3) Encajar correctamente el collarín sobre la cuba.

Las estrías del collarín deben estar alineadas con las formas especiales de la cuba. Verificar que la pieza esté correctamente insertada.



4) Posicionar la cesta tomándola por las asas de sujeción. Hacerla girar hasta que ocupe la posición correcta.



5) Alinear la tapa en las ranuras del collarín.



IMPORTANTE

Comprobar que el pasador del eje motor esté correctamente alineado con la correspondiente ranura del cubo de la cesta.

Consultar también la etiqueta (representada bajo estas líneas) pegada sobre la tapa.



6) Dos posibilidades de uso:

• Evacuación continua de los residuos.



Posicionar el conducto de evacuación continua de los residuos en el agujero de la base.

Pensar, al utilizar el conducto de expulsión de residuos, en colocar debajo un recipiente de recuperación (no provisto).

• Evacuación de los residuos en el colector de pulpa.



Posicionar el **colector de pulpa**.



7) Cerrar el brazo de seguridad.

Para poner en marcha el aparato, pulsar el botón **Marcha (I)**. La máquina funciona únicamente si el brazo de seguridad está debidamente cerrado (interruptor de seguridad).

Colocar la jarra bajo el pico vertedor. ¡La centrifugadora ya está lista para trabajar!

Colocar la jarra bajo el pico vertedor. ¡La centrifugadora ya está lista para trabajar!

8) Uso de la **abrazadera** (ver la pág. 25) - (Opción)



Para utilizar el aparato al borde de la mesa, enganchar el **conducto de evacuación** a la **tapa** con la **abrazadera** provista.

DIFERENTES CONFIGURACIONES

La **J 100 Ultra**, entregada con todos sus accesorios, está estudiada para adaptarse a las necesidades y al entorno de cada usuario.

También puede configurarse en función del puesto de trabajo:

- Según las alturas de los recipientes que reciben el zumo, utilizar o no la **base 10** (ver la pág. 25).
- En caso de uso normal, el **colector de pulpa 6** (ver la pág. 25) permite licuar más de diez kilos, según los productos, antes de tener que vaciarlo.
- En caso de uso más intensivo, el **conducto de evacuación 7** (ver la pág. 25) permite trabajar en continuo, sin tener que vaciar el colector de pulpa. Esta forma de uso requiere colocar un recipiente de gran capacidad (no provisto) bajo la mesa de trabajo.

Para este uso, hay dos soluciones posibles:









1) Hacer un agujero de **Ø 10 cm** en la mesa de trabajo para dejar pasar el extremo del **conducto de evacuación 7** (ver las figuras del cuadro siguiente). Esta solución permite organizar de manera óptima la mesa de trabajo.

2) Uso al borde de la mesa.

Para posicionar correctamente la máquina, la **base 10** (ver la pág. 25) tiene 2 marcas laterales que permiten colocarla al borde de la mesa.

Cuidado: Comprobar el correcto posicionamiento de la máquina para evitar que se caiga.

- Resumen de las diferentes configuraciones posibles en función del puesto de trabajo y los recipientes utilizados (de carácter indicativo):


Contenant	Uso de la base de la máquina 10 (v. pág. 25)	Intensidad de uso	Ejemplo de uso
 Recipientes de 16 cm de altura máxima	No es necesaria	Normal	<ul style="list-style-type: none"> • Con el colector de pulpa 6 (v. pág. 25). • No se necesita ningún agujero en la mesa de trabajo. 
		Intensivo	<ul style="list-style-type: none"> • Con el conducto de evacuación 7 y la abrazadera 9 (v. pág. 25) • Uso al borde de la mesa. No se necesita ningún agujero en la mesa de trabajo. • Con el conducto de evacuación 7 (v. pág. 25). • Uso con expulsión bajo la mesa de trabajo. Es necesario hacer un agujero de Ø 10 cm en la mesa de trabajo.  
 Recipientes de 25 cm de altura máxima	Necesario si la altura del contenedor excede de 16 cm	Normal	<ul style="list-style-type: none"> • Con el colector de pulpa 6 (v. pág. 25). • No se necesita ningún agujero en la mesa de trabajo. 
		Intensivo	<ul style="list-style-type: none"> • Con el conducto de evacuación 7 (v. pág. 25) • Uso al borde de la mesa. No se necesita ningún agujero en la mesa de trabajo. • Con el conducto de evacuación 7 (v. pág. 25). • Uso con expulsión bajo la mesa de trabajo. Es necesario hacer un agujero de Ø 10 cm en la mesa de trabajo.  

CONSEJOS DE UTILIZACIÓN

• J80 Ultra • J100 Ultra

- Antes de la primera utilización, es preferible limpiar todas las piezas en contacto con los alimentos.
- Antes de cada utilización, verificar que el brazo de seguridad esté correctamente cerrado.
- Al poner en funcionamiento la máquina y antes de introducir alimentos de la tolva de introducción, no olvidar colocar una jarra bajo el pico y el **colector de pulpa o el conducto de evacuación** bajo la tolva de expulsión.

- Es necesario pelar los cítricos antes de introducirlos en la tolva.

 - Las frutas y hortalizas con cáscara o piel gruesa deben pelarse (ej.: piña, mango, etc.) y retirarse todas las semillas grandes (ej.: melón). Siempre hay que retirar el hueso de las frutas que lo tengan (melocotón, albaricoque, cereza, etc.). Deben retirarse los escobajos de la uva antes de introducir los granos en a licuadora.

- Algunos productos, debido a su consistencia demasiado dura, como el coco, no son indicados para la centrifugadora.

- La centrifugadora J80 Ultra/J100 Ultra cuenta con un sistema único patentado de tratamiento automático de los alimentos, sin necesidad de mazo empujador.

- Por lo tanto, para aprovechar al máximo la J80 Ultra/J100 Ultra, hay que introducir los alimentos manualmente (sin mazo empujador) en la tolva a medida que vayan descendiendo.

- Introducir los trozos de frutas y hortalizas en la tolva por pequeñas cantidades.

- Al final de la utilización, dejar el aparato en marcha unos segundos para terminar la extracción de los zumos.

- No colocar cubitos de hielo ni frutas congeladas en la tolva.
- La repartición de los residuos en la cesta puede crear un desequilibrio. Si la centrifugadora empieza a vibrar durante su funcionamiento, pararla y limpiar la **cesta**. Después, reanudar el trabajo normalmente.
- Verificar que el **collarín** y la **tapa** estén correctamente posicionados.

• J80 Ultra

- Con la J80 Ultra, se pueden producir varios litros de zumo sin vaciar el **colector de pulpa**. Sin embargo, hay que verificar regularmente el llenado del **colector de pulpa**.
- Verificar que el **collarín** y la **tapa** estén correctamente posicionados.
- Comprobar siempre que el **colector de pulpa** esté correctamente colocado.


• J100 Ultra

- J100 Ultra Ultra con colector de pulpa:

De pueden producir varios litros de zumo sin vaciar el **colector de pulpa**. Sin embargo, hay que verificar regularmente el llenado del **colector de pulpa**.

- J100 Ultra con conducto de evacuación:

El **conducto de evacuación** (provisto con la máquina) es un accesorio estudiado para un uso intensivo de la máquina. Evita tener que vaciar repetidamente el **colector de pulpa** durante el servicio.

 - Para un uso al borde de la mesa, hay que verificar que todas las patas se apoyen correctamente sobre la mesa. Además, hay que organizar el espacio de trabajo para evitar que el aparato se voltee o se caiga.

Nota: Para un uso intensivo diario, preferir el uso del **conducto de evacuación** continua de los residuos con o sin la **base** de la máquina.

Preparación de las frutas J80 Ultra • J100 Ultra

	Modo de operación
ZANAHORIAS	Zanahorias peladas enteras o cortadas en trozos, introducidos de 2 en 2 o de 3 en 3.
MANZANAS	Manzanas enteras (lavadas, sin etiqueta y sin rabillo).
FRESAS	Retirar los rabillos por razones de gusto.
CÍTRICOS	Pelar los cítricos. Limones o naranjas enteros, sin cortarlos.
PIÑA	Pelar y cortar en 8 trozos (3 pasadas de cuchillo).
MELONES	Pelar y cortar en 8 trozos
TOMATES	Enteros, lavados y sin parte verde. Introducir en la tolva 2 ó 3 tomates.
PIMIENTOS MORRONES	Lavados. Cortar en 4 trozos longitudinales según la forma de los pimientos.
APIO	Cortar en trozos de unos 6 ó 7 cm de largo.
PEPINOS	Pelados. Cortar en trozos de unos 15 cm de largo.
HINOJO	Cortar en trozos de unos 6 ó 7 cm de largo.
JENGIBRE	Cortar en trozos para introducirlos fácilmente en la tolva. No cargar demasiado para que los trozos no se bloqueen entre ellos.
UVA	Retirar los escobajos para evitar el amargor.



CUIDADO!

Lavar bien las frutas y hortalizas para eliminar todas las trazas de los tratamientos que hayan podido recibir.

LIMPIEZA

- Desconectar siempre el aparato antes de limpiarlo.
- Entre 2 lotes de frutas diferentes, se puede aclarar el aparato con agua potable (1 vaso), vertiéndola por la tolva de introducción con la máquina en marcha.



- Limpiar la cesta frotando la parte exterior del cono filtrante para retirar los residuos. Utilizar una escobilla o un estropajo.

- Para una limpieza correcta, retirar el collarín de la cuba antes de limpiar.
- Limpiar siempre el aparato totalmente después de usarlo, lavando el collarín, la cuba, la tapa y el empujador con agua caliente. Frotar con una escobilla y un detergente adecuado.
- Para evitar daños, no golpear las piezas contra una superficie dura.

***Astucia:** Si la pulpa se ha secado en la cesta, sumergirla en agua caliente entre 5 y 10 minutos para facilitar su lavado.

! IMPORTANTE

Verificar que el detergente pueda utilizarse con piezas de plástico o de acero inoxidable. El caso es que algunos agentes detergentes demasiado alcalinos (con gran concentración de sosa o amoníaco, por ejemplo) son totalmente incompatibles con ciertos plásticos y los deterioran rápidamente.

! IMPORTANTE

No sumergir nunca el bloque motor en agua u otros líquidos y no rociarlo.

No lavar nunca la máquina con un chorro de agua ni con una bomba de espuma.

Si es necesario, limpiar el bloque motor con un trapo húmedo.

Retirar antes el enchufe de la toma de corriente.

CARACTERÍSTICAS TÉCNICAS

- **Bloque motor** → de acero inoxidable
- **Cuba** → de acero inoxidable
- **Cesta de la centrifugadora** → de acero inoxidable
- **Disco rallador** → de acero inoxidable
- **Motor eléctrico ventilado** → número de revoluciones constante (3000 rpm)
- **Rendimiento** → **100 a 120 kg/hora** de frutas u hortalizas* para la **J 80 Ultra**.
120 a 160 kg/hora para la **J 100 Ultra**.

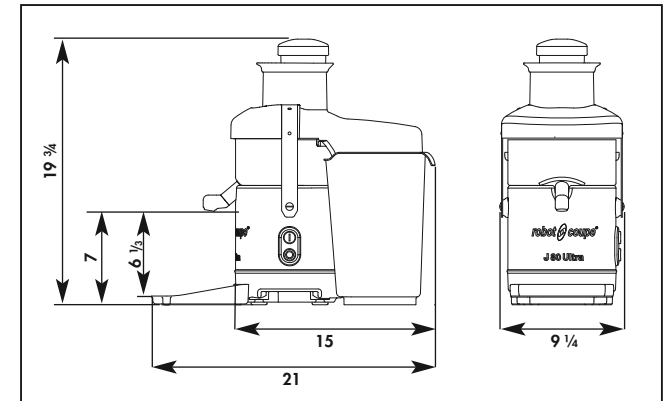
* En condiciones óptimas de producción, es decir, en una mesa de trabajo adecuada, con frutas preparadas y todos los accesorios (jarra, cubo de basura, etc.) al alcance de la mano.

• PESO (En Libra)

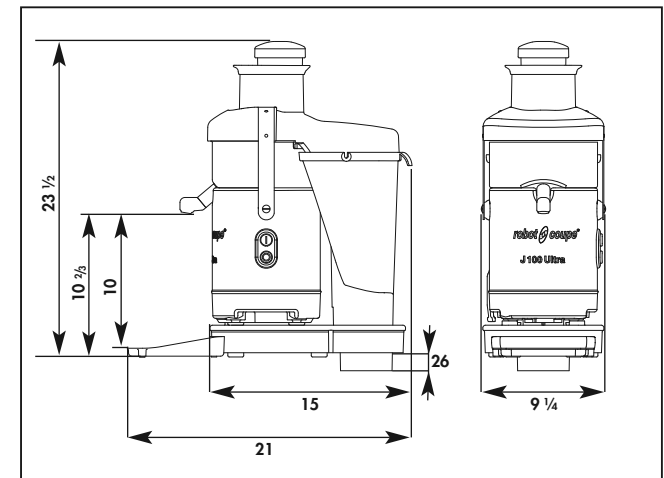
	Neto	Embalado
J 80 Ultra	24	28.2
J 100 Ultra	28.4	34.4

• DIMENSIONS (en pulgadas)

J 80 Ultra



J 100 Ultra



• ALTURA DE TRABAJO

Aconsejamos instalar la centrifugadora J 80 Ultra/J 100 Ultra sobre una superficie plana y estable a una altura compatible con su uso.

• NIVEL DE RUIDO

El nivel continuo equivalente de presión acústica de la centrifugadora, en funcionamiento en vacío, es inferior a 70 dB (A).

• CARACTERÍSTICAS ELECTROMECÁNICAS

J80 Ultra

Motor	Velocidad (rpm)	Potencia (vatios)	Intensidad (Amp)
120V / 60Hz	3450	700	9

J100 Ultra

Motor	Velocidad (rpm)	Potencia (vatios)	Intensidad (Amp)
120V / 60Hz	3400	850	9

SEGURIDAD

- La **J80 Ultra/J100 Ultra** se pone en marcha únicamente si la **tapa** está correctamente posicionada y el brazo de seguridad correctamente bloqueado. El motor se para al abrirse el brazo de seguridad o cuando se pulsa el botón Parada (botón rojo).
- La **J80 Ultra/J100 Ultra** está equipada con un potente freno eléctrico que detiene la máquina en menos de 2 segundos si el usuario abre el brazo de seguridad de la máquina en marcha.
- Para volver a poner en marcha el aparato, basta volver a cerrar debidamente el brazo de seguridad sobre la **tapa** y pulsar el botón Marcha (botón verde).
- La **J100 Ultra** está equipada con un **disyuntor térmico** que detiene automáticamente el motor en caso de funcionamiento prolongado en sobrecarga. Si es el caso, esperar que el aparato se enfríe antes de volver a activar el botón del **disyuntor térmico** situado bajo la máquina.

- **ATENCIÓN:** Utilizar siempre el aparato con el colector de pulpa o el conducto de evacuación continua de los residuos (para la **J100 Ultra**) instalado.
- Parar siempre el aparato antes de retirar el colector de pulpa o el conducto de evacuación continua de los residuos (para la **J100 Ultra**).
- No introducir nunca la mano ni ningún objeto en la tolva de evacuación si la máquina está conectada o si la cesta está en rotación.
- Nunca retirar el enchufe de la toma de corriente tirando del cordón ni con las manos húmedas.



RECUERDO

- **Nunca tratar de suprimir los sistemas de bloqueo y de seguridad.**
- **No colocar productos no alimentarios en la tolva.**
- **La máquina está equipada con una tapa de diseño exclusivo que garantiza un funcionamiento automático. Sólo hay que introducir los productos en la tolva de alimentación y la máquina se ocupará del resto.**
- **No obstante, si hay productos que se bloquean en la tolva, NO UTILIZAR NUNCA ningún otro objeto que no sea el mazo empujador para empujarlos.**
Otra solución: detener la máquina y retirar los productos de la tolva de introducción.
- **No utilizar nunca la mano para empujar los productos en la tolva de introducción.**
- **No introducir nunca la mano ni ningún objeto en la tolva de evacuación si la máquina está conectada o si la cesta está en rotación.**



EN CASO DE PROBLEMA

SÍNTOMAS	CAUSAS Y/O REMEDIOS
El aparato no funciona.	- Verificar los fusibles de la instalación eléctrica. - Cerrar el brazo de seguridad correctamente. J100 Ultra : - Verificar que el botón del disyuntor térmico (bajo el aparato) esté activado.
Ruido anormal.	- El aparato no se ha montado correctamente. Ver el capítulo "Montaje". - Hay una pieza defectuosa. Cambiar la pieza.
Rendimiento insuficiente del rallado.	- El disco rallador está gastado. Cambiar el disco rallador dentro de la cesta. - Hay alimentos bloqueados en la tolva de introducción. Retirar los alimentos.
El aparato vibra.	- El colector de pulpa está lleno o la cesta está desequilibrada debido a un exceso de pulpa en el filtro. - Si la vibración es permanente, verificar que la cesta no esté dañada.
La cesta no se detiene inmediatamente al abrirse el brazo de seguridad. El tiempo de parada es superior a 2 segundos.	- Hacer revisar la máquina por personal cualificado.

IMPORTANTE: En caso de intervención, es imperativo utilizar piezas originales de Robot-Coupe.

REPARACIÓN

Como primera medida, consulte la garantía.

Si el aparato requiere reparación, pregunte al distribuidor cuál es el servicio de postventa más cercano a su domicilio.

En caso de que no encontrar ninguno y si usted desea que el aparato sea reparado en fábrica, póngase en contacto con nosotros para obtener un número de autorización de devolución de mercancía y envíelo asegurado y con porte pago a la dirección de la siguiente fábrica :

PH : 1-800-824-1646

Robot Coupe U.S.A. Inc.

Service Department

264 South Perkins St.,

Ridgeland, MS 39157

Para el servicio de postventa en el Canada, contacta la fabrica de Robot-Coupe en Estados Unidos.

RECETAS

Mezclan al infinito para crear bebidas coloridas, 100% naturales.

Deje rienda suelta a su imaginación... respetando sin embargo las reglas de oro para los cócteles:

- *Utilizar siempre frutas no tratadas.*
- *La coctelera deja más homogéneas las mezclas opacas.*
- *Llenar la coctelera con cubitos de hielo hasta media altura. No agitar demasiado tiempo pues el hielo se transforma en agua y destruye los cócteles.*

Aquí le presentamos algunas recetas de cócteles previstas para 4 personas.

MELOCOTÓN BURBUJEANTE

Ingredientes (para 3 vasos):

- 6 melocotones sin hueso
- ½ limón
- 1 buena pizca de nuez moscada molida
- 300 ml de soda
- 1 rebanada fina de jengibre

Preparación: Deshuesar los melocotones y pelar el limón.

No es necesario pelar el jengibre. Introducir en la centrifugadora J 80 Ultra/J 100 Ultra, en el orden indicado, los melocotones, el jengibre y el limón.

Mezclar después la nuez moscada molida y la soda con el zumo. Servir la preparación en tres vasos.

Idea de decoración: decorar los vasos con finas rajadas de melocotón.

Otra idea: Para este zumo, se pueden utilizar melocotones blancos y amarillos.

SANDÍA CON MIEL

Ingredientes (para 3 vasos):

- 750 g de sandía
- ½ limón sin piel
- 20 g de miel
- 20 g de agua

Preparación: Hacer hervir la miel y el agua. Dejar enfriar.

Retirar la cáscara de la sandía, despepitarla y cortarla en trozos grandes.

Introducir la sandía y el limón sin piel en la centrifugadora J80 Ultra/J100 Ultra.

En un vaso, verter primero la miel y después el zumo de sandía.

Idea de decoración: servir con rajadas finas de sandía.

BOOSTING CARROTTS

Ingredientes (para 4 vasos):

- 4 zanahorias
- 4 naranjas
- 1 rebanada fina de jengibre
- Hielo

Preparación: Lavar las zanahorias. No es necesario pelar las zanahorias; basta lavarlas cepillándolas. Pelar las naranjas. Licuarlas con el jengibre y las zanahorias en la centrifugadora J80 Ultra/J100 Ultra.

Repartir esta preparación en cuatro vasos. Añadir hielo y servir de inmediato.

Idea de decoración: decorar con un gajo de naranja y una aceituna.

PEPINO CON LECHE

Ingredientes (para 4 vasos):

- 1 pepino
- 4 manzanas Granny
- 3 C.s. de eneldo
- ½ limón
- Leche de cabra

Preparación: No es necesario pelar el pepino porque su piel contiene vitaminas y da más color al zumo. Preferir pepinos orgánicos. Licuar los pepinos, las manzanas, el eneldo y el medio limón en la centrifugadora J80 Ultra/J100 Ultra. Después, mezclar la leche de cabra con el zumo.

Idea de decoración: presentar con finas rodajas de rábano cortadas con el corta-hortalizas Robot-Coupe con el disco rebanador de 1 mm.

ROJO BOMBÓN

Ingredientes (para 4 vasos):

- 300 g de fresas
- 3 zanahorias
- ¼ de piña

Preparación: : Pelar la piña antes de introducirla en la centrifugadora. No es necesario retirar el rabillo de las fresas, pues éstas son expulsadas automáticamente al recipiente para residuos.

Licuar, en este orden, el ¼ de piña, las fresas y las zanahorias en la centrifugadora J80 Ultra/J100 Ultra. Mezclar bien y decorar los vasos con rodajas de fresas.

Otra idea: Refuerce el gusto del cóctel con especias molidas, como vainilla, cardamomo o jengibre.

MANZANA-KIWI

Ingredientes (para 3 vasos):

- 3 manzanas verdes Granny-Smith
- ½ limón verde
- 3 kiwis

Preparación: Pelar el limón. Pelar los kiwis para conservar el color verde del cóctel. Licuarlos con las manzanas y el limón verde en la centrifugadora J80 Ultra/J100 Ultra.

Mezclar con una cuchara y servir sin tardar, pues la manzana se oxida muy pronto.

Otra idea: Si el zumo resulta demasiado ácido, se puede añadir un poco de miel o de azúcar de caña. Los kiwis pueden sustituirse por un pepino o una rama de apio.

TORONJA DULCE

Ingredientes (para 3 vasos):

- 250 g de naranjas
- 250 g de toronjas
- 250 g de fresas

Preparación: Pelar las naranjas y las toronjas para evitar el amargor. Licuarlo todo en la centrifugadora J80 Ultra/J100 Ultra.

Mezclar bien y servir el zumo en los vasos.

Otra idea: Si el zumo resulta demasiado ácido, se puede añadir un poco de miel o de azúcar de caña.

CÓCTEL ORIENTAL

Ingredientes (para 3 vasos):

- ½ piña
- 3 naranjas
- 1 C.c. de extracto de vainilla líquida

Preparación: Pelar los cítricos y la piña. Licuar primero la piña y después los cítricos en la centrifugadora J80 Ultra/J100 Ultra.

Mezclar el extracto de vainilla con el zumo y servir la preparación en pequeños vasos de vodka.

Otra idea: Sustituir las naranjas por leche de coco.

CLÁSICO

Ingredientes (para 3 vasos):

- 4 zanahorias
- 3 manzanas
- 1 limón

Preparación: Pelar el limón. No es necesario pelar las zanahorias; basta lavarlas cepillándolas. Licuar las zanahorias, las manzanas y el limón en la centrifugadora J80 Ultra/J100 Ultra.

Mezclar bien y servir.

Otra idea: Se puede sustituir las manzanas por peras.

GAZPACHO

Ingredientes (para 3 vasos):

- 500 g de tomates bien maduros
- ½ pimiento morrón pequeño
- ½ pepino
- ½ ramita de apio
- 1 C.s. de aceite de oliva
- Vinagre de Jerez
- Sal
- Pimienta

Preparación: Licuarlo todo en la centrifugadora y añadir el aceite de oliva, una gota de vinagre y sal.

Decorar con un chorreoncito de limón y una rodaja de tomate. Servir el gazpacho como entrante para aprovechar las virtudes aperitivas del tomate.

MELÓN

Ingredientes (para 3 vasos):

- 400 g de melón verde
- 1 manzana Granny-Smith
- ½ limón

Preparación: : Pelar el melón, despepitarlo y cortarlo en trozos grandes. Licuar el melón, el medio limón y la manzana en la centrifugadora J80 Ultra/J100 Ultra.

Mezclar con una cuchara y servir enseguida. Aromatizar el cóctel con unas hojas de menta.

Idea de decoración: Decorar con cubos de melón cortados con el corta-hortalizas Robot-Coupe (utilizar el kit para macedonia de 5 x 5 x 5 mm).

Otra idea: Sustituir el melón por sandía.

PERAS-MELÓN CON CÚRCUMA

Ingredientes (para 4 vasos):

- 1400 g de melón amarillo
- 1 toronja
- ½ pera
- ½ manzana Golden
- 1 rebanada fina de jengibre
- ½ tallo de toronjil
- 1 pizca de cúrcuma

Preparación: Pelar el melón y la toronja. Licuar, en este orden, la manzana, el jengibre, el toronjil, la pera, el melón y la toronja en la centrifugadora J80 Ultra/J100 Ultra. Mezclar bien y repartir la preparación en 4 vasos.

Idea de decoración: Decorar los vasos con finas rebanadas de pera cortadas con el corta-hortalizas Robot-Coupe (con el disco rebanador de 1 mm).

MANZANA-APIO

Ingredientes (para 4 vasos):

- 4 manzanas Granny
- 2 ramas de apio
- 1 rebanada fina de jengibre
- ½ limón amarillo
- Sal

Preparación: Lavar bien las ramas de apio. Licuar, en este orden, el apio, el jengibre y las manzanas verdes en la centrifugadora J80 Ultra/J100 Ultra. Añadir un poco de sal a la preparación. Servir enseguida porque la manzana se oxida muy pronto.

Idea de decoración: Decorar con finas rodajas de manzana cortadas con el corta-hortalizas Robot-Coupe (disco rebanador de 1 mm).

Otra idea: Se puede sustituir las manzanas por peras.

RED COCKTAIL

Ingredientes (para 4 vasos):

- 1 remolacha cocida
- 2 zanahorias
- 2 pequeños racimos de uva negra
- 2 manzanas Granny
- Pimienta de Cayena

Preparación: Introducir la remolacha y las frutas en la centrifugadora J80 Ultra/J100 Ultra.

Sazonar el zumo con pimienta de Cayena y servir muy frío.

Idea de decoración: decorar el vaso con una rebanada de remolacha miniatura.

SHOOT DE ESPÁRRAGOS

Ingredientes (para 3 vasos):

- 1 kg de espárragos
- 1 pizca de guindilla en polvo
- 1 pizca de flor de sal

Preparación: Pelar los espárragos y retirar los extremos duros.

Licuarlos directamente en la centrifugadora J80 Ultra/J100 Ultra.

Sazonar el zumo con un poco de guindilla y flor de sal. Servir como acompañamiento de un plato de salmón.

SOMMAIRE

- GARANTIE
- PRÉCAUTIONS IMPORTANTES
- VOUS VENEZ D'ACQUÉRIR UNE CENTRIFUGEUSE
J 80 Ultra • J 100 Ultra
- MISE EN SERVICE DE L'APPAREIL
- PHASES DE MONTAGE J 80 Ultra
- PHASES DE MONTAGE J 100 Ultra
- DIFFÉRENTES CONFIGURATIONS
- CONSEILS D'UTILISATION
- NETTOYAGE
- CARACTÉRISTIQUES TECHNIQUES
- SÉCURITÉ
- EN CAS DE PROBLÈME
- NORMES
- DÉPANNAGE
- RECETTES (page 47)
- DONNÉES TECHNIQUES (page 51)
 - Vues éclatées
 - Schémas électriques
 - Fiche de montage du panier 39910

GARANTIE LIMITÉE DE ROBOT-COUBE USA. Inc.

VOTRE NOUVELLE MACHINE ROBOT-COUBE EST GARANTIE UN AN A PARTIR DE LA DATE D'ACHAT : CETTE GARANTIE NE CONCERNE QUE L'ACHETEUR D'ORIGINE.

La GARANTIE EST LIMITEE aux défauts liés aux matériaux et / ou à la fabrication, et inclut la main d'œuvre pour le remplacement des pièces défectueuses, dans le cas où les réparations seraient effectuées par une station de service après-vente agréée (voir liste jointe).

Le CLIENT doit informer la Stations de Service Après-Vente d'une éventuelle couverture de garantie et fournir une copie de la facture ou du bon de livraison mentionnant la date d'achat AVANT QUE LES REPARATIONS NE SOIENT ENTAMEES ;

Les pièces de remplacement et les accessoires sont garantis quatre vingt dix (90) jours à partir de la date d'achat quand ils sont achetés séparément et sont vérifiés à l'aide du bordereau de vente daté OU le récépissé d'emballage sur lequel sont inventoriées les pièces.

Toutes les pièces ou accessoires remplacés sous garantie doivent être retournés à la Station de Service Après-Vente.

LES POINTS SUIVANTS NE SONT PAS COUVERTS PAR LA GARANTIE :

1 - Toute détérioration du matériel relevant d'une utilisation incorrecte ou inappropriée, d'une chute de l'appareil, ou toute détérioration du même genre causée ou résultant d'une mauvaise application des instructions (montage mal effectué, erreur dans le fonctionnement, nettoyage et/ou entretien inadaptés, emplacement inapproprié ...).

2 - Les pièces de remplacement d'un ensemble couteau et/ou la main d'œuvre pour affûter les lames devenues émoussées, abîmées ou usées après un certain temps d'utilisation jugé normal ou excessif.

3 - Les pièces et/ou la main d'œuvre pour remplacer ou réparer les surfaces rayées, tâchées, abîmées, bosselées ou décolorées, les lames, les couteaux ou les accessoires.

4 - Les coûts de transport de ou jusqu'à une station de service après-vente agréée pour la réparation d'une machine.

5 - Les coûts de main d'œuvre pour installer ou essayer des pièces ou accessoires (cuves, disques, lames ...) remplacées arbitrairement.

6 - Les coûts liés au changement du sens de rotation des moteurs électriques triphasés (L'INSTALLATEUR EST RESPONSABLE).

7 - LES DÉGÂTS DUS AU TRANSPORT. Les vices visibles ou cachés incombent au transporteur. Un dossier de réclamation doit être immédiatement rempli auprès du transporteur ou dès qu'un défaut est découvert, s'il s'agit d'un vice caché.

GARDEZ TOUS LES CARTONS ET EMBALLAGES ORIGINAUX qui serviront lors de l'inspection du transporteur.

ROBOT-COUBE USA. Inc., ROBOT-COUBE SA ainsi que toutes ses filiales ou sociétés affiliées, ses distributeurs, agents, gérants, employés ou assureurs ne peuvent être tenus responsables des dommages, pertes ou dépenses indirects liés à l'utilisation de l'appareil ou à l'impossibilité de l'utiliser.

La garantie ROBOT-COUBE USA. Inc. est donnée expressément et en lieu et place de toutes autres garanties, écrites ou tacites, pour la vente et l'usage normal de l'appareil et constitue la seule garantie faite par ROBOT-COUBE USA. Inc.

PRÉCAUTIONS IMPORTANTES



ATTENTION : Afin de limiter le risque d'accidents (chocs électriques, blessures...) et afin de réduire les dégâts matériels liés à une mauvaise utilisation de votre machine, lisez attentivement les instructions suivantes et respectez-les impérativement. La lecture de cette notice vous apportera une meilleure connaissance de votre appareil et vous permettra une utilisation correcte de votre machine. Lire la totalité des instructions et les faire lire à toute personne susceptible d'utiliser l'appareil.

DÉBALLAGE

- Retirer précautionneusement l'équipement de son emballage et extraire toutes les boîtes ou paquets contenant les accessoires ou matériel spécifique.
- **ATTENTION** aux outils coupants : lames, disques...

INSTALLATION

- Il est recommandé d'installer votre appareil sur un support parfaitement stable, propre et à une hauteur de travail confortable.

BRANCHEMENT

- Toujours vérifier que la nature du courant de votre installation électrique correspond bien à celle indiquée sur la plaque signalétique du bloc moteur et qu'elle supporte l'ampérage.

PHASES DE MONTAGE

- Bien respecter les différentes phases de montage (voir pages suivantes) et s'assurer que tous les accessoires sont correctement positionnés.

UTILISATION

- **Ne pas enlever le couvercle avant l'arrêt complet du moteur et du panier.**
- **Ne jamais essayer de supprimer les systèmes de verrouillage et de sécurité.**

- **Ne pas mettre de produits non-alimentaires dans la goulotte.**
- **Cette machine est équipée d'un couvercle de conception unique qui assure une fonction automatique. Vous devez juste introduire les produits par la goulotte d'alimentation et la machine fera le reste.**
- **Toutefois, si des produits se coincent à l'intérieur de la goulotte, NE JAMAIS UTILISER un autre objet que le poussoir pour les décoincer. Autre solution : arrêter la machine et enlever les produits de la goulotte.**
- **Ne jamais introduire la main dans la trémie d'évacuation. Si un bourrage devait survenir dans la goulotte d'éjection : arrêter la J 80 Ultra / J 100 Ultra et nettoyer le couvercle sous l'eau.**
- **Ne jamais faire fonctionner la machine sans surveillance.**

NETTOYAGE

- **Par précaution, avant de procéder aux opérations de nettoyage, toujours débrancher votre appareil.**
- **Nettoyer systématiquement la machine ainsi que les accessoires à la fin du cycle de travail.**
- **Ne pas nettoyer la machine au jet d'eau ou au canon à mousse.**
- **Ne pas mettre le bloc moteur dans l'eau.**
- **Pour chaque pièce (en inox ou en plastique), utiliser un produit détergent approprié.**

- **Pour les pièces en plastique, ne pas utiliser un détergent trop alcalin (avec concentration trop forte en soude ou ammoniacque).**
- **La cuve, le couvercle et le collecteur de pulpe peuvent être passés au lave-vaisselle, toutefois pour augmenter la durée de vie de ces pièces, il est conseillé de laver ces éléments avec un détergent à vaisselle ménager.**
- **En aucun cas, Robot-Coupe ne peut être tenu responsable d'un manquement de l'utilisateur aux règles élémentaires de nettoyage et d'hygiène.**

ENTRETIEN

- **Avant toute intervention sur les parties électriques, déconnecter impérativement votre appareil du réseau.**
- **Vérifiez régulièrement l'étanchéité de l'arbre moteur et assurez-vous que le système de sécurité fonctionne correctement.**
- **ATTENTION : Ne jamais mettre en marche l'appareil si le câble d'alimentation ou la prise sont endommagés.**
- **Si l'appareil fonctionne mal ou s'il a été endommagé d'une quelconque manière, débrancher l'appareil et le faire réviser.**
- **N'hésitez pas à faire appel à votre service après-vente agréé par ROBOT-COUPÉ si vous constatez une anomalie.**

VOUS VENEZ D'ACQUÉRIR UNE CENTRIFUGEUSE J 80 Ultra • J 100 Ultra

La centrifugeuse **J 80 Ultra/J 100 Ultra**, stable et robuste, permet de réaliser en quelques instants, et à la demande, une multitude de jus 100% naturels !

La **J 80 Ultra/J 100 Ultra** est idéale pour la préparation instantanée de jus de fruits frais, ou exotiques, jus de légumes de toutes sortes, ainsi que des cocktails de jus raffinés, purs et naturels.

Elle a donc des applications aussi bien dans les bars, restaurants, cantines, foyers, crèches... que dans les cliniques, les cuisines diététiques, où les jus de fruits et de légumes frais ont une importance primordiale.

Les légumes comme les fruits, surtout crus apportent à l'organisme des vitamines, des minéraux et des fibres indispensables à notre santé. Les jus de légumes contiennent principalement des sels minéraux tandis que les jus de fruits contribuent au bon fonctionnement de l'organisme par leur teneur en vitamines.

LES SELS MINÉRAUX

La répartition des sels minéraux dans les aliments est irrégulière.

Certains minéraux comme le potassium, le magnésium, le soufre, le chlorure de sodium (sel) sont assez abondamment répandus pour qu'une alimentation variée en apporte toujours suffisamment. Mais pour certains minéraux, il est utile de connaître les aliments qui en sont riches.

Calcium : les légumes verts et les fruits.

Phosphore : les légumes secs.

Potassium : les légumes frais.

Fer : les épinards, le persil.

Iode : tous les végétaux.

TABLEAU DES VITAMINES FRUITS

Vitamines	B1	C	A	D
Abricots	•	•	•	•
Ananas	•	•	•	•
Cassis	•	•		•
Cerises	•	•	•	•
Citrons	•	•	•	•
Fraises	•	•		•
Framboises	•	•		•
Groseilles	•	•		•
Kiwis	•	•	•	•
Melons	•	•		•
Mûres	•	•	•	•
Oranges	•	•	•	•
Pamplemousses	•	•	•	•
Pêches	•	•		•
Poires	•	•		•
Pommes	•	•		•
Prunes	•	•		•
Raisins	•	•		•

TABLEAU DES VITAMINES LÉGUMES

Vitamines	B1/B6	A	E	K
Asperges	•		•	
Carottes	•	•	•	
Céleri branches		•	•	•
Céleri raves	•			
Choux	•	•	•	•
Concombres	•	•	•	
Courgettes	•	•	•	
Cresson	•	•	•	
Endives	•			
Épinards	•	•	•	•
Fenouil	•		•	
Laitues	•		•	
Navets	•			
Oignons	•			
Persil	•	•	•	
Poivrons	•	•	•	
Tomates	•	•		

La conception simple de cet appareil permet de monter et de démonter en un tour de main toutes les pièces faisant l'objet de manipulations fréquentes pour leur entretien ou nettoyage.

Afin de vous faciliter la tâche, nous avons décomposé dans ce manuel les différentes opérations de montage.

Cette notice contient des informations importantes élaborées pour que l'utilisateur tire le plus grand profit de sa centrifugeuse.

Aussi, nous vous conseillons vivement de lire cette notice avant la mise en route de l'appareil.

MISE EN SERVICE DE L'APPAREIL

Avant branchement, vérifier que la nature de l'alimentation de votre installation électrique corresponde à celle indiquée sur la plaque signalétique de l'appareil.

La centrifugeuse **J 80 Ultra/J 100 Ultra** est équipée d'un câble d'alimentation avec une prise standard monophasée.

Vérifier que la machine n'ait pas été endommagée lors des opérations de transport ou de déballage.

Il faut notamment veiller à l'intégrité du cordon d'alimentation et de la prise de courant.

ATTENTION

**CET APPAREIL DOIT ÊTRE IMPÉRATIVEMENT
RELIÉ À LA TERRE (RISQUE D'ÉLECTROCUTION).**

PHASES DE MONTAGE J80 Ultra



1) Placer le bloc moteur en positionnant les boutons Marche/Arrêt face à vous.



2) Poser la cuve sur le bloc moteur.



3) Emboîter correctement la Collerette sur la cuve.

Les nervures de la Collerette doivent être alignées avec les formes spéciales de la cuve. Vérifier que la pièce soit correctement insérée.



4) Positionner le panier, en le tenant par les anses de préhension.

Le faire tourner pour qu'il prenne sa position.



5) Aligner le Couvrete avec les encoches de la Collerette.



IMPORTANT

Assurez vous d'aligner correctement la goupille de l'axe moteur avec l'encoche correspondante du moyeu de panier.

Se référer également à l'étiquette (voir ci-dessous) collée sur le couvercle.





6) Positionner le Collecteur de pulpe.



7) Fermer le bras de sécurité.

Pour la mise en marche de l'appareil, appuyer sur le bouton Marche (I). La machine fonctionne uniquement si le bras de sécurité

est fermé correctement (interrupteur de sécurité).

Placer le pichet en-dessous du bec. Votre centrifugeuse est maintenant prête à l'action !

PHASES DE MONTAGE J 100 Ultra



1) Placer le bloc moteur en positionnant les boutons Marche/Arrêt face à vous.



2) Poser la cuve sur le bloc moteur.



3) Emboîter correctement la collerette sur la cuve.

Les nervures de la Collerette doivent être alignées avec les formes spéciales de la cuve. Vérifier que la pièce soit correctement insérée.



4) Positionner le panier, en le tenant par les anses de préhension.

Le faire tourner pour qu'il prenne sa position.



5) Aligner le Couvrete avec les encoches de la Collerette.



IMPORTANT

Assurez vous d'aligner correctement la goupille de l'axe moteur avec l'encoche correspondante du moyeu de panier.

Se référer également à l'étiquette (voir ci-dessous) collée sur le couvercle.



6) 2 possibilités d'utilisation :

- **Évacuation des résidus en continu.**



Positionner la **Trémie d'évacuation** des résidus en continu dans le trou du support.

Veiller à faire coïncider l'éjection des résidus avec un bac de récupération (non fourni).

- **Évacuation des résidus dans le Collecteur de pulpe.**



Positionner le **Collecteur de pulpe**



7) Fermer le bras de sécurité.

Pour la mise en marche de l'appareil, appuyer sur le bouton Marche (I). La machine fonctionne uniquement si le bras de sécurité

est fermé correctement (interrupteur de sécurité).

Placer le pichet en-dessous du bec. Votre centrifugeuse est maintenant prête à l'action !

8) Utilisation de la **Sangle** (voir p. 41) - (Option)



Pour l'utilisation en bord de table, accrocher la **Trémie d'évacuation** au **Couvercle** avec la **Sangle** fournie.

DIFFÉRENTES CONFIGURATIONS

La **J 100 Ultra** livrée avec tous ses accessoires a été étudiée pour s'adapter aux besoins et à l'environnement de chaque utilisateur.

Elle peut ainsi être configurée en fonction du poste de travail :









- Selon les hauteurs des récipients collectant le jus, utiliser ou non le **support 10** (voir p. 41).
- Pour une utilisation normale, le **Collecteur de pulpe 6** (voir p. 41) permet de traiter plus d'une dizaine de kilogrammes selon les produits avant d'être vidé.
- Pour une utilisation plus intensive, la **Trémie d'évacuation 7** (voir p. 41) permettra d'effectuer un service sans opération de vidage du Collecteur de pulpe. Cette utilisation nécessite la présence d'un bac de grande capacité (non fourni), positionné sous le poste de travail.

Pour cet usage, 2 solutions sont possibles :

- 1) Réalisation d'un trou **Ø 10 cm** dans le plan de travail pour faire déboucher la **Trémie d'évacuation 7** (voir figurines de présentation ci-contre). Cette solution permet une organisation optimale du poste de travail.
- 2) Utilisation en bord de table.
Pour permettre un positionnement correct de la machine, le **Support 10** (voir p. 41) comporte 2 repères latéraux permettant de positionner l'ensemble en bord de table.

Attention : S'assurer du bon positionnement de la machine pour éviter tout risque de chute de la machine.


- **Résumé des différentes configurations possibles en fonction du poste de travail et des récipients utilisés (à titre indicatif) :**

Contenant	Utilisation du Support de machine 10 (voir p. 41)	Intensité d'utilisation	Exemple de d'utilisation	
 Récipients Hauteur Maxi de 16 cm	Pas nécessaire	Normale	<ul style="list-style-type: none"> • Avec le Collecteur de pulpe 6 (voir p. 41) • Aucun trou nécessaire dans le plan de travail. 	
		Intensive	<ul style="list-style-type: none"> • Avec la Trémie d'évacuation 7 et la Sangle 9 (voir p. 41) • Utilisation en bord de table. Aucun trou nécessaire dans le plan de travail. <hr/> <ul style="list-style-type: none"> • Avec la Trémie d'évacuation 7 (voir p. 41) • Utilisation avec éjection sous le plan de travail. Réalisation d'un trou Ø 10 cm nécessaire dans le plan de travail. 	 
 Récipients Hauteur Maxi de 25 cm	Nécessaire si la hauteur du récipient dépasse 16 cm	Normale	<ul style="list-style-type: none"> • Avec le Collecteur de pulpe 6 (voir p. 41) • Aucun trou nécessaire dans le plan de travail. 	
		Intensive	<ul style="list-style-type: none"> • Avec la Trémie d'évacuation 7 (voir p. 41) • Utilisation en bord de table. Aucun trou nécessaire dans le plan de travail. <hr/> <ul style="list-style-type: none"> • Avec la Trémie d'évacuation 7 (voir p. 41) • Utilisation avec éjection sous le plan de travail. Réalisation d'un trou Ø 10 cm nécessaire dans le plan de travail. 	 

CONSEILS D'UTILISATION

• J80 Ultra • J100 Ultra

- Avant la première utilisation, il est préférable de nettoyer toutes les pièces en contact avec les aliments.
- Avant chaque utilisation, vérifier que le bras de sécurité soit correctement fermé.
- Lors de la mise en fonctionnement de la machine et avant le passage d'aliments dans la goulotte d'introduction, veiller à placer un pichet sous le bec et le Collecteur de pulpe ou la Trémie d'évacuation sous la goulotte d'évacuation.
- Il est nécessaire de peler les agrumes avant de les introduire dans la goulotte.

 - Les fruits et légumes à peau épaisse doivent être pelés (ex : ananas, mangue, ...) et tous les gros pépins doivent être retirés (ex : melon). Vous devez toujours dénoyauter les fruits à noyaux (ex. pêche, abricot, cerise,...). Toutes les rafles de raisin doivent être retirées avant de passer les grumes dans la centrifugeuse.


- Certains produits, de par leur consistance trop dure, comme la noix de coco ne sont pas adaptés pour la centrifugeuse.
- La centrifugeuse J80 Ultra/J100 Ultra est dotée d'un système unique breveté de traitement automatique des aliments, sans utilisation du poussoir.
- Aussi, pour tirer le meilleur parti de l'utilisation de la J80 Ultra/J100 Ultra, il faut alimenter manuellement (sans Poussoir) la goulotte avec les produits au fur et à mesure de leur traitement par la machine.
- Introduisez les morceaux de fruits et les légumes dans la goulotte par petites quantités.
- En fin d'utilisation, laissez tourner l'appareil encore quelques secondes pour finir l'extraction des jus.

- Ne pas mettre de glaçons ou fruits congelés dans la goulotte.
- La répartition des résidus dans le panier peut créer un balourd. Si la centrifugeuse se met à vibrer en cours d'opération, arrêtez l'appareil et nettoyez le Panier. Ensuite, reprenez normalement le travail.
- Vérifier que la Colerette et le Couvercle soient correctement assemblés.

• J80 Ultra

- Avec la J80 Ultra, vous pouvez produire plusieurs litres de jus sans vider le Collecteur de pulpe. Cependant, vérifiez régulièrement le remplissage du Collecteur de pulpe.
- Vérifier que la Colerette et le Couvercle soient correctement assemblés.
- Toujours s'assurer que le Collecteur de pulpe soit correctement mis en place.

• J100 Ultra

- J100 Ultra avec Collecteur de pulpe : Vous pouvez produire plusieurs litres de jus sans vider le Collecteur de pulpe. Cependant, vérifiez régulièrement le remplissage du Collecteur de pulpe.
- J100 Ultra avec trémie d'évacuation : La Trémie d'évacuation (fournie avec la machine) est un accessoire étudié pour une utilisation intensive de la machine. Elle évite le vidage répété du Collecteur de pulpe durant le service.
-  - Pour une utilisation en bord de table, il faut veiller à ce que les pieds portent correctement sur la table. En outre, il faut organiser l'espace de travail pour éviter un basculement ou la chute de l'appareil.

Nota : Pour une utilisation quotidienne importante, préférer l'utilisation de la Trémie d'évacuation des résidus en continu, avec ou sans le Support de machine.

Préparation des fruits J80 Ultra • J100 Ultra

	Mode opératoire
CAROTTES	Carottes pelées entières, bouts coupés, passées en machine par 2 ou par 3.
POMMES	Pommes entières (lavées, sans étiquette et sans queue).
FRAISES	Enlever les queues pour le goût.
AGRUMES	Éplucher les agrumes. Citrons ou oranges entiers sans prédécoupe.
ANANAS	Éplucher et couper en 8 morceaux (3 coups de couteau).
MELONS	Éplucher et couper en 8 morceaux.
TOMATES	Entières, lavées sans la partie verte. Mettre dans la goulotte 2 ou 3 tomates.
POIVRONS	Lavés. Couper en 4 morceaux longitudinaux selon la forme des poivrons.
CELERI	Couper en morceaux d'environ 6 à 7 cm de côté.
CONCOMBRES	Pelés. Couper en morceaux d'environ 15 cm de long.
FENOUIL	Couper en morceaux d'environ 6 à 7 cm de côté.
GINGEMBRE	Couper en morceaux pour une introduction aisée dans la goulotte. Ne pas trop charger pour éviter un coincement des morceaux entre eux.
RAISIN	Enlever les rafles pour éviter l'amertume.

ATTENTION

Bien nettoyer les fruits et les légumes pour éliminer toutes traces de pesticides ou salissures qu'ils auraient pu subir.

NETTOYAGE

- Débranchez toujours l'appareil avant toute opération de nettoyage.
- Entre 2 lots de fruits différents, vous pouvez rincer la machine avec de l'eau potable (1 verre), versée par la goulotte d'introduction de la machine mise en marche.



- Nettoyez le panier en frottant la partie extérieure du cône filtrant, afin d'enlever les résidus. Utiliser une brosse ou une éponge grattante.

- Pour un nettoyage correct, enlever la collerette de la cuve avant le nettoyage.
- Toujours nettoyer l'appareil dans sa totalité après utilisation, en passant la collerette, la cuve, le couvercle et le poussoir à l'eau chaude. Frotter avec une brosse à l'aide d'un détergent adapté.
- Pour éviter tout dommage, ne pas taper les pièces contre une surface dure.

***Astuce :** Si la pulpe a séché sur le panier, plonger le panier 5 à 10 minutes dans l'eau chaude pour faciliter le nettoyage.

IMPORTANT

Vérifiez que votre détergent soit utilisable sur les pièces en matière plastique et en acier inoxydable. En effet, certains agents lessiviels trop alcalins (avec forte concentration en soude ou en ammoniacque par exemple) sont totalement incompatibles avec certaines matières plastiques et les détériorent très rapidement.



IMPORTANT

Ne jamais plonger le bloc moteur dans l'eau ou dans d'autres liquides et ne pas l'asperger !

Ne pas nettoyer au jet d'eau ni au canon à mousse.

Si nécessaire essuyer le bloc moteur avec un chiffon humide.

Retirer auparavant la fiche de la prise de courant.

CARACTÉRISTIQUES TECHNIQUES

- **Bloc moteur** → en acier inoxydable
- **Cuve** → en acier inoxydable
- **Panier centrifugeur** → en acier inoxydable
- **Disque râpeur** → en acier inoxydable
- **Moteur électrique ventilé** → nombre de tours constant (3000 tr/min.)
- **Débit** → **100 à 120 kg/heure** de fruits ou de légumes* pour la J 80 Ultra.
120 à 160 kg/heure pour la J 100 Ultra.

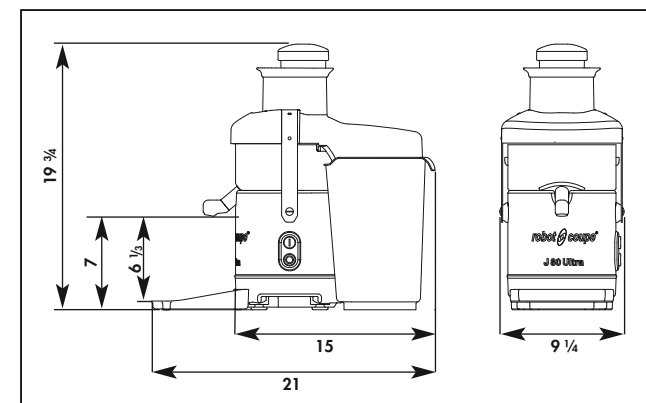
* Dans des conditions optimales de production, c'est-à-dire : un plan de travail adapté, des fruits préparés et des accessoires (pichet, poubelle, ...) à portée de main.

• POIDS (En livres)

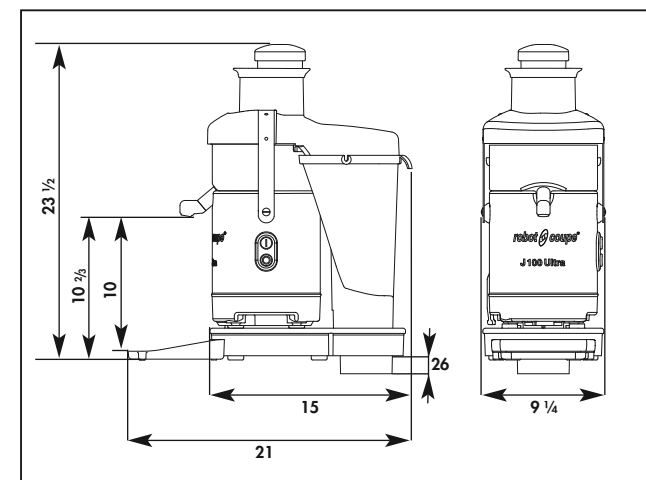
	Net	Emballé
J 80 Ultra	24	28.2
J 100 Ultra	28.4	34.4

• DIMENSIONS (en pouces)

J 80 Ultra



J 100 Ultra



• HAUTEUR DE TRAVAIL

Nous vous conseillons d'installer la centrifugeuse J 80 Ultra/J 100 Ultra sur une surface plane et stable à hauteur compatible avec son utilisation.

• NIVEAU DE BRUIT

Le niveau continu équivalent de pression acoustique en fonctionnement à vide de la centrifugeuse est inférieur à 70 dB (A).

• CARACTERISTIQUES ELECTRIQUES

J80 Ultra

Moteur	Vitesse (tr/min)	Puissance (Watts)	Intensité (Amp.)
120V / 60Hz	3450	700	9

J 100 Ultra

Moteur	Vitesse (tr/min)	Puissance (Watts)	Intensité (Amp.)
120V / 60Hz	3400	850	9


SÉCURITE

- La **J 80 Ultra/J 100 Ultra** se met en marche uniquement lorsque le **Couvercle** est correctement positionné et que le bras de sécurité est correctement verrouillé. Le moteur s'arrête à l'ouverture du bras de sécurité ou lors de l'appui sur le bouton Arrêt (bouton rouge).
- La **J 80 Ultra/J 100 Ultra** est dotée d'un puissant frein électrique qui arrête la machine en moins de 2 secondes si l'utilisateur ouvre le bras de sécurité de sa machine en fonctionnement.
- Pour remettre en marche votre appareil, il suffit de reverrouiller le bras de sécurité sur le **Couvercle** et d'appuyer sur le bouton Marche (bouton vert).
- La **J 100 Ultra** est équipée d'un **disjoncteur thermique** qui arrête automatiquement le moteur en cas de fonctionnement en surcharge prolongé. Dans ce cas, attendre le refroidissement de l'appareil avant de réarmer le bouton du **disjoncteur thermique** situé sous la machine.

- **ATTENTION** : Toujours utiliser l'appareil avec le Collecteur de pulpe ou la Trémie d'évacuation des résidus en continu (pour la **J 100 Ultra**) mis en place.
- Arrêter la machine avant d'enlever le Collecteur de pulpe ou la Trémie d'évacuation des résidus en continu (pour la **J 100 Ultra**).
- Ne jamais introduire la main ou un quelconque autre objet dans la goulotte d'évacuation si la machine est branchée ou si le Panier est en rotation.
- Ne jamais retirer la fiche de la prise de courant par le câble ou avec des mains humides.

! R A P P E L

- **Ne jamais essayer de supprimer les systèmes de verrouillage et de sécurité**
- **Ne pas mettre de produits non-alimentaires dans la goulotte**
- **La machine est équipée d'un Couvercle de conception unique breveté qui assure son fonctionnement automatique. Vous devez juste introduire les aliments par la goulotte d'alimentation et la machine fera le reste.**
- **Toutefois, si les produits se coincent à l'intérieur de la goulotte, NE JAMAIS UTILISER un autre objet que le Poussoir pour pousser le produit. Autre solution : arrêter la machine et enlever les produits de la goulotte d'alimentation.**
- **Ne jamais utiliser la main pour pousser les produits dans la goulotte d'alimentation.**
- **Ne jamais introduire la main ou un quelconque autre objet dans la goulotte d'évacuation si la machine est branchée ou si le Panier est en rotation.**



EN CAS DE PROBLÈME

SYMPTÔMES	CAUSES ET/OU REMÈDES
L'appareil ne fonctionne pas.	<ul style="list-style-type: none"> - Contrôler les fusibles de votre installation électrique. - Fermer le bras de sécurité correctement. <p>J 100 Ultra :</p> <ul style="list-style-type: none"> - Vérifiez que le bouton du disjoncteur thermique (sous l'appareil) soit armé.
Bruit anormal.	<ul style="list-style-type: none"> - L'appareil n'a pas été monté correctement. Voir chapitre "Montage". - Une pièce est défectueuse. Changer la pièce.
Mauvaise efficacité du râpage	<ul style="list-style-type: none"> - Le disque râpeur est usé. Remplacer le disque râpeur à l'intérieur du panier. - Des aliments sont coincés dans la goulotte d'alimentation. Retirer les aliments.
L'appareil vibre.	<ul style="list-style-type: none"> - Le collecteur de pulpe est plein ou le panier présente un balourd dû à la pulpe sur le filtre. - Si la vibration est permanente. Vérifier que le panier ne soit pas endommagé.
Le panier ne s'arrête pas immédiatement lors de l'ouverture du bras de sécurité. Le temps d'arrêt est supérieur à 2 secondes.	<ul style="list-style-type: none"> - Faites contrôler la machine par un personnel qualifié.

IMPORTANT : En cas d'intervention, il est impératif d'utiliser des pièces d'origine Robot-Coupe.

DÉPANNAGE

Regarder la garantie au préalable.

Si votre appareil a besoin d'être réparé, vérifier avec votre distributeur le service après-vente le plus proche.

Si il n'en a pas ou si vous souhaitez que votre appareil soit réparé à l'usine, nous contacter pour obtenir un numéro d'autorisation de retour de la marchandise (RMA), et dès réception, l'expédier en port payé et assuré à l'adresse de l'usine.

PH : 1-800-824-1646

Robot Coupe U.S.A. Inc.

Service Department

264 South Perkins St.,

Ridgeland, MS 39157

Pour le service après-vente sur le Canada, contacter l'usine Robot-Coupe aux USA.

RECETTES

Légumes et fruits se mélangent à l'infini pour donner des breuvages colorés, 100 % naturels. Laissez libre cours à votre imagination... en respectant toutefois les quelques règles d'or en matière de cocktails :

- *Utiliser toujours des fruits non traités.*
- *Le shaker rend plus homogène les mélanges opaques.*
- *Remplir le shaker de glaçons jusqu'à mi-hauteur de la partie inférieure. Ne pas agiter trop longtemps car la glace se transforme en eau et détruit les cocktails.*

Voici quelques recettes de cocktails prévues pour environ 4 personnes.

PÊCHE PÉTILLANTE

Ingrédients (pour 3 verres) :

- 6 pêches dénoyautées
- ½ citron
- 1 grosse pincée de noix de muscade moulue
- 300 ml de soda
- 1 tranche fine de gingembre

Préparation : dénoyotez les pêches et pelez le citron. Il n'y a pas besoin de peler le gingembre. Passez dans l'ordre les pêches, le gingembre et le citron dans la centrifugeuse J80 Ultra/J100 Ultra.

Puis mélangez la noix de muscade moulue et le soda avec le jus. Répartissez la préparation dans trois verres.

Idée déco : décorez les verres avec des fines tranches de pêche.

Autre idée : Pour ce jus vous pouvez utiliser les pêches blanches et jaunes.

PASTÈQUE AU MIEL

Ingrédients (pour 3 verres) :

- 750 g de pastèque
- ½ citron pelé
- 20 g de miel
- 20 g d'eau

Préparation : faites bouillir le miel et l'eau. Laissez refroidir.

Enlevez l'écorce de la pastèque, l'épépiner et la couper en gros morceaux.

Mettez la pastèque et le citron pelé dans la centrifugeuse J80 Ultra/J100 Ultra.

Dans le verre versez d'abord le miel et ensuite le jus de pastèque.

Idée déco : servez avec les tranches fines de pastèque.

BOOSTING CARROTTS

Ingrédients (pour 4 verres) :

- 4 carottes
- 4 oranges
- 1 tranche fine de gingembre
- glaçons

Préparation : lavez les carottes. Inutile de peler les carottes, lavez-les en les brossant. Épluchez les oranges. Passez-les avec le gingembre et les carottes dans la centrifugeuse J80 Ultra/J100 Ultra.

Répartissez la préparation ainsi obtenue dans quatre verres. Ajoutez des glaçons et servez aussitôt.

Idée déco : décorez avec une tranche d'orange et une olive.

CONCOMBRE AU LAIT

Ingrédients (pour 4 verres) :

- 1 concombre
- 4 pommes granny
- 3 c. à s. d'aneth
- ½ citron
- lait de chèvre

Préparation : il n'est pas nécessaire de peler le concombre car sa peau contient des vitamines et apporte plus de couleur au jus. Préférez dans ce cas les concombres bio. Passez les concombres, les pommes, l'aneth à la J 80 Ultra puis le demi-citron épluché dans la centrifugeuse J 80 Ultra/J 100 Ultra. Puis mélangez le lait de chèvre avec le jus.

Idée déco : présentez avec des fines rondelles de radis coupé à l'aide de votre coupe-légumes Robot-Coupe en éminceur 1 mm.

ROUGE BONBON

Ingrédients (pour 4 verres) :

- 300 g de fraises
- 3 carottes
- ¼ d'ananas

Préparation : épluchez l'ananas avant de le passer dans la centrifugeuse. Il n'y a pas besoin d'équeuter les fraises, leurs queues sont automatiquement éjectées dans le bac à résidus.

Passez dans l'ordre le ¼ d'ananas, les fraises, les carottes dans la centrifugeuse J 80 Ultra/J 100 Ultra. Mélangez bien et décorez les verres avec des tranches de fraises.

Autre idée : relevez votre cocktail avec des épices moulues comme vanille, cardamome ou gingembre.

POMME-KIWI

Ingrédients (pour 3 verres) :

- 3 pommes vertes granny-smith
- ½ citron vert
- 3 kiwis

Préparation : épluchez le citron. Pelez les kiwis pour garder la couleur verte du cocktail. Passez-les avec les pommes et le citron vert dans la centrifugeuse J 80 Ultra/J 100 Ultra.

Mélangez avec une cuillère et servez aussitôt car la pomme s'oxyde vite.

Autre idée : si vous trouvez le jus trop acide, n'hésitez pas à ajouter un peu de miel ou de sucre de canne. Les kiwis peuvent être remplacés par un concombre ou une branche de céleri.

DOUX PAMPLEMOUSSE

Ingrédients (pour 3 verres) :

- 250 g d'orange
- 250 g de pamplemousse
- 250 g de fraises

Préparation : épluchez les oranges et le pamplemousse pour éviter l'amertume. Passez le tout dans la centrifugeuse J 80 Ultra/J 100 Ultra.

Mélangez bien et répartissez le jus dans les verres.

Autre idée : si vous trouvez le jus trop acide, n'hésitez pas à ajouter un peu de miel ou de sucre de canne.

COCKTAIL ORIENTAL

Ingrédients (pour 3 verres) :

- ½ d'ananas
- 3 oranges
- 1 cuillère à café de l'extrait de vanille liquide

Préparation : épluchez les agrumes et l'ananas. Passez d'abord l'ananas, ensuite les agrumes dans la centrifugeuse J 80 Ultra/J 100 Ultra.

Mélangez l'extrait de vanille avec le jus et servez la préparation dans les petits verres à vodka.

Autre idée : remplacer les oranges par du lait de coco

CLASSIQUE

Ingrédients (pour 3 verres) :

- 4 carottes
- 3 pommes
- 1 citron

Préparation : pelez le citron. Inutile de peler les carottes, lavez-les en les brossant. Passez les carottes, les pommes et le citron dans la centrifugeuse J 80 Ultra/J 100 Ultra.

Mélangez bien et servez.

Autre idée : vous pouvez remplacer les pommes par des poires.

GASPACHO

Ingrédients (pour 3 verres) :

- 500 g de tomates bien mûres
- ½ petit poivron rouge
- ½ concombre
- ½ petite branche de céleri
- 1 c.a.s. huile d'olive
- vinaigre de xérès
- sel
- poivre

Préparation : passer le tout dans la centrifugeuse, ensuite ajouter l'huile d'olive, une goutte de vinaigre, le sel. Décorez d'un filet de citron et une tranche de tomate. Servez le gaspacho en début de repas pour profiter des vertus apéritives de la tomate.

MELON

Ingrédients (pour 3 verres) :

- 400 g de melon vert
- 1 pomme granny-smith
- ½ citron

Préparation : enlevez l'écorce du melon, l'épépinez et le coupez en gros morceaux. Passez le melon, le demi-citron et la pomme dans la centrifugeuse J 80 Ultra/J 100 Ultra.

Mélangez avec une cuillère et servez aussitôt. Aromatisez le tout avec quelques feuilles de menthe.

Idée déco : décorez avec les petits cubes de melon coupés à l'aide de votre coupe-légumes Robot-Coupe (utilisez l'équipement macédoine 5 x 5 x 5 mm).

POIRES-MELON AU CURCUMA

Ingrédients (pour 4 verres) :

- 1400 g de melon jaune
- 1 pamplemousse
- ½ poire
- ½ pomme golden
- 1 tranche fine de gingembre
- ½ bâton de citronnelle
- 1 pointe de curcuma

Préparation : épluchez le melon et le pamplemousse. Passez dans l'ordre pomme, gingembre, bâton de citronnelle, poire, melon, pamplemousse, dans la centrifugeuse J 80 Ultra/J 100 Ultra. Mélangez bien et répartissez la préparation dans 4 verres.

Idée déco : décorez les verres avec les fines tranches de poire coupées à l'aide de votre coupe-légumes Robot-Coupe (utilisez le disque éminceur 1 mm).

POMME-CELERI

Ingrédients (pour 4 verres) :

- 4 pommes granny
- 2 branches de céleri
- 1 tranche fine de gingembre
- ½ citron jaune
- Sel

Préparation : lavez bien les branches de céleri. Passez dans l'ordre céleri, gingembre et pommes vertes dans la centrifugeuse J 80 Ultra/J 100 Ultra. Ajoutez un peu de sel dans la préparation. Servez aussitôt car la pomme s'oxyde vite.

Idée déco : Décorez avec les fines tranches de pommes coupées à l'aide de votre coupe-légumes Robot-Coupe (disque éminceur 1 mm).

Autre idée : vous pouvez remplacer les pommes par des poires.

RED COCKTAIL

Ingrédients (pour 4 verres) :

- 1 betterave cuite
- 2 carottes
- 2 petites grappes de raisins rouges
- 2 pommes granny
- poivre Cayenne

Préparation : introduire la betterave et les fruits dans la centrifugeuse J 80 Ultra/J 100 Ultra.

Relevez le jus avec du poivre de Cayenne et servez très frais.

idée déco : décorez le verre avec une tranche de mini-betterave.

SHOOT ASPERGES

Ingrédients (pour 3 verres) :

- 1 kg d'asperges
- 1 pincée de piment d'Espelette
- 1 pincée de fleur de sel

Préparation : épluchez les asperges et éliminez les extrémités dures.

Passez-les directement dans la centrifugeuse J 80 Ultra/J 100 Ultra.

Assaisonnez le tout avec un peu de piment d'Espelette et de fleur de sel.

Servez en accompagnement d'un plat de saumon.

robot  ***coupe***®

TECHNICAL DATA

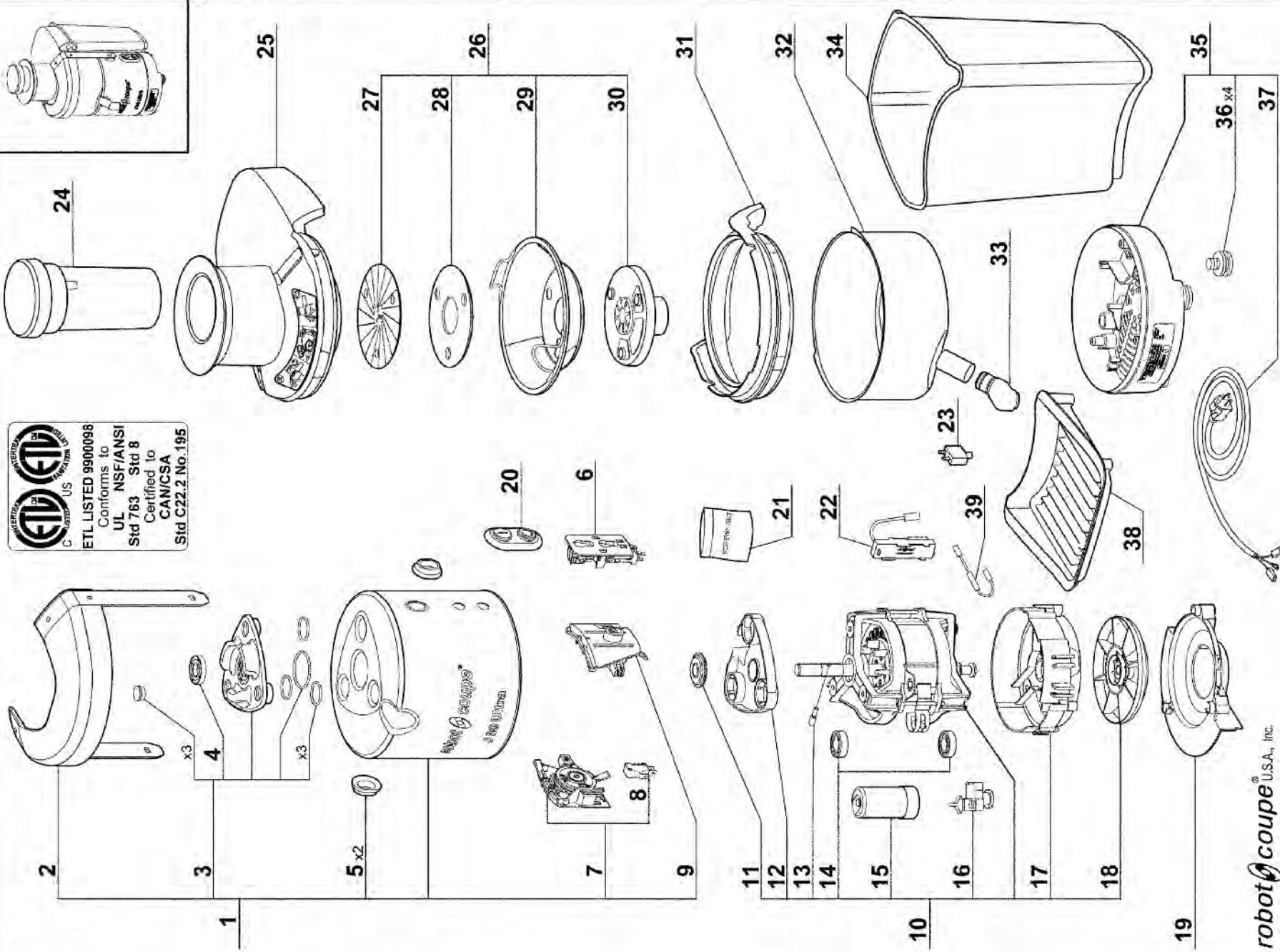
DATOS TECNICOS

DONNÉES TECHNIQUES

robotcoupe® U.S.A., Inc.

J 80 Ultra
Serial number 521xxxxx03

1 Speed, 120 Volt, 1 Phase
60Hz, 1 HP, 3450 RPM, 9 Amps



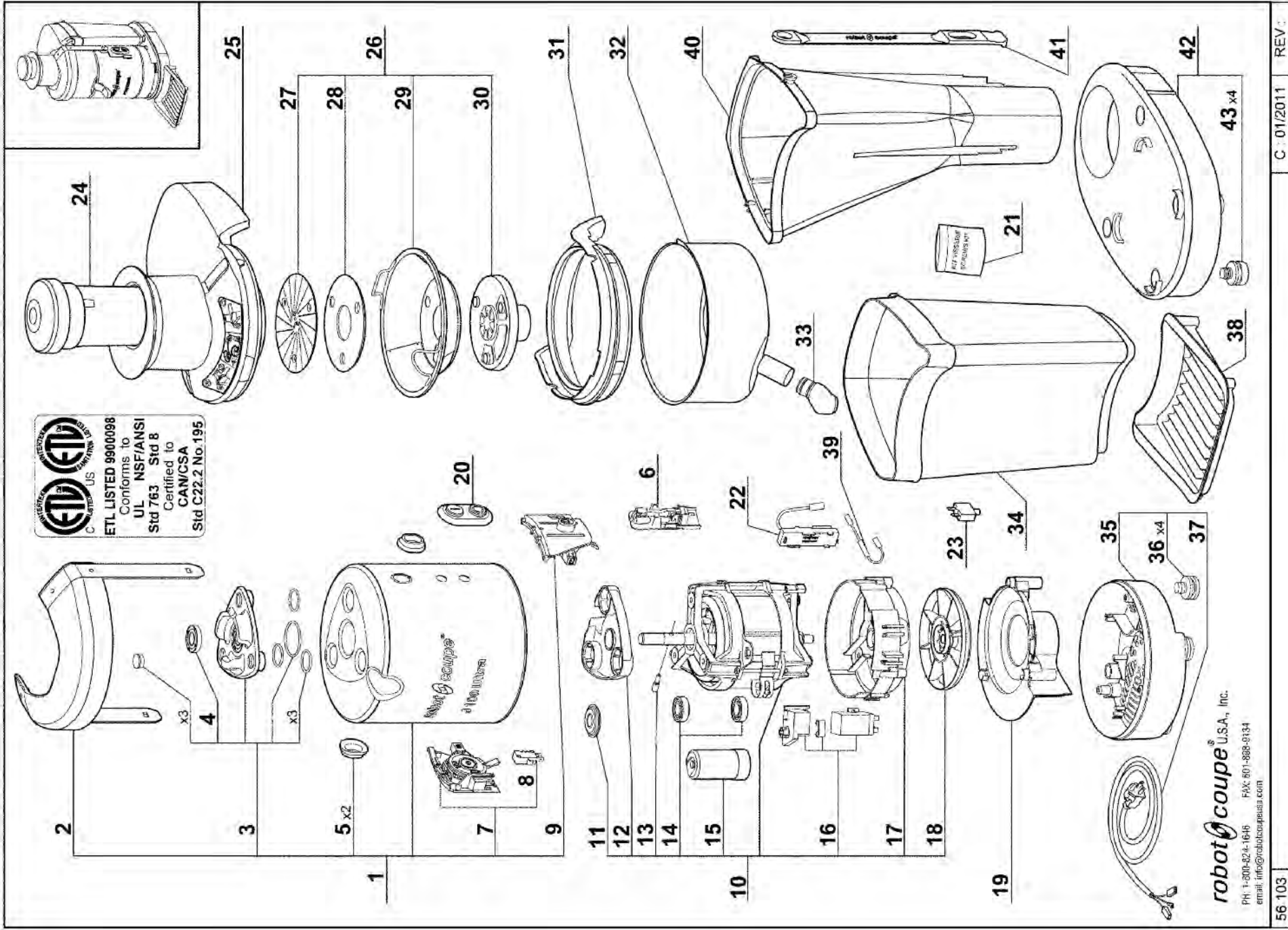
robotcoupe® U.S.A., Inc.

Ph. 1-800-824-1646 FAX: 801-888-9134
email: info@robotcoupeusa.com

56 003

Maj: 06/2011 REV: c

Index	Pièce / Part	Description
1	39 982	MOTOR SUPPORT ASSEMBLY
2	39 896	LOCKING LEVER
3	39 897	BOWL CENTRING
4	501 010S	SHAFT SEAL
5	39 898	BEARING CACHE (Qty = 2)
6	39 899	ON/OFF BLOCK ASSEMBLY
7	39 900	LEFT BEARING ASSEMBLY
8	507 007S	SWITCH
9	39 901	RIGHT BEARING ASSEMBLY
10	39 924	MOTOR
11	39 902	SHAFT DEFLECTOR
12	39 903	MOTOR CENTRING
13	39 904	MOTOR SHAFT PIN
14	39 905	BALL BEARINGS KIT
15	600 089S	CAPACITOR
16	500 296S	MOTOR STARTING RELAY
17	39 906	BAFFLE
18	118 512S	MOTOR FAN
19	39 907	MOTOR DEFLECTOR
20	39 927	CONTROL PANEL ASSEMBLY
21	39 960	SCREWS SET (including all screws for the motor base)
22	39 894	BRAKING MODULE
23	39 590	CIRCUIT BREAKER
24	39 908	PUSHER
25	39 909	LID
26	39 910	BASKET ASSEMBLY
27	39 911	GRATER
28	39 929	ANGLED SPACER
29	39 912	SIEVE
30	39 913	HUB
31	39 914	BOWL FLANGE
32	39 915	BOWL
33	39 916	SPOUT
34	39 917	PULP COLLECTOR
35	39 983	BASE ASSEMBLY
36	39 928	FEET (Qty = 4)
37	39 890	POWER CORD
38	39 516	DRIP TRAY
39	39 587	RESISTOR



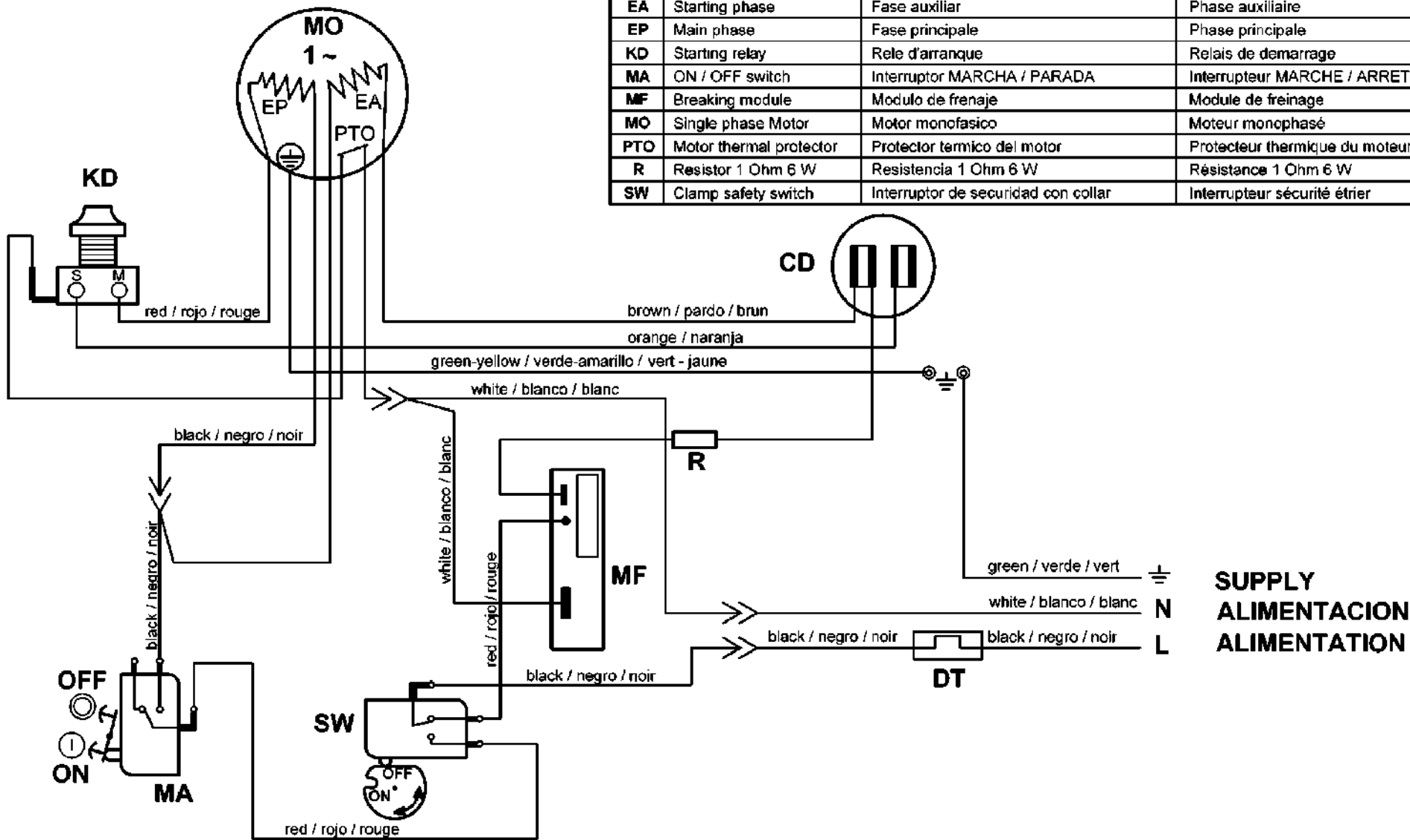



 ETL LISTED 9900098
 Conforms to
 UL NSF/ANSI
 Std 763 Std 8
 Certified to
 CAN/CSA
 Std C22.2 No. 195

Index	Pièce / Part	Description
1	39 512	MOTOR SUPPORT ASSEMBLY
2	39 896	LOCKING LEVER
3	39 897	BOWL CENTRING
4	501 010S	SHAFT SEAL
5	39 898	BEARING CACHE (Qty = 2)
6	39 899	ON/OFF BLOCK ASSEMBLY
7	39 900	LEFT BEARING ASSEMBLY
8	507 007S	SWITCH
9	39 901	RIGHT BEARING ASSEMBLY
10	39 524	MOTOR
11	39 902	SHAFT DEFLECTOR
12	39 903	MOTOR CENTRING
13	39 904	MOTOR SHAFT PIN
14	39 905	BALL BEARINGS KIT
15	600 089S	CAPACITOR
16	39 588	MOTOR STARTING RELAY
17	39 906	BAFFLE
18	118 512S	MOTOR FAN
19	39 509	MOTOR DEFLECTOR
20	39 927	CONTROL PANEL ASSEMBLY
21	39 514	SCREWS KIT (including all screws for the motor base)
22	39 894	BRAKING MODULE
23	39 590	CIRCUIT BREAKER
24	39 908	PUSHER
25	39 909	LID
26	39 910	BASKET ASSEMBLY
27	39 911	GRATER
28	39 929	ANGLED SPACER
29	39 912	SIEVE
30	39 913	HUB
31	39 914	BOWL FLANGE
32	39 915	BOWL
33	39 916	SPOUT
34	39 513	PULP COLLECTOR
35	39 983	BASE ASSEMBLY
36	39 928	FEET (Qty = 4)
37	39 890	POWER CORD
38	39 516	DRIP TRAY
39	39 587	RESISTOR
40	39 522	CONTINUOUS PULP EJECTION
41	39 510	STRAP
42	39 515	MACHINE BASE
43	39 833	MACHINE BASE FEET (Qty = 4)

Serial # : from 52101591 03 D - 07

	English	Espanol	Français
CD	Starting capacitor	Condensador d'arranque	Condensateur de démarrage
DT	Circuit breaker 12 A	Disyuntor 12 A	Coupe-circuit 12 A
EA	Starting phase	Fase auxiliar	Phase auxiliaire
EP	Main phase	Fase principal	Phase principale
KD	Starting relay	Rele d'arranque	Relais de démarrage
MA	ON / OFF switch	Interruptor MARCHA / PARADA	Interrupteur MARCHÉ / ARRÊT
MF	Breaking module	Modulo de frenaje	Module de freinage
MO	Single phase Motor	Motor monofasico	Moteur monophasé
PTO	Motor thermal protector	Protector termico del motor	Protecteur thermique du moteur
R	Resistor 1 Ohm 6 W	Resistencia 1 Ohm 6 W	Résistance 1 Ohm 6 W
SW	Clamp safety switch	Interruptor de seguridad con collar	Interrupteur sécurité étrier



ELECTRIC DIAGRAM

J 100 Ultra

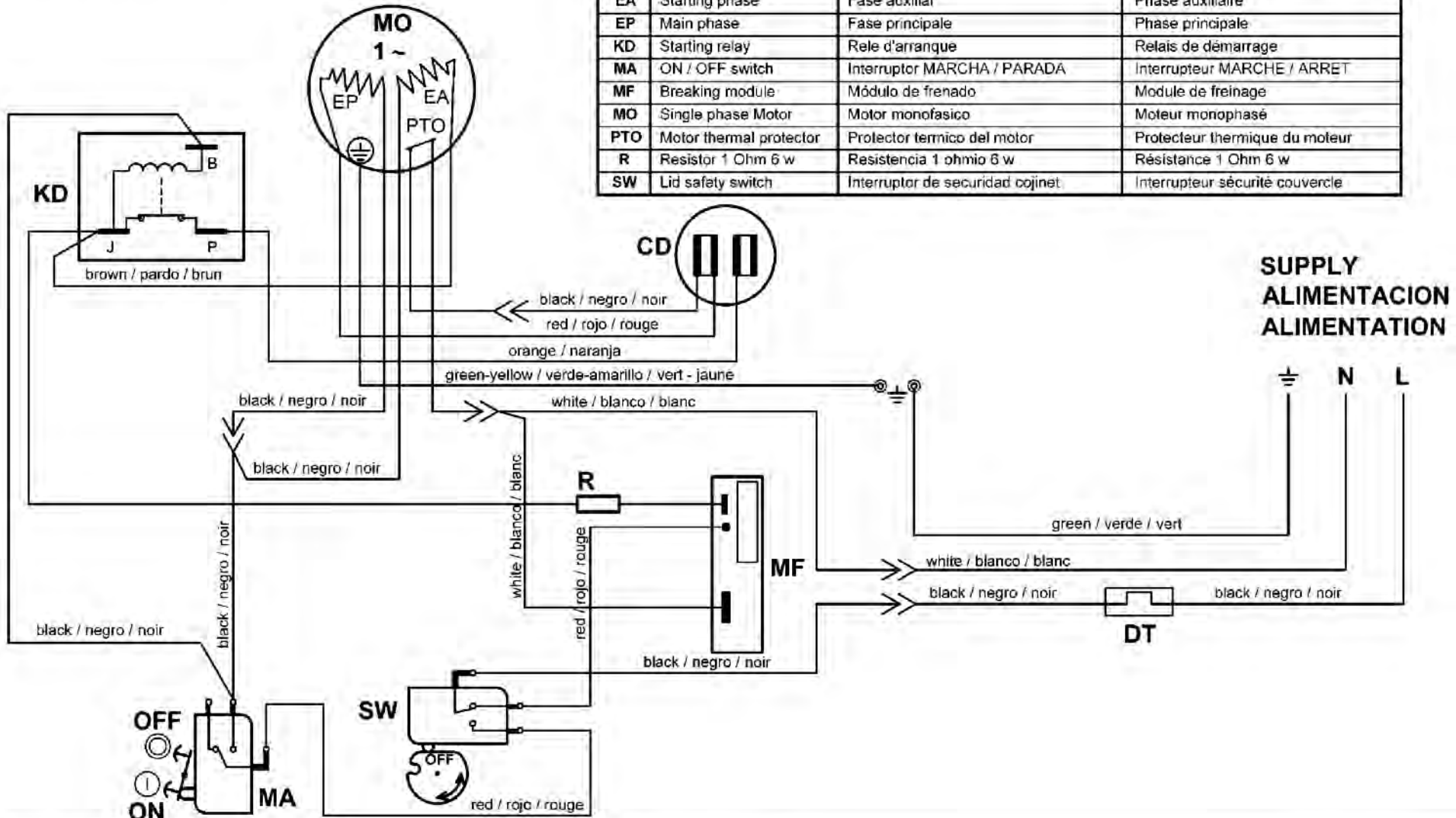
120V/60Hz Single phase

ESQUEMA CONEXIONES

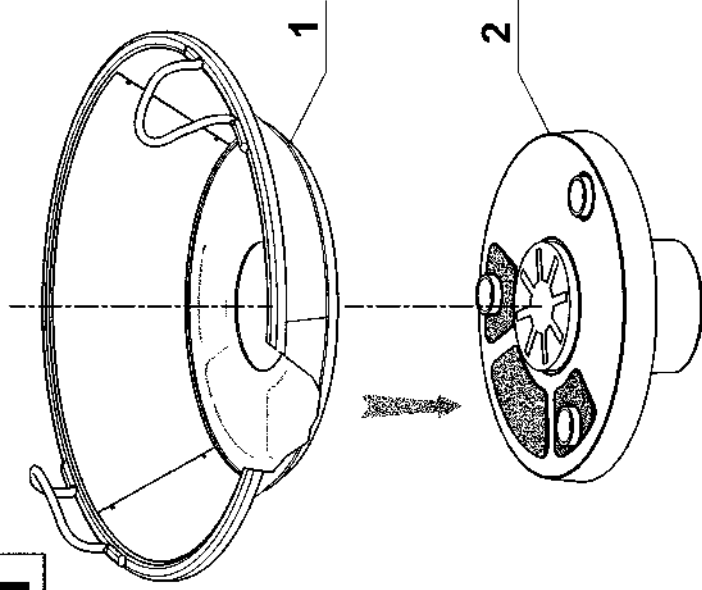
SCHEMA ELECTRIQUE

Serial # : from 603XXXXX 03 D - 11

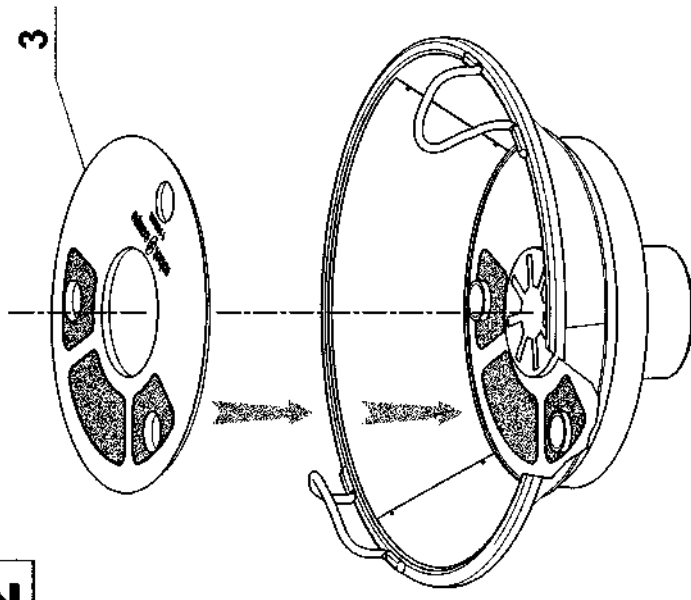
	English	Espanol	Français
CD	Starting capacitor	Condensador d'arranque	Condensateur de démarrage
DT	Circuit breaker 12 A	Disyuntor 12 A	Coupe-circuit 12 A
EA	Starting phase	Fase auxiliar	Phase auxiliaire
EP	Main phase	Fase principal	Phase principale
KD	Starting relay	Rele d'arranque	Relais de démarrage
MA	ON / OFF switch	Interruptor MARCHA / PARADA	Interrupteur MARCHÉ / ARRÊT
MF	Breaking module	Módulo de frenado	Module de freinage
MO	Single phase Motor	Motor monofasico	Moteur monophasé
PTO	Motor thermal protector	Protector termico del motor	Protecteur thermique du moteur
R	Resistor 1 Ohm 6 w	Resistencia 1 ohmio 6 w	Résistance 1 Ohm 6 w
SW	Lid safety switch	Interruptor de seguridad cojinet	Interrupteur sécurité couvercle



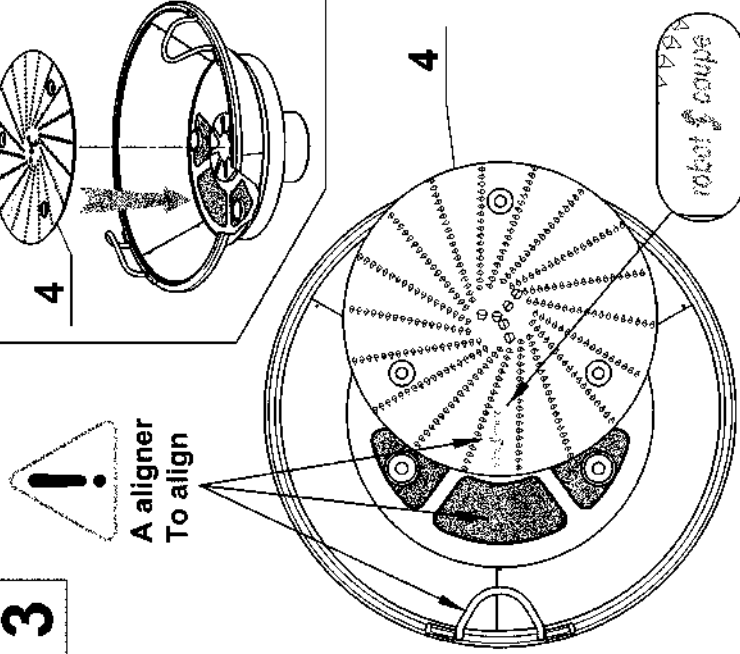
1



2

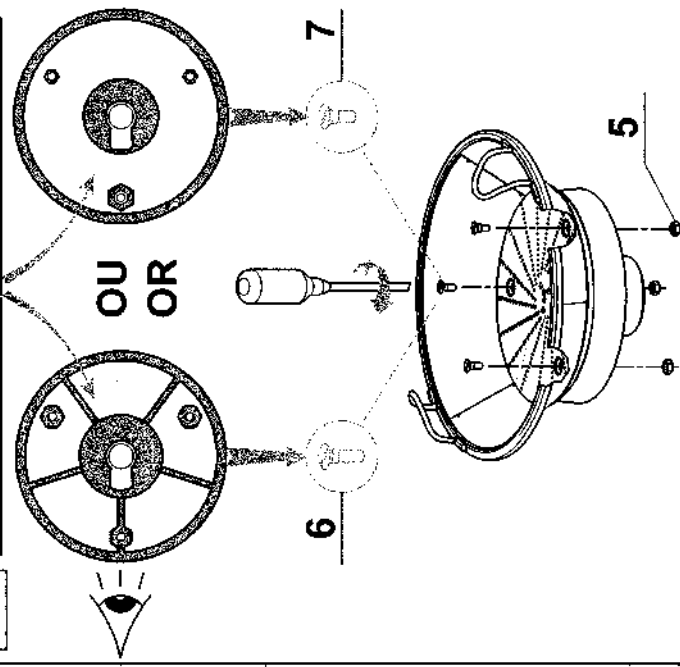


3



4

**! VERIFIER LA FORME DU MOYEU
CHECK THE HUB SHAPE**



Index	Pièce / Part	Désignation	Description	Quantité / Quantity
1	39 912	FILTRE	SIEVE	1
2	39 913	MOYEU	HUB	1
3	39 929	RONDELLE INCLINEE	ANGLED SPACER	1
4	39 911	DISQUE RAPEUR	GRATER	1
5	206 162	ECROU HM4 INOX	NUT HM4 (Stainless Steel)	3
6	200 123	VIS F M4x12 INOX	SCREW M4x12 (Stainless Steel)	3
7	206 972	VIS F M4x10 INOX	SCREW M4x10 (Stainless Steel)	3



robot  coupe®

Robot-coupe USA. Inc.

P.O. Box 16625, Jackson, MS 39236-6625

264 South Perkins St., Ridgeland, MS 39157

e-mail: info@robotcoupeusa.com

website: www.robotcoupeusa.com

Phone : 1-800-824-1646