



Item No.: \_\_\_\_\_  
 Order No.: \_\_\_\_\_  
 Qty: \_\_\_\_\_ Date: \_\_\_\_\_

**SINK SPLASH GUARD FOR COMPARTMENT SINK - INSERT TYPE**

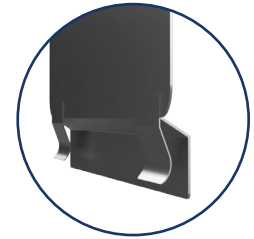
**Features**

- Designed for round edge compartment sinks
- SP-SH1810L/R for 18" compartment sink  
SP-SH2410L/R for 24" compartment sink
- Installs onto the left and right side of your compartment sink
- Made of 17 gauge stainless steel
- Keeps walls and floors free of dangerous, unsightly



**Intertek**

**Insert Type  
(SP-SHxxxxL/R)**

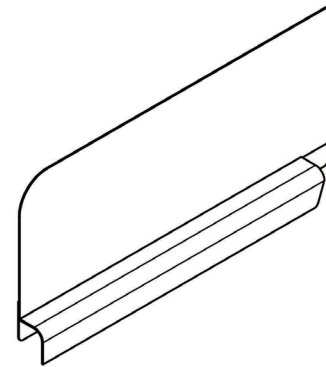
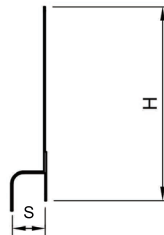
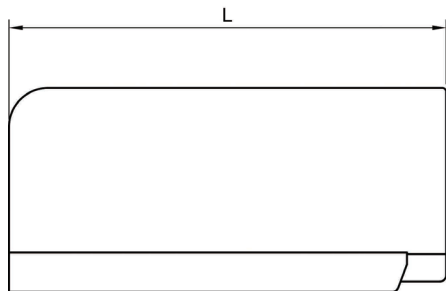


**SP-2018  
(clip Type)**

**Description Sink Splash Guard For Compartment Sink (Insert Type)**

Use this splash guard protection to quickly and affordably avoid food contact surfaces, or utensil washing and storage area surfaces! Instead of investing in a complete sink replacement or devoting a substantial amount of valuable time to a complex alternative splash guard installation, this splash guard gives you everything you need to get up to code in a fraction of the time and at a fraction of the cost.

**Plan View SP-SH1810L (Insert Type)**



Order No.	Dimension (L x H)	Description	S (insert space) (in)	G.W (lbs)	Qty./ Case
SP-SH1810L	21-15/16 x 11	18" Left Side Insert Type	1-5/8	51	10
SP-SH1810R	21-15/16 x 11	18" Right Side Insert Type	1-5/8	51	10
SP-SH2410L	27-15/16 x 11	24" Left Side Insert Type	1-5/8	65	10
SP-SH2410R	27-15/16 x 11	24" Right Side Insert Type	1-5/8	65	10
SP-2018	20-1/2 x 18	Splash Guard For All Fry Master	1 (clip type)	5	1