

PRODUCT NAME: STAINLESS STEEL
ULTRA SPRAY VALVE

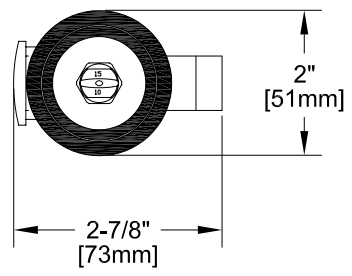
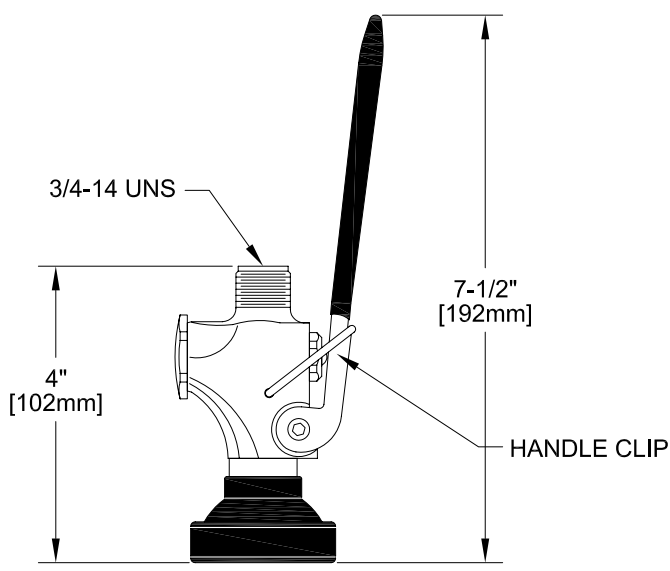
MODEL:
 71307 W/ 1.15 GPM NOZZLE

FEATURES
ULTRA SPRAY VALVE
* LOWEST ENERGY USER - 1.15 GPM @ 60 PSI
* CLEANS FASTER - TEST PROVEN
* ENGINEERED TO LAST - NO 'O' RINGS TO LEAK
* INTERCHANGEABLE - FITS ALL BRANDS

SYSTEM LIMITS
* TEMP: 40°F MIN. TO 140°F MAX.
* PRESSURE: 200 PSI MAX. STATIC
* 1.15 GPM AT 60 PSI

SHIPPING WEIGHT
* 1.5 LBS

* NSF 61-9 APPROVED & LISTED
www.truesdail.com



FISHER
 FISHER MANUFACTURING COMPANY
 TOLL FREE: 800-421-6162 - FAX: 800-832-8238
information@fisher-mfg.com - www.fisher-mfg.com