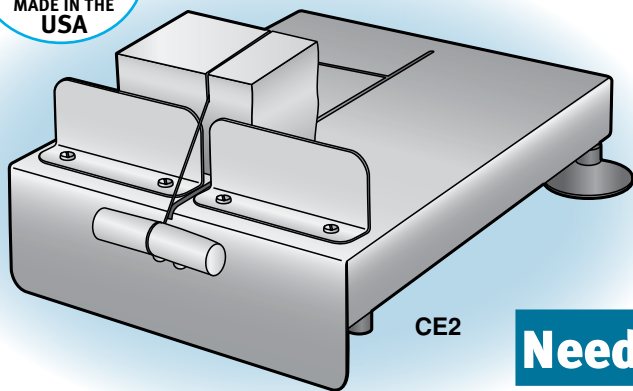




CHEESE CUTTERS

Cheese Easy



CE2

Need PARTS?

Need PARTS for your Cheese-Easy Cheese Cutter? See the next page for Replacement Parts!

WARRANTY:
6 Months

- **Rugged** – Heavy duty Stainless Steel for professional use.
- **Safe** – No sharp blade to worry about. Uses a thin Stainless Steel wire to cut.
- **Sanitary** – Easy-to-clean Stainless Steel finish allows hot water immersion or steam cleaning.
- **Sturdy** – Comes with Steel Mounting Bracket.

ALFA #	MODEL	DIMENSIONS	WEIGHT
CE1	Blockbuster	20" L x 12" W	9 lbs.
CE2	Standard	14" L x 10" W	7 lbs.

REPLACEMENT WIRES

ALFA #	REPLACEMENT FOR	DIMENSIONS
CE1W	CE1	33" Long
CE2W	CE2	24" Long

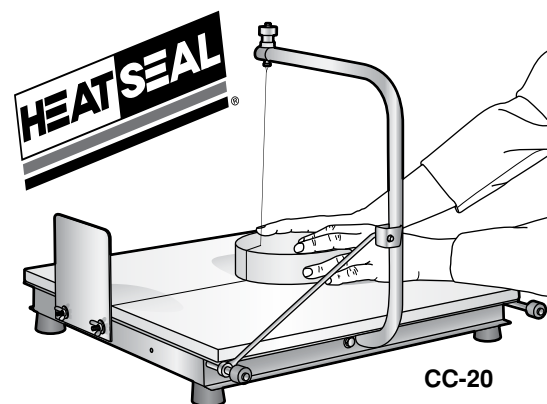
MANUAL EQUIPMENT

CC-20

- Two-way cutting means cutting arm can be locked in position for push-through slicing or rotated to cut down into cheese.
- Cutting wire can easily be replaced without tools
- Rubber feet hold cutter firmly in place on table or counter.

CC-12

- Compact size fits just about anywhere.
- Just the right size for cutting small blocks and brick cheeses



CC-20

Easy way to cut all types of cheese. Use cutter to slice through cheese, or push cheese through cutting wire. Use it to cut any shape of cheese wheels or blocks. Makes slices or wedges easily. Stainless Steel and polyethylene construction makes cleaning simple.



WARRANTY:
6 Months

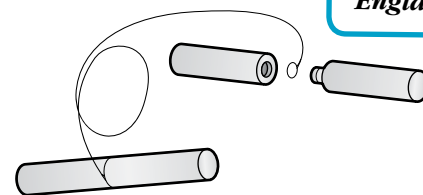
ALFA #	DIMENSIONS	WEIGHT
CC-20	20" x 20"	16 lbs.
CC-12	12" x 8.75"	8 lbs.

REPLACEMENT WIRES

ALFA #	REPLACEMENT FOR	LENGTH
CC-20R	CC-20	14-3/4"
CC-12R	CC-12	8-3/4"

HANDEE® CHEESE CUTTER

ALFA #	DESCRIPTION	WIRE SIZE	WEIGHT
HC4	Handee® Cheese Cutter with two grey plastic handles and two 36" (90 cm) stainless steel wires	36"	3.0 oz.
HC3	(Pkg. of 12) 24" (60 cm) stainless steel replacement wires for HC4	24"	1.1 oz.
HC5	(Pkg. of 12) 36" (90 cm) cheese cutter steel wires for cutting whole cheeses	36"	1.3 oz.



HC4

Made In England

WARRANTY:
6 Months

Use the 90 cm (36") wires for large cheese wheels and 60 cm (24") for smaller sizes. Both wires fit the plastic handles.