



DUKERS
Quality Commercial Refrigeration

Item # _____

Qty # _____

Model # _____

Project # _____



**Stock Pot
DCSPA2**



Catch Tray



Ventilation



Legs



PRODUCT DESCRIPTION

- Stainless steel sides and front valve cover.
- Stainless steel tubing for pilots and pilot tips per burner ring.
- Heavy duty cast iron three-ring burner, rated at a total of 160,000 BTU/h.
- Each burner is equipped with two continuous pilots.
- Heavy duty cast iron and top grates.
- Two manual controls to operate the inner and outer rings independently.
- 3/4" NPT rear gas connection and regulator standard.
- Stainless steel legs standard.
- Full length seamless drip pan for easy cleanup.



**HIGH QUALITY
STAINLESS STEEL &
ROBUST DESIGN**

| STOCK POT MODEL | DIMENSION | | |
|-----------------|-----------|-----------|-----------|
| | Width | Depth | Height |
| DCSPA2 | 18 in | 42 1/4 in | 22 3/4 in |



Los Angeles | San Francisco | Dallas
Houston | Florida | Chicago | New Jersey

1-800-931-8628

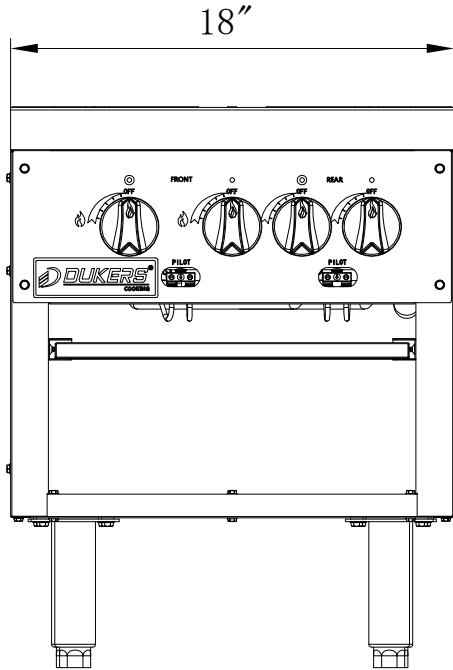
info@dukersusa.com

www.DukersUSA.com

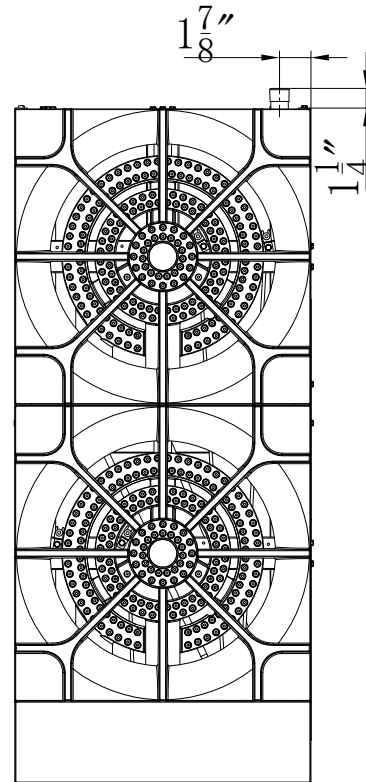
DETAILS & SPECIFICATIONS

STOCK POT DCSPA2

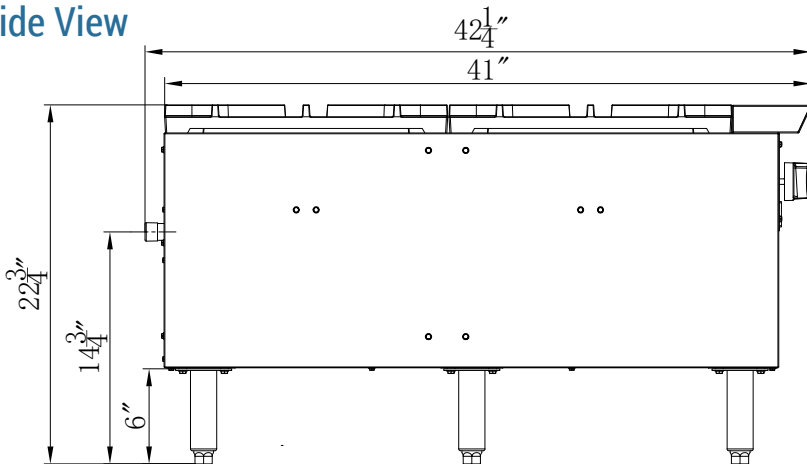
Front View



Top View



Side View



DCSPA2

| | |
|---------------|------------------------------|
| GAS SOURCE | NG/Propane |
| COOKING AREA | 18X41 in |
| BURNER | 4 count |
| SINGLE BURNER | 40000 BTU/H |
| COMBINED | 160000 BTU/H |
| GAS PRESSURE | NG: 5 "WC Propane: 10 "WC |
| NOZZEL | NG: 32# Propane: 48# |

| Model | Packaging Dimensions (inches) | | | Net Weight (lbs) | Ship Weight (lbs) | Container Capacity 40'HQ |
|--------|-------------------------------|---------|-----|------------------|-------------------|--------------------------|
| | W | D | H | | | |
| DCSPA2 | 21 1/8" | 55 1/2" | 24" | 224 | 310 | 132 |



Los Angeles | San Francisco | Dallas
Houston | Florida | Chicago | New Jersey

1-800-931-8628

@ info@dukersusa.com

www.DukersUSA.com