



DUKERS
Quality Commercial Refrigeration

Item # _____

Qty # _____

Model # _____

Project # _____



Stock Pot
DCSPA1



Knobs



Cast Iron Cooking Surface



Catch Tray



Ventilation



Legs



PRODUCT DESCRIPTION

- Stainless steel sides and front valve cover.
- Stainless steel tubing for pilots and pilot tips per burner ring.
- Heavy duty cast iron three-ring burner, rated at a total of 80,000 BTU/h.
- Each burner is equipped with two continuous pilots.
- Heavy duty cast iron and top grates.
- Two manual controls to operate the inner and outer rings independently.
- 3/4" NPT rear gas connection and regulator standard.
- Stainless steel legs standard.
- Full length seamless drip pan for easy cleanup.



HIGH QUALITY STAINLESS STEEL & ROBUST DESIGN

| STOCK POT MODEL | DIMENSION | | |
|-----------------|-----------|-----------|-----------|
| | Width | Depth | Height |
| DCSPA1 | 18 in | 24 1/4 in | 22 3/4 in |



Los Angeles | San Francisco | Dallas
Houston | Florida | Chicago | New Jersey

1-800-931-8628

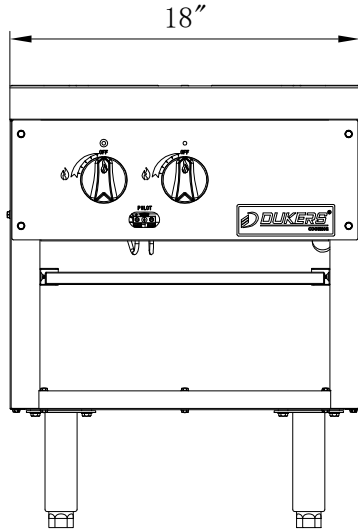
@ info@dukersusa.com

www.DukersUSA.com

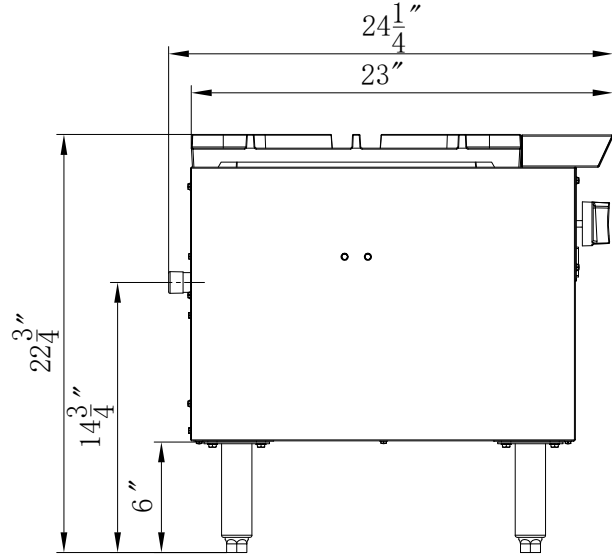
DETAILS & SPECIFICATIONS

STOCK POT DCSPA1

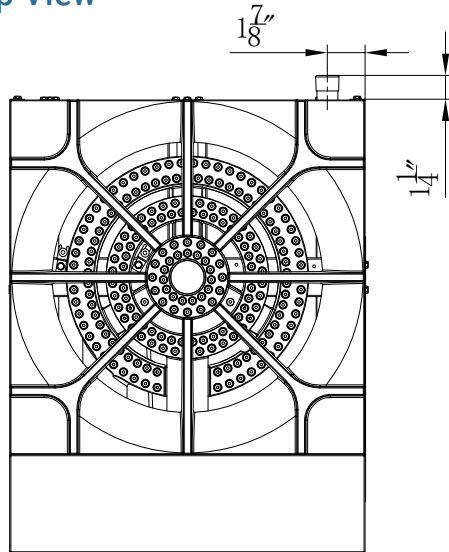
Front View



Side View



Top View



DCSPA1

| | |
|---------------|------------------------------|
| GAS SOURCE | NG/Propane |
| COOKING AREA | 18x18in |
| BURNER SINGLE | 2 count |
| BURNER | 40000 BTU/H |
| COMBINED GAS | 80000 BTU/H |
| PRESSURE | NG: 5 "WC Propane: 10 "WC |
| NOZZEL | NG: 32# Propane: 48# |



| Model | Packaging Dimensions (inches) | | | Net Weight (lbs) | Ship Weight (lbs) | Container Capacity 40'HQ |
|--------|-------------------------------|---------|-----|------------------|-------------------|--------------------------|
| | W | D | H | | | |
| DCSPA1 | 21 1/8" | 30 7/8" | 24" | 115 | 157 | 240 |



Los Angeles | San Francisco | Dallas
Houston | Florida | Chicago | New Jersey

1-800-931-8628

@ info@dukersusa.com

www.DukersUSA.com