

Item # _____
 Qty # _____
 Model # _____
 Project # _____



DUKERS
 Quality Commercial Refrigeration



HOT PLATE SIX BURNER DCHPB36



Catch Tray



Surface



Legs



PRODUCT DESCRIPTION

- ✦ Stainless steel exterior and interior.
- ✦ 32,000 BTU stainless steel burners with standby pilot.
- ✦ Lift-off cast iron burner.
- ✦ Independent manual controls every 12".
- ✦ "Cool-to-the-touch" front s/s edge.
- ✦ Each hot plate is shipped with Standard Natural Gas, LP conversion kit.
- ✦ Adjustable, stainless steel legs standard.
- ✦ Full length seamless drip pan, easy to remove and clean.



HIGH QUALITY STAINLESS STEEL & ROBUST DESIGN

HOT PLATE MODEL	DIMENSION		
	Width	Depth	Height
DCHPB36	36 in	28 3/4 in	13 3/8 in



Los Angeles | San Francisco | Dallas
 Houston | Florida | Chicago | New Jersey

1-800-931-8628

@ info@dukersusa.com

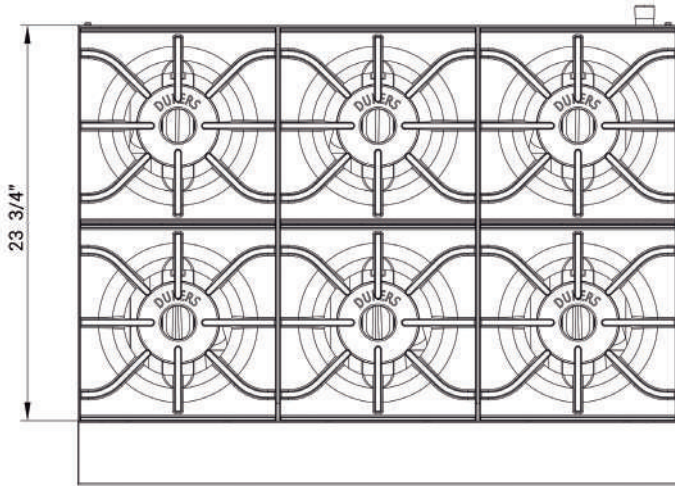
www.DukersUSA.com

DETAILS & SPECIFICATIONS

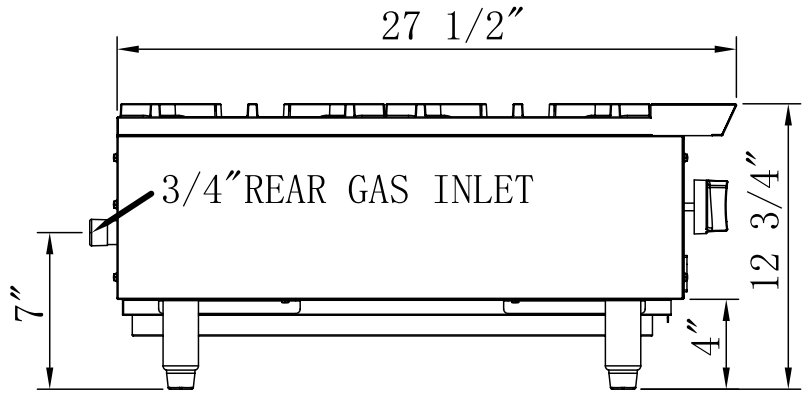
HOT PLATE DCHPB36

Top View

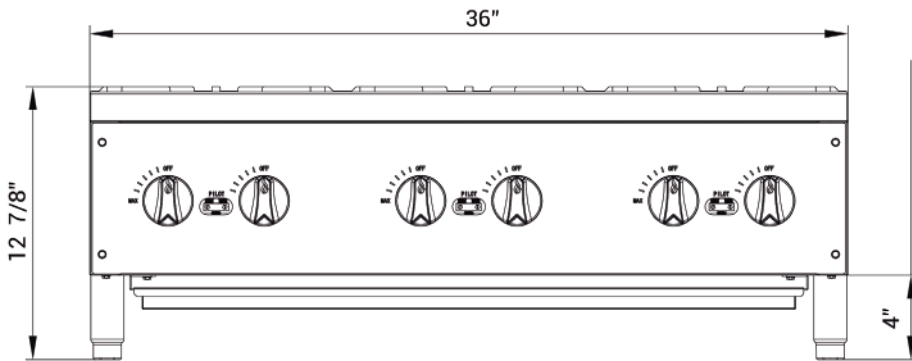
3/4" NPT Gas Inlet



Side View



Front View



DCHPB36

GAS SOURCE	NG/Propane
WORK AREA	35.79x23.62in
BURNER	6 count
SINGLE BURNER	32,000 BTU/H
COMBINED	192,000 BTU/H
GAS PRESSURE	NG: 4 "WC Propane: 10 "WC
NOZZEL	NG: 40# Propane: 52#
CONTAINER FITMENT	150

Model	Packaging Dimensions (inches)			Net Weight (lbs)	Ship Weight (lbs)
	W	D	H		
DCHPB36	38 1/4"	32 5/8"	17 3/4"	154.32	209.44



Los Angeles | San Francisco | Dallas
Houston | Florida | Chicago | New Jersey

1-800-931-8628

@ info@dukersusa.com

www.DukersUSA.com