



USER MANUAL
MANUAL DEL USUARIO
MANUEL DE L'UTILISATEUR

ICE CUBE MAKERS / UNDERCOUNTER MODELS
MÁQUINAS DE HIELO EN CUBITOS / MODELOS COMPACTOS
MACHINES A GLAÇONS / MODELES COMPACTES

ICE CUBE MAKERS / MODULAR MODELS
MÁQUINAS DE HIELO EN CUBITOS / MODELOS MODULARES
MACHINES A GLAÇONS / MODELES MODULAIRES

USER MANUAL
MANUAL DEL USUARIO
MANUEL DE L'UTILISATEUR

INDEX

INTRODUCTION	3
WARNING	3
RECEPTION OF THE MACHINE	4
INSTALLATION	5
START-UP	8
MAINTENANCE AND CLEANING PROCEDURES	9
USER TROUBLESHOOTING GUIDE	14

ÍNDICE

INTRODUCCIÓN	15
ADVERTENCIAS	15
RECEPCIÓN DE LA MÁQUINA	16
INSTALACIÓN	17
PUESTA EN MARCHA	21
PROCESO DE LIMPIEZA Y MANTENIMIENTO	22
GUÍA DE SOLUCIÓN DE PROBLEMAS	28

INDEX

INTRODUCTION	30
ATTENTION	30
RECEPTION DE L'APPAREIL	31
INSTALLATION	32
MISE EN MARCHÉ	35
INSTRUCTIONS POUR L'ENTRETIEN ET LE NETTOYAGE	36
GUIDE DE RÉOLUTION DE PROBLÈMES	42

Introduction

Thank you for purchasing a Ice Cube Maker. You have purchased one of the most reliable ice-making products on the market today.

Carefully read the instructions contained in this manual since they provide important information relative to safety during installation, use, and maintenance.

Warning

This appliance is intended to be used in household and similar applications such as staff kitchen areas in shops, offices and other working environments; farmhouses and by clients in hotels, motels and other residential type environments; bed and breakfast type environments; catering and similar non-retail applications.

The installation of this equipment should be done by the Service Department.

The socket should always be placed on an accessible location.

When positioning the appliance, ensure the supply cord is not trapped or damaged.

Do not locate multiple portable socket-outlets or portable power supplies at the rear of the appliance.

Always disconnect the power supply from the machine before any cleaning or maintenance service.

Any change needed on the electrical installation for the appropriate connection of the machine, should be exclusively performed by qualified and certified professional personnel only.

Any use by the ice maker not intended to produce ice, using potable water, is considered inappropriate.

It is extremely dangerous to modify or intend to modify this machine and will void warranty.

The appliance is not to be used by persons (including children) with reduced physical, sensory or mental capabilities, or lack of experience and knowledge, unless they have been given supervision or instruction.

Children being supervised not to play with the appliance.

Connect to potable water supply only. To see "Installation" chapter (5).

This machine is not intended to be used outdoors nor exposed to the rain.

The machine should be connected using the power cord supplied with the equipment.

It is mandatory to ground the equipment to avoid possible electric shock on individuals or damages to the equipment. The machine should be grounded pursuant local and/or national regulations. The manufacturer shall be held harmless in case of damages arising due to the lack of the ground installation. To see "Installation" chapter (7).

In order to assure the proper operation and efficiency of this equipment, it is extremely important to follow the recommendations of the manufacturer, especially those related to cleaning and maintenance operations, which should be performed by qualified personnel only.

CAUTION: The intervention of non-qualified personnel, besides of being dangerous, could result in serious malfunctioning. In case of damages, contact your distributor. We recommend always using original spare parts.

The company reserves the right to make changes in specifications and design without prior notice.



This signal indicates "Risk of fire / Flammable materials" because of the use of flammable refrigerant.

For compression-type **appliances that use flammable refrigerants** should additionally consider the substance of the warnings listed below:

- Keep ventilation openings, in the appliance enclosure or in the built-in structure, clear of obstruction.
- Do not use mechanical devices or other means to accelerate the defrosting process, other than those recommended by the manufacturer.
- Do not damage the refrigerant circuit.
- Do not use electrical appliances inside the food storage compartments of the appliance, unless they are of the type recommended by the manufacturer.
- Do not store explosive substances such as aerosol cans with a flammable propellant in this appliance.

In case of a flammable refrigerant leakage:

- Do not generate flames close to the appliance.
- Do not switch on/off or plug in/off the appliance.
- To ventilate immediately the area where appliance is located by opening doors and/or windows.
- To call to an authorized technical service.

Disposal of the ice maker: the company encourages to follow the regulations of each country regarding eco-friendly disposal of electric and electronic devices such this one. User who is wanting to dispose of this equipment must contact the manufacturer and follow the method to appropriate differentiated collection for the subsequent treatments.

Reception of the Machine

Inspect the outside packing. In case of damages, MAKE THE CORRESPONDING CLAIM TO THE CARRIER.

To confirm the existence of damages, UNPACK THE MACHINE IN THE PRESENCE OF THE CARRIER and state any damage on the equipment on the reception document or freight document.

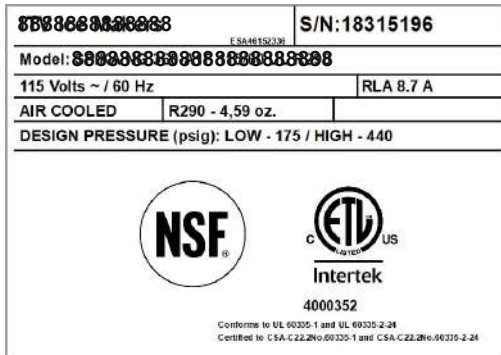
Always state the machine number and model. This number is printed on three locations:

(1) Packing: On the outside, it contains a label with the manufacturing number.



(2) Exterior of the equipment: On the back of the equipment, there appears a label with the same characteristics as the previous one.

(3) Nameplate: On the back of the machine.



Check that in interior of the machine the installation kit is complete and comprises:

- Scoop, four legs and manual.
- Warranty and serial number.

CAUTION: All packing elements (plastic bags, carton boxes and wood pallets) should be kept outside the reach of children, as they are a source of potential hazard.

Installation

1.- LOCATION OF ICE MACHINE

This ice maker is not designed for outdoor operation. The icemaker should not be located next to ovens, grills or other high heat producing equipment.

The machines are designed to operate at room temperature between 41°F (5°C) and 109.4°F (43°C). There may be some difficulties in ice slab removal under the minimum temperatures. Above the maximum temperature, the life of the compressor is shortened, and the production is substantially lower.

The air cooled (undercounter) ice makers take the air through the front section, and drive it off through the back and front louvers due to their new oblique condenser structure and placement. Do not place anything on the top of ice maker or facing the front grille. In case the front grille is either total or partially obstructed, or due to its placement it receives hot air from another device, we recommend, in case it is not possible to change the location, to install a water-cooled machine.

The air cooled (modular) ice makers take the air through the back section and drive it off through the two lateral louvers. In the case it is not possible to respect the minimum distances recommended (see the picture in point 3) for these machines we recommend installing a water-cooled unit.

The location must allow enough clearance for water, drain and electrical connections in the rear of the ice machine. It is important that the water inlet piping do not pass near sources of heat so as not to lose ice production.

2.- LEVELING THE ICE MACHINE

Use a level on top of ice machine in order to ensure the equipment is perfectly levelled.

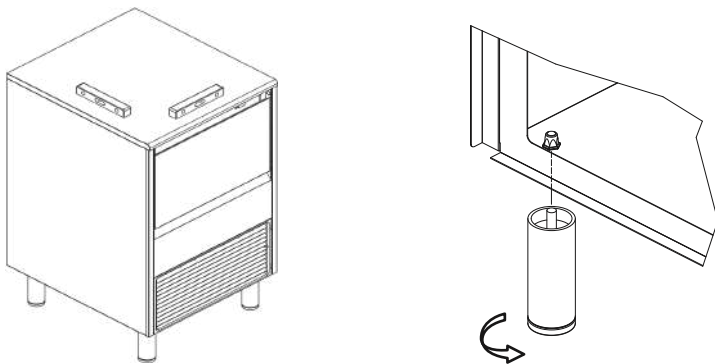
Only for (undercounter) machines:

Screw the levelling legs onto the bottom of the ice machine as far as possible.

Move the machine into its final position.

Use a level on top of the ice machine. Turn each foot as necessary to level the ice machine from front to back and side to side.

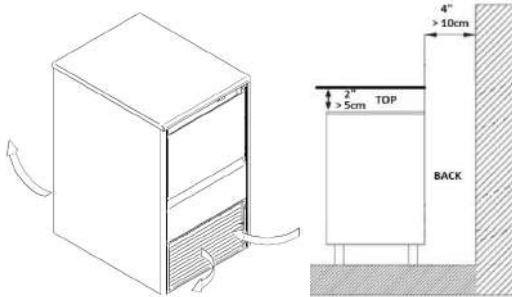
NOTE: An optional 3 1/2" (90mm) caster assembly is available for use in place of the legs. Installation instructions are supplied with the casters.



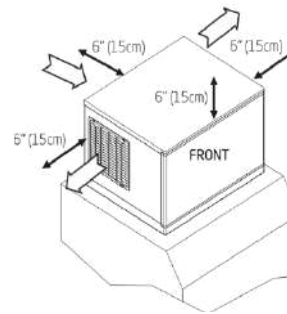
3.-MINIMUM DISTANCE TO OBSTACLES

The minimum clearance values you can see below are recommended for efficient operation and servicing.

UNDERCOUNTER MODELS



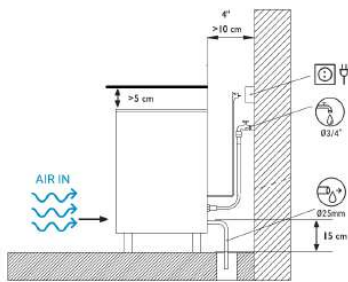
MODULAR MODELS



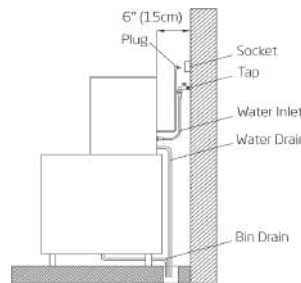
4.-CONNECTION DIAGRAMS

The location must allow enough clearance for water drain and electrical connections in the rear of the ice machine.

UNDERCOUNTER MODELS



MODULAR MODELS



5.-WATER SUPPLY

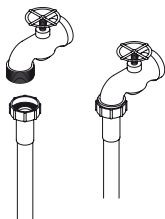
The quality of the water supplied to the ice machine will have an impact on the time between cleanings and ultimately on the life of the product (mainly in water cooled units). It also will have a remarkable influence on the appearance, hardness and flavour of the ice.

Local water conditions may require treatment of the water to inhibit scale formation, improve taste and clarity. If you are installing a water filter system, refer to the installation instructions supplied with the filter system.

Use a flexible food grade hose.

Pressure should be between 14 and 85 psi (0,1 MPa and 0,6 MPa or 1 and 6 bar). If pressure overpasses such values, install a pressure regulator.

The water connection needs to be dedicated (only piece of equipment hooked to the water line). Water line from the water valve to the ice machine needs to be 1/4" nominal ID tubing.

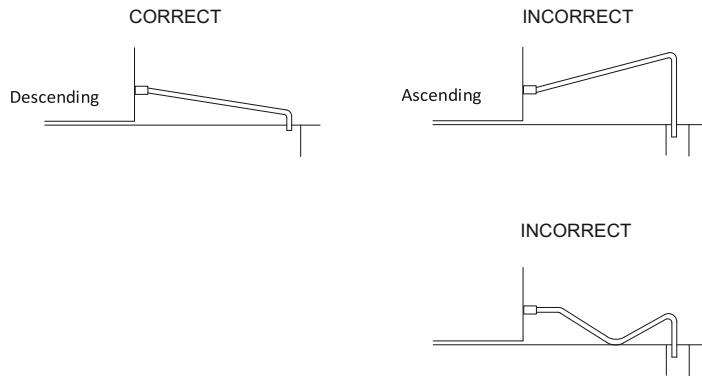


ATTENTION: This equipment is to be installed with adequate backflow protection to comply with applicable federal, state and local codes.

6.-DRAINAGE

Drainage should be located below the level of the machine, at 5,9" (150 mm) minimum.

It is convenient that the drainage pipe is 1,18" (30 mm) inside diameter and with a minimum gradient of 0,36"/ft (3 cm/ meter), see figure.



7.-ELECTRICAL CONNECTION

IT IS MANDATORY TO GROUND THE EQUIPMENT: To avoid possible discharges on individuals or damages to the equipment, the machine should be grounded following local and/or national regulations as needed. THE MANUFACTURER SHALL BE HELD HARMLESS IN CASE OF DAMAGES ARISING DUE TO THE LACK OF THE GROUND INSTALLATION.

In case the supply cable is damaged, it should be replaced by a cable of special assembly to be furnished by the manufacturer or after-sales service. Such replacement should be performed by qualified technical service only. The machine should be placed in such a way that allows a minimum space between the back and the wall to allow an easy access and without risks to the cable plug.

Mind the socket. It is convenient to install adequate switches and circuit breakers.

Voltage is indicated in the nameplate. Variation on voltage above the 10% stated on the nameplate could result on damages or prevent the machine start-up.

In case the ice maker is not fitted with a SUPPLY CORD and a plug, or with other means for disconnection from the supply mains having a contact separation in all poles that provide full disconnection under overvoltage category III conditions, then means for disconnection must be incorporated in the fixed wiring in accordance with the wiring rules.

ATTENTION: The appliance requires an independent power supply of proper capacity. See the nameplate for electrical specifications. Failure to use an independent power supply of proper capacity can result in a tripped breaker, blown fuse, damage to existing wiring, or component failure. This could lead to heat

8.-INSTALLATION OF MODULAR EQUIPMENTS ON TOP OF BINS

Modular ice makers should be installed on top of bins, following the instructions contained in this manual.

The resistance and stability of the container-machine/s assembly should be verified, as well as the fastening elements. Follow bin manufacturer instructions.

Start-Up

1.- Previous Checkup

- a) Is the machine leveled?
- b) Voltage and frequency are the same as those on the nameplate?
- c) Are the discharges connected and operating?
- d) Will the ambient temperature and water temperature remain in the following range?

	ROOM	WATER
MAXIMUM	109° F / 43° C	95° F / 35°C
MINIMUM	43° F / 10° C	35° F / 5°C

- e) Is water pressure appropriate?

MINIMUM	psig (1 Bar)
MAXIMUM	psig (6 Bar)

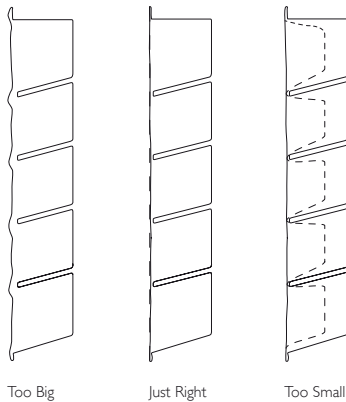
NOTE: In case input water pressure is higher than 85 psi (6 bar), install a pressure regulator.

2.- Start-Up

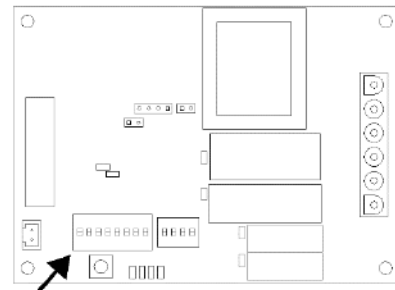
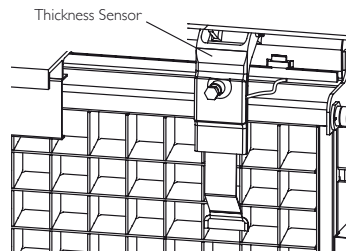
Once the installation instructions are followed (ventilation, site conditions, temperatures, water quality, etc.), proceed as follows:

1. Open the water inlet. Verify the no existence of leakages.
2. For undercounter models open the door and remove the protection elements on the shield. For modular models remove the two locking screws on top of machine, take off the front panel and remove protection elements on the shield and on the thickness sensor.
3. Verify that the shield moves freely. For modular models verify also the thickness sensor moves freely.
4. Connect the machine to the power supply.
5. For undercounter models: push the blue switch on the machine front side. For modular models: push the blue switch found on the back of the machine and then set the ice-wash switch to the position I.
6. Verify that there are no vibrations or frictions on the elements.
7. Verify that the water fall to the evaporator is occurring uniformly and all ice cubes are properly watered.
8. Close door (for undercounter models) / Replace the front panel in its place (for modular models).
9. For modular models verify the ice slab with the pictures below through the thickness sensor which needs to be regulated. In case of undercounter models, to adjust the switches according to tables shown on the label placed on top cover.

Modular Models



Undercounter Models



Damages due to the lack of maintenance and cleaning operations are not included on the warranty.

3.- Sequence of Operation

- Initial Start-up: The first time the machine is started there is a delay of 30" in the power on sequence, it begins with the harvest sequence to ensure the water tray is filled. Before the compressor starts, there is a pressure relief to ensure a soft start-up.
- Freeze sequence: The compressor is energized. The freezing time is a programmed time, can be adjusted following the previous table. The water circulates from the water tray to the upper distributor, flowing through each cube cell, where it freezes.
- Harvest sequence: The hot gas valve is opened and at the same time energizes the water inlet valve during a certain time to fill the water tray with the appropriate quantity of water. The ice slab slides off the evaporator and falls into the bin. Curtain opening finishes harvest step. After this, the freeze sequence starts again.
- When storage bin is full, the ice slab cannot fall down and curtains remains opened. The machine shuts off until enough ice has been removed from the storage bin and the curtain close again.

Maintenance and Cleaning Procedures

It is the User's responsibility to keep the ice machine and ice storage bin in a sanitary condition.

Ice machines also require occasional cleaning of their water systems with a specifically designed chemical. This chemical dissolve mineral build up that forms during the ice making process.

Sanitize the ice storage bin as frequently as local health codes require, and every time the ice machine is cleaned and sanitized.

The ice machine's water system should be cleaned and sanitized at least twice a year.

CAUTION: Do not mix Ice Machine Cleaner and Sanitizer solutions together.

WARNING: Wear rubber gloves and safety goggles when handling Ice Machine Cleaner or Sanitizer.

WARNING: Unit should always be disconnected during maintenance/cleaning procedures.

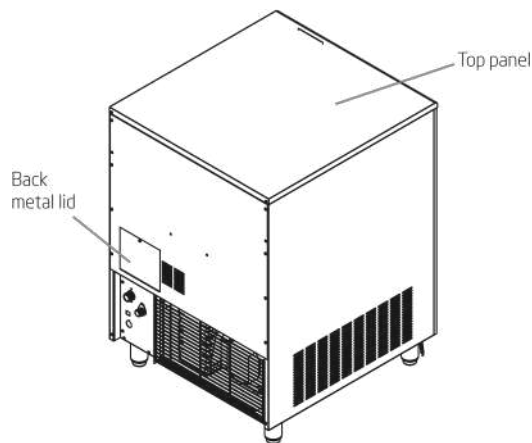
CLEANING WATER DISTRIBUTION SYSTEM

(1) Cleaning Water Distribution System for Undercounter Models

1. Set the switch to the OFF position after ice falls from the evaporator at the end of a harvest cycle or set the switch to the OFF position and allow the ice to melt off the evaporator.

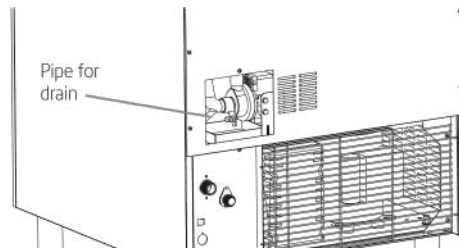
CAUTION: Never use anything to force ice from the evaporator.

2. Remove the back metal lid and the top panel (if need be to make easier the cleaning operations).

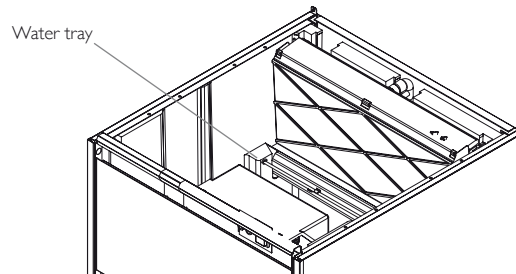


3. Remove all ice from the bin.

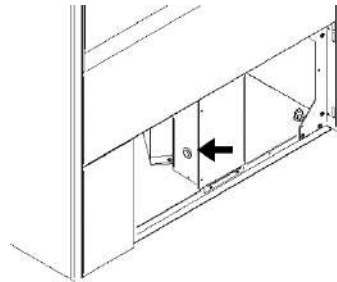
4. Remove the auxiliary pipe for drain operations near the pump and empty the water tray. Return it to their original position to avoid water spill.



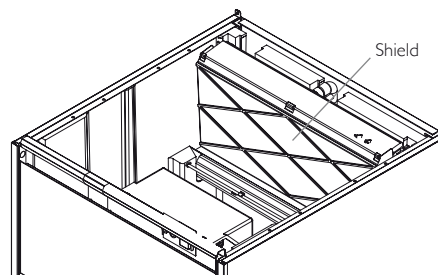
5. Prepare a solution of an appropriate product for the cleaning of ice machines (lime). Do not use hydrochloric acid. We recommend the use of any NSF approved scale removal product prepared according to the manufacturer's instructions.
6. Fill water tray with the solution.



7. Switch on the machine while keeping pressed the wash button behind the front grid in order to run water pump. Let solution stand for 30-40 minutes and then switch off the machine.



8. Disconnect power and water supplies.
9. Remove the auxiliary pipe to drain and purge out the ice machine scale remover and residue. Replace it.
10. Mix enough cleaning solution (as in point 5) to clean parts and interior food zone surfaces.
11. Remove shield.



12. Clean all surfaces of the shield with the cleaner solution using a brush (not a wire brush) or cloth. Rinse all areas with water.
13. Clean all the interior surfaces of the freezing compartment (including storage bin) with the cleaner solution using a brush or cloth. Rinse all areas with water.
14. Mix a solution of sanitizer using approved (EPA/FDA) sodium hypochlorite food equipment sanitizer to form a solution with 100 - 200 ppm free chlorine yield.
15. Sanitize all surfaces of the shield applying liberally the sanitizer solution using a cloth or sponge.
16. Sanitize all the interior surfaces of the freezing compartment (including the storage bin) applying liberally sanitizer solution, using a cloth or sponge.
17. Return shield to its position.
18. Connect power and water supplies.
19. Fill water reservoir with the sanitizer solution.
20. Switch on machine in order to run water pump. Let solution stand for 20 minutes and switch off.
21. Remove the auxiliary pipe to drain and purge out the sanitizer solution and residue. Replace it. Fill the water reservoir with water and switch on the machine to allow water to circulate for 5 minutes and then stop the machine. Repeat this operation two more times to rinse thoroughly.
22. Remove the auxiliary hose to drain the water. Replace it and fill the tray with water to ensure the pump works properly.
23. Switch on compressor switch (position I).
24. Return the back metal lid and the top panel to their position.
25. Switch on machine and discard the first two harvests.

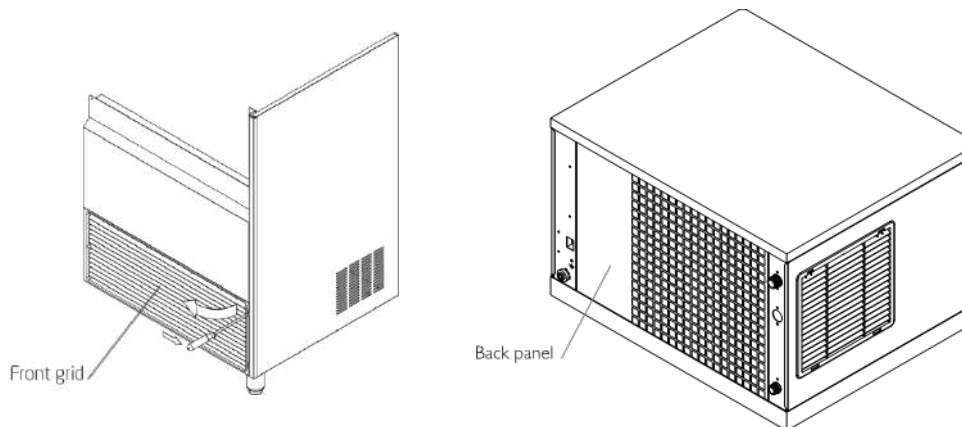
CLEANING THE ICE BIN (FOR UNDERCOUNTER MODELS)

1. Disconnect the machine, close water faucet and empty storage bin of ice.
2. Use the cleaner/water solution to clean all surfaces of the bin. Use a nylon brush or cloth. Then rinse all areas thoroughly with clean water.
3. Use the sanitizer/water solution to sanitize all surfaces of the bin. Use a nylon brush or cloth.
4. Rinse with plenty of water, dry, run the machine and open water faucet.

CLEANING THE CONDENSER (FOR UNDERCOUNTER & MODULAR MODELS)

(1) Air Condenser

1. Disconnect machine and close water faucet.
2. For undercounter models remove the front grid by pressing the two clips placed at right side. For modular models remove the back panel (see figures below).



3. Clean condenser using a vacuum cleaner, soft brush or low pressure air. Clean from top to bottom, not side to side. Be careful not to bend the condenser fins.

(2) Water Condenser

The water condenser may require cleaning due to scale build-up. The cleaning procedures require special pumps and cleaning solutions. They must be performed by qualified maintenance or service personnel.

CLEANING THE OUTSIDE OF THE MACHINE

Clean the area around the ice machine as often as necessary to maintain cleanliness. Sponge any dust and dirt off the outside of the ice machine with mild soap and water. Wipe dry with a clean soft cloth. A commercial grade stainless steel cleaner/polish can be used as necessary.

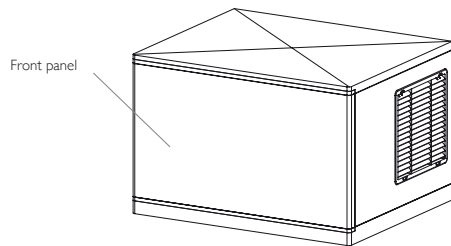
CHECKING FOR WATER LEAKS

This must be done whenever maintenance is carried out on the machine: check all water connexions, braces, tubes and hoses in order to eliminate leaks and prevent breakages and flooding.

(2) Cleaning Water Distribution System for Modular Models

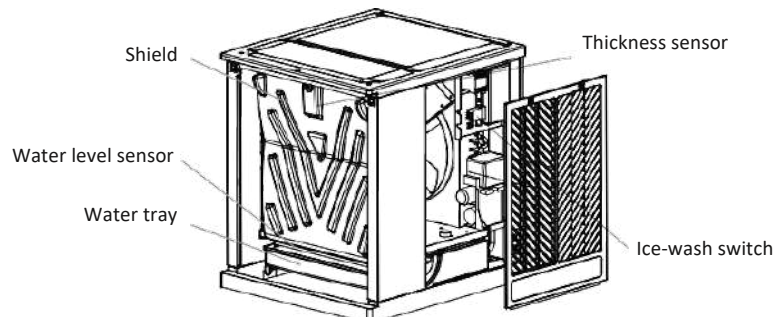
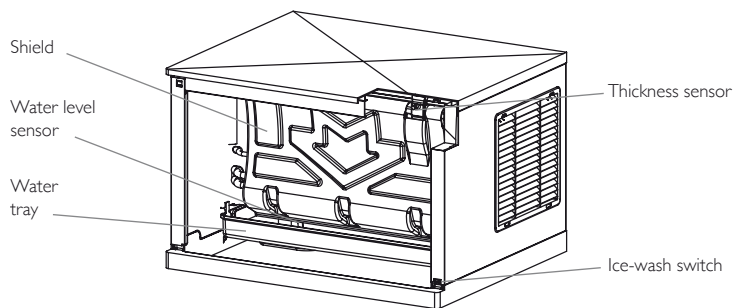
1. Set the switch to the OFF position after ice falls from the evaporator at the end of a harvest cycle or set the switch to the OFF position and allow the ice to melt off the evaporator. Set ice-wash switch to the OFF position (position 0) after ice falls from the evaporator at the end of a harvest cycle, or set the ice-wash switch to the OFF position and allow the ice to melt off the evaporator. CAUTION: Never use anything to force ice from the evaporator. Damage may result.

2. Remove the front panel.

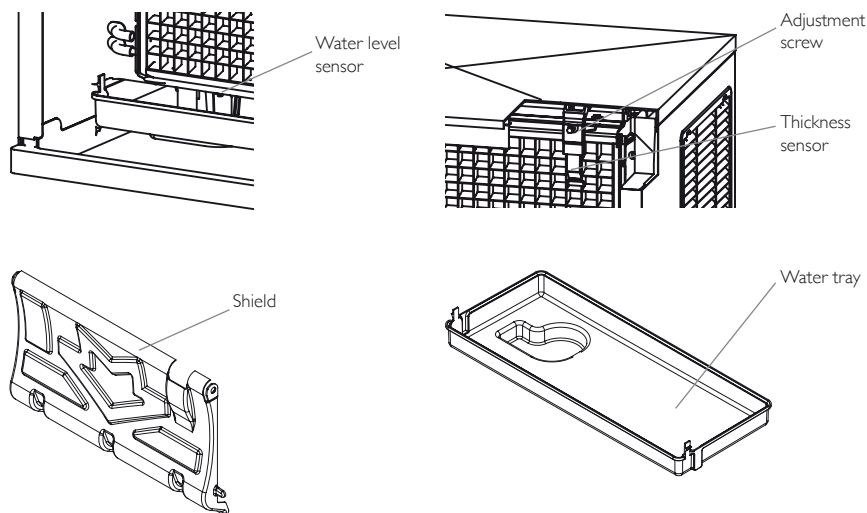


3. Prepare a solution of an appropriate product for the cleaning of ice machines (lime). Do not use hydrochloric acid. We recommend the use of any NSF approved scale removal product. In modular machines the water bucket is filled automatically so we recommend to prepare a previous solution (for example 0.15L) according to the manufacturer's instructions with the total quantity of product needed for the water tray.

4. To start a cleaning cycle, move the ice-wash switch to the WASH position (position II). The machine will drain the reservoir and refill it. Pour the scale remover solution into the reservoir.



5. Allow the solution to circulate in the water system for 30-40 minutes and then set the ice-wash switch to the OFF position.
6. To purge out the ice machine scale remover and residue move the ice-wash switch to the WASH (the machine will drain the reservoir and refill it) and then set the ice-wash switch to the OFF position.
7. Disconnect power and water supplies.
8. Mix a cleaning solution.
9. Remove shield and water tray.
10. Clean the metal surfaces of the thickness sensor, water level sensor, the adjustment screw, the shield and the water tray with the cleaner solution using a brush (not a wire brush) or cloth.



11. Clean the interior surfaces of the freezing compartment (including walls, plastic parts of the evaporator, distributor...) and the front panel with the cleaner solution using a brush or cloth.
12. Mix a solution of sanitizer using approved (EPA/FDA) sodium hypochlorite food equipment sanitizer to form a solution with 100 to 200 ppm free chlorine yield.
13. Sanitize all surfaces of the ice thickness sensor, water level sensor, shield and water tray applying liberally the sanitizer solution using a cloth or sponge.
14. Sanitize the interior surfaces of the freezing compartment (including walls, plastic parts of the evaporator, distributor...) and the front panel applying liberally the sanitizer solution using a cloth or sponge.
15. Return the water tray and shield to their normal positions.
16. Connect power and water supplies.
17. To start a sanitation cleaning cycle, move the ice-wash switch to the WASH position. The machine will drain the reservoir and refill it. Pour the sanitizer into the water reservoir to get a solution as in the point 12.
18. Allow the solution to circulate in the water system for 20 minutes and then set the ice-wash switch to the OFF position.
19. To purge out the sanitizer solution and residue move the ice-wash switch to the WASH position (drain and refill) and allow the water to circulate for 5 minutes and then move the switch to the OFF position (drain). Repeat this operation two more times to rinse thoroughly.
20. Return the panel to their position.
21. Set the ice-wash switch to the ON position (position I) and discard the first two harvests.

User Troubleshooting Guide

UNDERCOUNTER MODELS:

PROBLEM	PROBABLE CAUSE	SOLUTION
None of the electrical parts work.	The machine is unplugged.	Plug in the machine and verify shocket power.
	Curtain not properly closed.	Check no ice and it moves freely.
No water in tray.	Not incoming water.	Check water supply.
	Inlet strain at water valve blocked.	Check an clean.
Ice slab empty or too thick.	Disadjusted cycle time.	Adjust PCB switches.
Difficult to release ice slab at harvest.	Unit bad leveled (tilted to back).	Level; down front.
Not uniform flow pattern at evaporator.	Dirty or scaled distributor.	Perform descaling procedure. Remove and clean distributor (pull from two clips at distributor sides).
Unit run and stops alternatively itself.	Safety presostat opens.	Clean air condenser (behind front grid).
For further problems call aftersales service.		

MODULAR MODELS:

PROBLEM	PROBABLE CAUSE	SOLUTION
None of the electrical parts work.	The machine is unplugged.	Plug in the machine and verify shocket power.
	Rear switch OFF.	Switch ON.
	Front switch position "0".	Move to "ICE" (behind front panel).
No water in tray.	Not incoming water.	Check water supply.
	Inlet strain at water valve blocked.	Check an clean.
All the electrical parts work but not compressor. (water doesn't get frozen).	Front switch position "WASH".	Move to "ICE" (behind front panel).
Not enough water to end cycle.	Water level probe too low.	Move up (Steel rod beside pump).
	Defective drain valve (check drain leak during ice stage).	Disamble and clean.
	Shield splash leaks.	Check shield position.
Water overflows tray.	Level probe to high or scaled.	Adjust/clean.
Ice slab empty or too thick.	Desadjusted/scaled thickness probe.	Adjust/clean.
Difficult to release ice slab at harvest.	Unit bad leveled (tilted to back).	Level; down front.
Not uniform flow pattern at evaporator.	Dirty or scaled distributor.	Perform descaling procedure. Remove and clean distributor (pull from two clips at distributor sides).
Low production.	Dirty condenser.	Clean (check algo incoming water/air tempetature).
Unit stops after few time running.	Safety presostat opens.	Clean air condenser (back).
For further problems call aftersales service.		

Introducción

Gracias por comprar una máquina de hielo en cubitos. Usted ha comprado uno de las máquinas de hielo más fiables del mercado actual.

Lea cuidadosamente las instrucciones contenidas en este manual, estas contienen importante información relativa a la seguridad durante la instalación, uso y mantenimiento.

Advertencias

Este aparato está destinado a ser utilizado en el hogar y en aplicaciones similares, como las zonas de cocina del personal en tiendas, oficinas y otros entornos de trabajo; en granjas y por clientes en hoteles, moteles y otros entornos de tipo residencial; en el sector de la restauración y en aplicaciones similares no relacionadas con la venta al por menor.

La instalación de este aparato debe ser realizada por el Servicio de Asistencia Técnica. La clavija de toma de corriente debe quedar en un sitio accesible.

Este aparato está destinado a ser utilizado en el hogar y en aplicaciones similares, como las zonas de cocina del personal en tiendas, oficinas y otros entornos de trabajo; en granjas y por clientes en hoteles, moteles y otros entornos de tipo residencial; en el sector de la restauración y en aplicaciones similares no relacionadas con la venta al por menor.

Desconectar siempre la máquina de la red eléctrica antes de proceder a cualquier operación de limpieza o mantenimiento. Cualquier modificación que fuese necesaria en la instalación eléctrica para la perfecta conexión de la máquina, deberá ser efectuada exclusivamente por personal profesionalmente cualificado y habilitado.

Cualquier utilización del productor de cubitos que no sea el de producir hielo, utilizando agua potable, es considerado inadecuado.

Modificar o tratar de modificar este aparato, además de anular cualquier forma de garantía, es extremadamente peligroso.

El aparato no debe ser utilizado por personas (incluidos los niños) con capacidades físicas, sensoriales o mentales reducidas, o con falta de experiencia y conocimientos, a menos que se les haya dado supervisión o instrucción.

Los niños deben ser supervisados para que no jueguen con la máquina.

Conectarlo sólo al suministro de agua potable. Ver el capítulo "Instalación" (5).

No debe ser utilizado al aire libre ni expuesto a la lluvia.

La máquina se debe conectar mediante el cable de alimentación suministrado con la misma.

Este aparato debe conectarse obligatoriamente a tierra para evitar posibles descargas sobre personas o daños al equipo. Se debe conectar el fabricante a tierra según las normativas y legislación locales y/o nacionales en cada caso. El fabricante no será considerado responsable ante daños causados por la falta de puesta a tierra de la instalación. Ver la sección de "Instalación" (5).

Para garantizar la eficiencia de esta máquina y su correcto funcionamiento, es imprescindible ceñirse a las indicaciones del fabricante, sobre todo en lo que concierne a las operaciones de mantenimiento y limpieza, las cuales deberán ser efectuadas únicamente por personal cualificado.

ATENCIÓN: La intervención de personas no cualificadas, además de ser peligrosa, puede causar graves desperfectos. En caso de avería, contactar con su distribuidor. Le recomendamos usar siempre repuestos originales.

La empresa se reserva el derecho a realizar cambios en las especificaciones y diseño sin aviso previo.



Esta señal indica "Riesgo de incendio/Materiales inflamables", debido al uso de refrigerante inflamable para el funcionamiento del aparato.

Asimismo, para los aparatos con etapa de compresión con refrigerantes inflamables deben tenerse en cuenta las siguientes advertencias:

- Mantenga las aberturas de ventilación libres de obstrucciones, tanto en la carcasa del aparato como en la estructura en la que se integra.
- No utilice dispositivos mecánicos u otros medios para acelerar el proceso de descongelación, exceptuando los recomendados por el fabricante.
- No dañe el circuito refrigerante.
- No utilice aparatos eléctricos dentro del compartimento donde se almacenan los alimentos, exceptuando los del tipo recomendado por el fabricante.
- No almacene sustancias explosivas, como latas de aerosol con propelente inflamable en este aparato.

En caso de que se produzca una fuga de refrigerante inflamable:

- Evite las llamas cerca del aparato.
- No encienda/apague ni conecte/desconecte el aparato.
- Ventile inmediatamente la zona donde se encuentra el aparato abriendo puertas y ventanas.
- Llame a un servicio técnico autorizado.

Instalación

(1) LOCALIZACIÓN DE LA MÁQUINA

Esta máquina de hielo no está diseñada para funcionar en el exterior. Esta no debería estar situada cerca de hornos, parrillas u otro equipamiento que genere mucho calor.

Las máquinas están previstas para funcionar con una temperatura ambiente entre 41°F (5°C) y 109.4°F (43°C). Por debajo de las temperaturas mínimas puede haber dificultades en el despegue de los cubitos. Por encima de las temperaturas máximas la vida del compresor se acorta y la producción disminuye considerablemente.

Los modelos (compactos) condensados por aire, toman éste por la parte delantera y lo expulsan por las rejillas laterales, trasera y también delantera gracias a su nueva estructura y colocación del condensador de forma oblicua. No colocar nada sobre el fabricante ni frente a la rejilla delantera. Si la toma de aire delantera es insuficiente, la salida queda obstruida total o parcialmente, o si por su colocación va a recibir aire caliente de otro aparato, aconsejamos encarecidamente, en caso de no poder cambiar el emplazamiento de la máquina, instalar una condensada por agua.

Los modelos (modulares) condensados por aire toman el aire a través de la parte trasera de la máquina y dirigen este a través de las rejillas laterales. En el caso de que no sea posible respetar las distancias mínimas recomendadas (ver la figura del punto 3) para estos modelos recomendamos instalar una refrigerada por agua.

La localización debe dejar espacio suficiente para las conexiones de agua, desagüe y eléctricas en la parte trasera de la máquina de hielo. Es importante que la tubería de acometida de agua no pase cerca de fuentes de calor para no perder producción.

(2) NIVELAR LA MÁQUINA DE HIELO

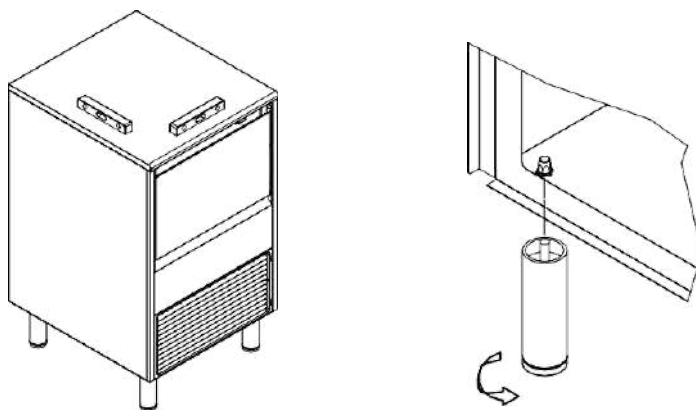
Utilizar un nivel sobre la máquina para asegurar que el equipo está perfectamente nivelado.

Solo para modelos (compactos):

Roscar las patas niveladoras en la parte inferior de la máquina todo lo posible. Mover la máquina a su posición final.

Usar un nivel encima de la máquina. Girar cada pie lo necesario para nivelar la máquina de adelante a atrás y de izquierda a derecha.

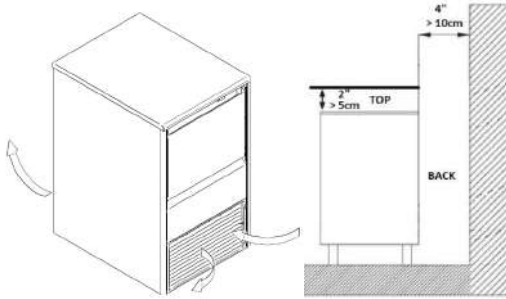
NOTA: Existe como opción un kit de ruedas de 3 1/2" (90mm) de alto para utilizar en lugar de las patas. Las instrucciones de instalación se suministran junto con las ruedas.



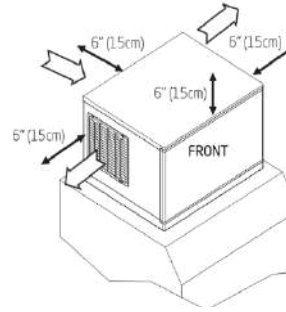
(3) DISTANCIA MÍNIMA A OBSTÁCULOS

Abajo se pueden ver las distancias mínimas recomendadas para una operación y servicio eficiente.

MODELOS COMPACTOS



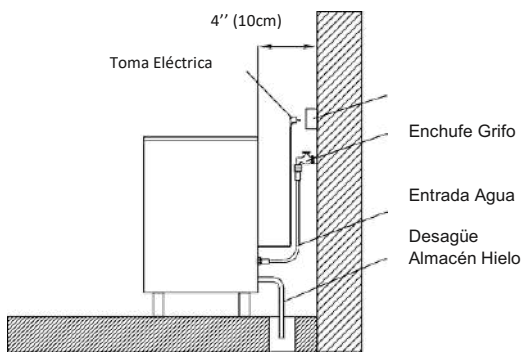
MODELOS MODULARES



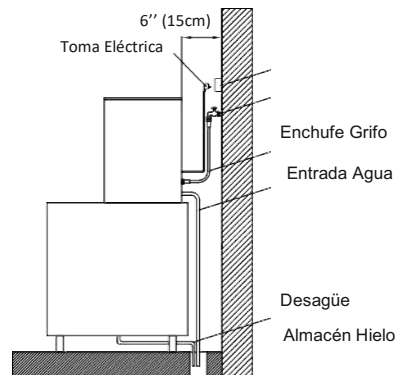
(4) DIAGRAMA DE CONEXIÓN

La localización debe dejar espacio suficiente para las conexiones de agua, desagüe y eléctrica en la parte trasera de la máquina.

MODELOS COMPACTOS



MODELOS MODULARES



(5) CONEXIÓN A RED DE AGUA

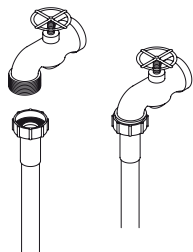
La calidad del agua influye en los periodos entre limpiezas y en la vida del producto (principalmente en las unidades condensadas por agua). También tiene una notable influencia en la apariencia, dureza y sabor del hielo.

Las condiciones del agua del local pueden necesitar un tratamiento del agua para reducir la formación de cal, mejorar el sabor y transparencia del hielo. Si se instala un sistema de filtrado de agua, dirigirse a las instrucciones suministradas con el sistema de filtrado.

Utilizar una manguera de entrada de uso alimentario.

La presión de entrada de agua debe estar entre 14 y 85 psi (1 and 6 bar). Si la presión excede estos valores, instalar un regulador de presión.

La conexión de agua necesita ser única (sólo una pieza enganchada a la conexión de agua). Esta conexión de agua desde la válvula hasta la máquina de hielo tiene que ser un tubo de identificación nominal 1/4".

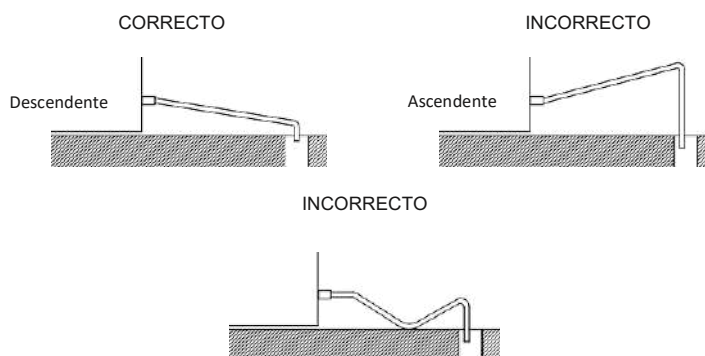


ATENCIÓN: Este equipo debe instalarse con una protección adecuada contra el refluo para cumplir con los códigos federales, estatales y locales aplicables.

(6) CONEXIÓN AL DESAGÜE

El desagüe debe encontrarse más bajo que la máquina, como mínimo 5.9" (150 mm).

El tubo de desagüe conviene que tenga un diámetro interior de 1.18" (30 mm) y con una pendiente mínima de 0.36"/pie (3 cm/metro), véase la figura.



(7) CONEXIÓN ELÉCTRICA

ESTE APARATO DEBE CONECTARSE OBLIGATORIAMENTE A TIERRA para evitar posibles descargas sobre personas o daños al equipo. Se debe conectar a tierra según las normativas y legislación locales y/o nacionales en cada caso.

EL FABRICANTE NO SERÁ CONSIDERADO RESPONSABLE ANTE DAÑOS CAUSADOS POR LA FALTA DE PUESTA A TIERRA DE LA INSTALACIÓN.

Si el cable de alimentación está dañado, debe ser sustituido por un cable o conjunto especial a suministrar por el fabricante o el servicio postventa. Dicha sustitución debe ser realizada por el servicio técnico cualificado.

Se deberá colocar la máquina de tal manera que se deje un espacio mínimo entre la parte posterior y la pared para permitir la accesibilidad a la clavija del cable de manera cómoda y sin riesgos.

Cuidado con el enchufe. Es conveniente instalar interruptores y disyuntores adecuados.

El voltaje está marcado en la placa de características y en las hojas técnicas de este manual. Las variaciones en el voltaje superiores al 10% del indicado en la placa pueden ocasionar averías o impedir que la máquina arranque.

Si la máquina de hielo no está equipada con un CABLE DE ALIMENTACIÓN y enchufe, u otro medio de desconexión de la fuente de alimentación que tenga una separación de contactos de todos los polos, que proporcione una desconexión completa en condiciones de sobretensión de clase III, entonces el medio de desconexión debe incorporarse al cableado fijo de acuerdo con las reglas de cableado.

ATENCIÓN: El aparato requiere una fuente de alimentación independiente de capacidad adecuada. Consulte las especificaciones eléctricas en la placa de identificación. Si no se utiliza una fuente de alimentación independiente de la capacidad sugerida, se puede producir una desconexión del interruptor, un fusible fundido, daños en el cableado existente o fallos en los componentes. Esto podría provocar un sobrecalentamiento.

(8) INSTALACIÓN DE EQUIPOS MODULARES SOBRE SILOS

Los fabricantes modulares deben instalarse sobre depósitos o silos, siguiendo las indicaciones contenidas en este manual. Se debe verificar la resistencia y estabilidad del conjunto recipiente-máquina/s, así como la fijación de los elementos. Seguir las instrucciones del fabricante del silo.

Puesta en Marcha

(1) Comprobación Previa

- a) ¿Está la máquina nivelada?
- b) ¿Es el voltaje y la frecuencia igual al de la placa?
- c) ¿Están los desagües conectados y funcionan?
- d) ¿Están la temperatura ambiente y la del agua entre los siguientes valores?

	AMBIENTE	AGUA
MAXIMO	109° F / 43° C	95° F / 35°C
MINIMO	43° F / 10° C	35° F / 5°C

- e) ¿La presión de agua es la adecuada?

MINIMO	14 psig (1 Bar)
MAXIMO	85 psig (6 Bar)

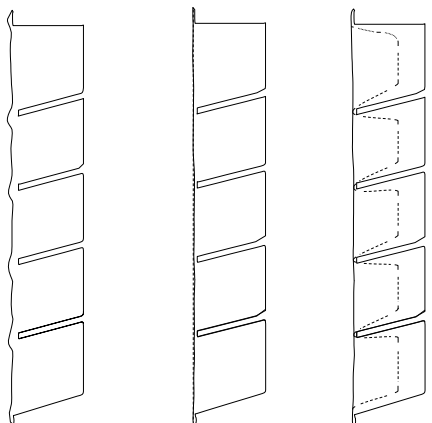
NOTA: Si la presión de entrada de agua es superior a 85 psi (6 bar) instalar un reductor de presión.

(2) Puesta en Marcha

Una vez seguidas las instrucciones de instalación (ventilación, condiciones del local, temperaturas, calidad de agua etc.) proceder como sigue:

1. Abrir la llave de paso de agua. Comprobar que no hay fugas.
2. Para modelos compactos abrir la puerta y quitar los elementos de protección que se encuentran en la cortina. Para modelos modulares quitar los dos tornillos de bloqueo de la parte superior de la máquina, quitar el panel frontal y retirar los elementos de protección que se encuentran en la cortina y en el detector de espesor.
3. Verificar que la cortina se mueve libremente. Para modelos modulares verificar también que el detector de espesor se mueve libremente.
4. Conectar la maquina a la red eléctrica.
5. Para modelos compactos: presionar el interruptor azul en la parte frontal de la máquina. Para modelos modulares: presionar el interruptor azul situado en la parte trasera de la máquina y disponer el conmutador de trabajo (hielo-limpieza) en la posición I.
6. Verificar que no hay vibraciones o fricciones en los elementos.
7. Verificar que la caída de agua al evaporador se produce de forma uniforme y que todos los cubitos están adecuadamente mojados.
8. Cerrar la puerta (para modelos compactos) / Colocar el panel frontal en su sitio (para modelos modulares).
9. Para modelos modulares: Verificar la losa de hielo con los dibujos abajo. En el caso de que el detector de espesor necesite ser regulado, girar el tornillo de ajuste de espesor en sentido horario para incrementar el espesor del puente. Girar en sentido antihorario para reducir el espesor del puente. Para modelos compactos ajustar el termostato de ciclo.

MODELOS MODULARES

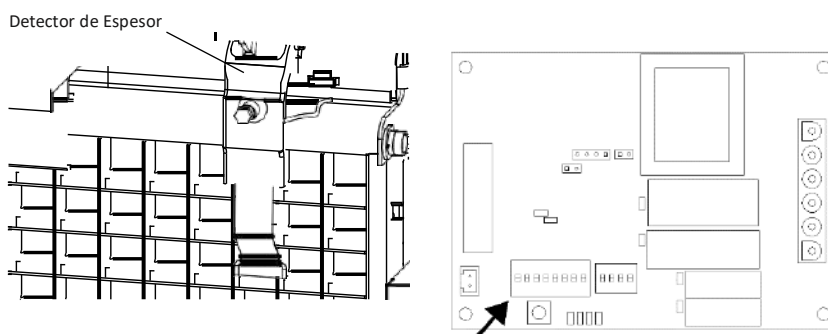


Grande

Correcto

Pequeño

MODELOS COMPACTOS



Daños ocasionados debido a una falta de mantenimiento y limpieza no se incluyen en la garantía.

(3) Secuencia de Operación PARA MODELOS COMPACTOS:

Puesta en marcha inicial: Se recomienda que la primera vez que se arranque la máquina se comience en la secuencia de despegue para asegurar que el depósito de agua está lleno.

Fase de frío: El compresor está funcionando. El micro G2 desactiva la válvula de gas caliente y el evaporador comienza a enfriarse. El micro G2 activa la bomba de agua y el agua circula desde el depósito de agua al distribuidor superior, pasando a través de cada celda donde se congela.

Fase de despegue: El compresor continúa funcionando. El micro G2 activa la válvula de gas caliente durante un cierto tiempo. El micro G3 al mismo tiempo activa la válvula de entrada de agua durante un cierto tiempo para llenar el depósito de agua con la cantidad apropiada de agua. La losa de hielo desliza y cae en el almacén de hielo. Después de esto la fase de frío comienza de nuevo.

Cuando el almacén de hielo está lleno, el termostato detecta una temperatura baja y la máquina se apaga al final de la fase de frío. La máquina se queda apagada hasta que se haya quitado suficiente hielo del almacén y el termostato haya dejado de detectar esta temperatura baja.

Instrucciones de mantenimiento y limpieza

Es responsabilidad del usuario mantener la máquina de hielo y el almacén de hielo in condiciones sanitarias correctas.

Las máquinas de hielo también requieren ocasionalmente la limpieza del circuito por donde circula el agua con un producto químico específico. Este producto disuelve la acumulación de cal que se forma durante el proceso de fabricación de hielo.

Desinfectar el almacén de hielo tan frecuentemente como requiera las leyes sanitarias y cada vez que la máquina se limpie y desinfecte.

El circuito de agua de la máquina debería ser limpiado y desinfectado al menos 2 veces al año.

ATENCIÓN: No mezclar el las soluciones de limpieza y desinfección juntas.

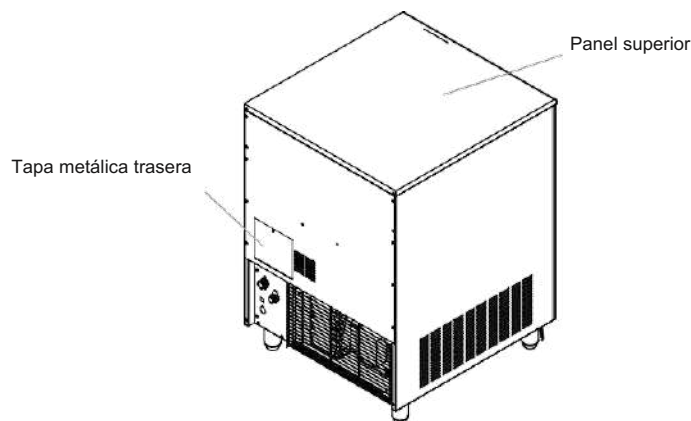
ATENCIÓN: Utilizar guantes de goma y gafas de seguridad cuando se manipule con el producto de limpieza o de desinfección.

ATENCIÓN: La unidad debe estar siempre desconectada durante los procedimientos de limpieza y de desinfección.

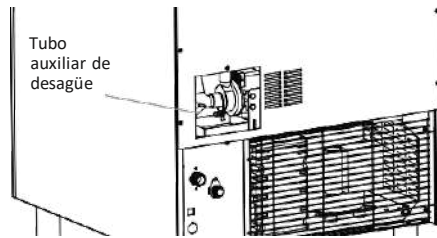
LIMPIEZA DEL SISTEMA DE DISTRIBUCIÓN DE AGUA

(1) Limpieza del Sistema de Distribución de Agua para Modelos Compactos

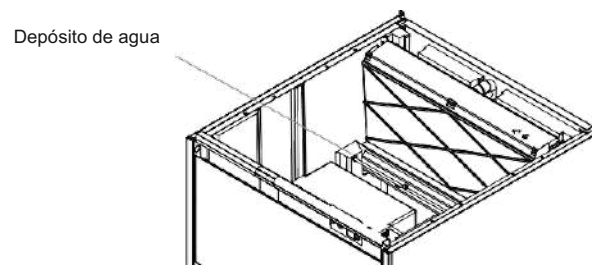
1. Poner el interruptor general en la posición OFF después de que el hielo haya caído del evaporador al final de la fase de despegue, o ponerlo directamente en la posición OFF y dejar que el hielo del evaporador se funda. ATENCIÓN: Nunca utilizar algo para forzar el hielo del evaporador.
2. Quitar la tapa metálica trasera y el panel superior (si se cree necesario para facilitar las operaciones de limpieza).



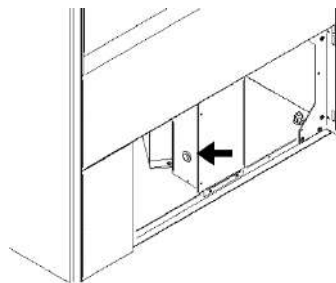
3. Quitar el hielo del almacén de stock.
4. Quitar el tubo auxiliar de desagüe cerca de la bomba y vaciar el depósito de agua. Volver este a su posición original para evitar su que caiga agua.



5. Preparar una solución de un producto apropiado para la limpieza de las máquinas (cal). No utilizar ácido clorhídrico. Recomendamos el uso de un producto que elimine la cal aprobado por NSF y preparado según las instrucciones del fabricante.
6. Rellenar el depósito de agua con la solución.

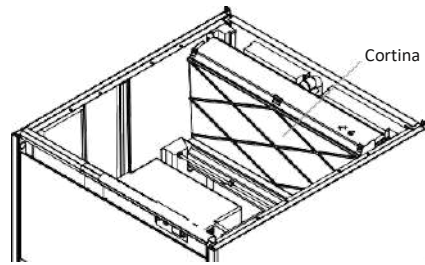


7. Encienda la máquina mientras mantiene pulsado el botón de lavado detrás de la rejilla delantera para hacer funcionar la bomba de agua.
8. Deje la solución durante 30-40 minutos y luego apague la máquina.



9. Desconectar la alimentación eléctrica y suministro de agua.
10. Quitar el tubo auxiliar de desagüe y purgar la solución que elimina la cal y los residuos. Volver a ponerlo en su sitio.
11. Mezclar suficiente solución (como en el punto 5) para limpiar las piezas y el interior de las zonas en contacto con el agua.

12. Quitar la cortina.



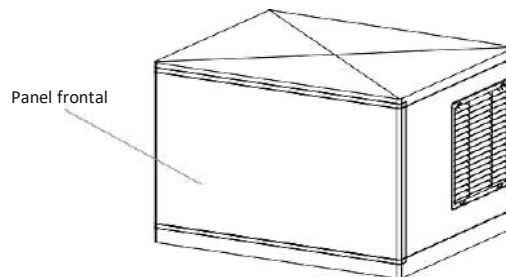
13. Limpiar todas las superficies de la cortina con el producto limpiador utilizando un cepillo (no de alambre) o paño. Aclarar todas las áreas con agua.
14. Limpiar todas las superficies del interior del compartimento de frío (incluyendo el almacén de hielo) con la solución limpiadora utilizando un cepillo o paño. Aclarar todas las áreas con agua.
15. Mezclar una solución de desinfectante utilizando una solución de hipoclorito alimentario (aprobada EPA/ FDA) para formar una solución de 100 a 200 ppm cloro libre.
16. Desinfectar todas las superficies de la cortina aplicando suficientemente la solución desinfectante con un paño o esponja.
17. Desinfectar todas las superficies del compartimento de frío (incluyendo el almacén de hielo) aplicando suficientemente la solución desinfectante con un paño o esponja.
18. Colocar la cortina en su posición.
19. Conectar el cable de alimentación y el suministro de agua.
20. Llenar el depósito de agua con la solución desinfectante.
21. Arrancar la máquina para activar la bomba. Dejar la solución circular durante 20 minutos y apagar.
22. Quitar el tubo auxiliar de desagüe y purgar la solución desinfectante y el residuo. Colocar de nuevo. Llenar el depósito con agua y accionar la máquina para permitir que circule el agua durante 5 minutos y entonces apagar la máquina. Repetir esta operación dos veces más para aclarar a conciencia.
23. Quitar el tubo auxiliar para desaguar. Colocarlo de nuevo y llenar el depósito con agua para asegurar que la bomba funciona correctamente.
24. Accionar el interruptor del compresor (posición I).
25. Colocar la tapa metálica trasera y la cubierta superior en su posición.
26. Accionar la máquina y descartar las dos primeras cosechas.

(2) Limpieza del Sistema de Distribución de Agua para los Modelos Modulares

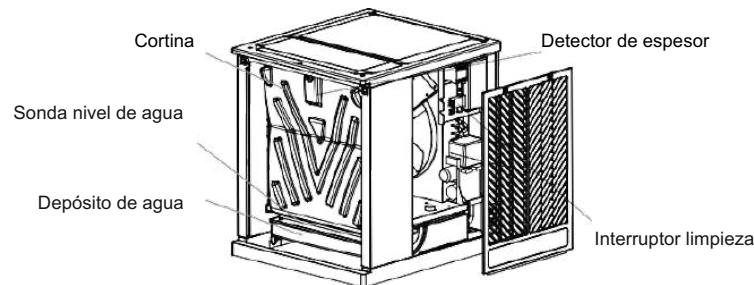
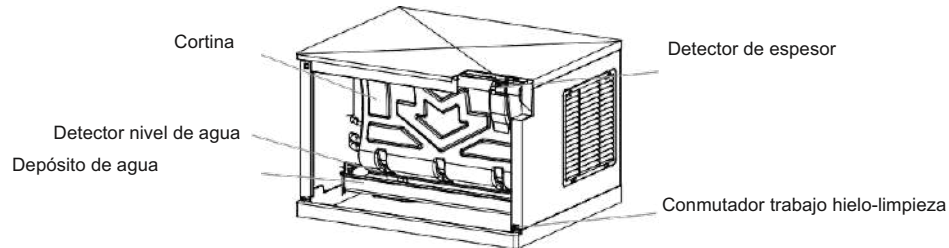
1. Poner el conmutador de trabajo (hielo-limpieza) en la posición OFF (position 0) después de que caiga el hielo del evaporador al final de la fase de despegue o poner el interruptor en la posición OFF y dejar que el hielo del evaporador se derrita.

ATENCIÓN: Nunca utilizar algo para forzar el hielo del evaporador. Se podría dañar.

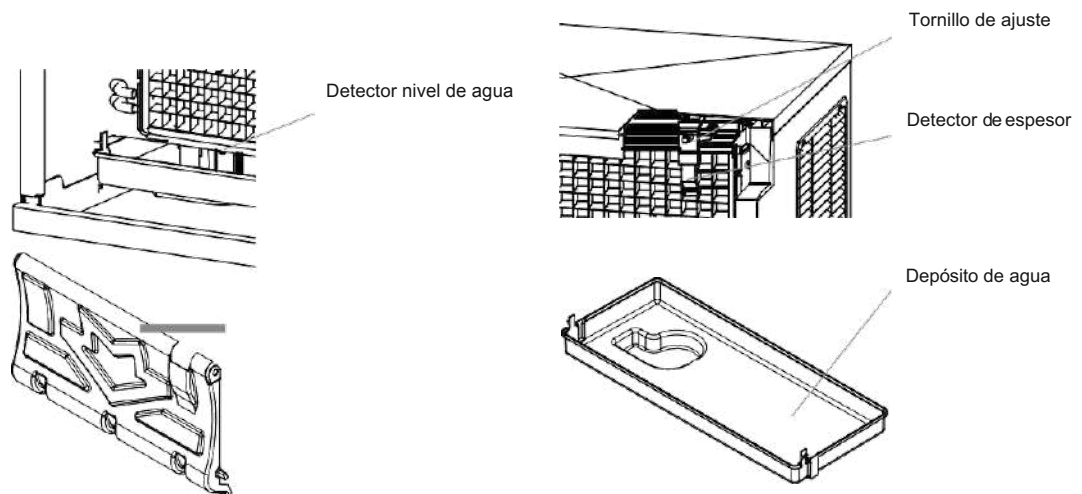
Quitar el panel frontal



2. Preparar una solución de un producto apropiado para la limpieza de las máquinas (cal). No utilizar ácido clorhídrico. Recomendamos el uso de un producto que elimine la cal aprobado por NSF y preparado según las instrucciones del fabricante. En los modelos modulares el depósito de agua es rellenado automáticamente así que recomendamos preparar una solución previa (por ejemplo 0.15 gal) según las instrucciones del fabricante con la cantidad total del producto necesario para el depósito de agua.
3. Para empezar el ciclo de limpieza, mover el conmutador de trabajo a la posición de limpieza (posición II). La máquina desagua el depósito y lo rellena. Verter la solución limpiadora dentro del depósito.



4. Permitir que la solución circule por el sistema de distribución de agua durante 30-40 minutos y entonces poner el conmutador de trabajo (hielo-limpieza) en la posición OFF.
5. Para purgar la solución limpiadora y los residuos mover el conmutador de trabajo a la posición de limpieza (la máquina desagua el depósito y lo rellena). Y entonces poner el conmutador de trabajo en la posición OFF.
6. Desconectar el cable de alimentación y el suministro de agua.
7. Mezclar una solución desinfectante.
8. Quitar la cortina y el depósito de agua.
9. Limpiar las superficies de metal, el detector de espesor, el detector de nivel de agua el tornillo de ajuste, la cortina y el depósito de agua con la solución limpiadora utilizando un cepillo (no de alambre) o paño.



10. Limpiar las superficies del interior del compartimento de frío (incluyendo paredes, piezas de plástico del evaporador, distribuidor,...) y el panel frontal con la solución limpiadora utilizando un cepillo o paño.
11. Mezclar una solución de desinfectante utilizando una solución de hipoclorito alimentario (aprobada EPA/ FDA) para formar una solución de 100 a 200 ppm cloro libre.
12. Desinfectar todas las superficies del detector de espesor, del detector del nivel de agua, de la cortina y del depósito de agua aplicando abundante solución utilizando un paño o esponja.
13. Desinfectar las superficies interiores del compartimento de frío. (incluyendo paredes, piezas de plástico del evaporador, distribuidor,...) y el panel frontal aplicando la solución utilizando un paño o esponja.
14. Colocar el depósito de agua y cortina a su posición normal.
15. Conectar el cable de alimentación y el suministro de agua.
16. Para empezar un ciclo de desinfección, mover el conmutador de trabajo a la posición de limpieza. La máquina desagua el depósito y lo rellena. Verter la solución dentro del depósito de agua para obtener una solución como se indica en el punto 12.
17. Permitir que circule la solución por el sistema de distribución de agua durante 20 minutos y entonces poner el interruptor de trabajo en la posición OFF.
18. Para purgar la solución desinfectante y los residuos poner el conmutador de trabajo a la posición de limpieza (desagua y rellena) y permitir que el agua circule durante 5 min y entonces poner el interruptor en la posición OFF (desagüe). Repetir esta operación 2 veces más para aclarar a conciencia.
19. Colocar el panel en su posición.
20. Colocar el conmutador de trabajo en la posición de ON (posición I) y descartar las dos primeras cosechas.

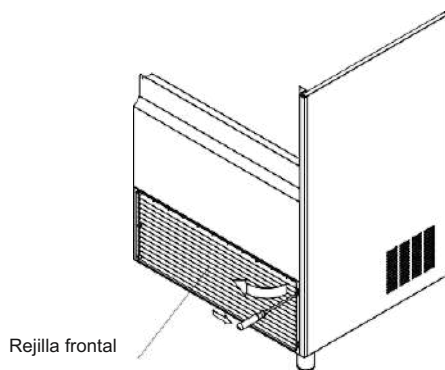
LIMPIEZA DEL ALMACÉN DE HIELO (PARA MODELOS COMPACTOS)

1. Desconectar la máquina, cerrar el grifo de agua y vaciar el almacén de hielo.
2. Utilizar la solución limpiadora para limpiar todas las superficies del almacén. Utilizar un cepillo o paño. Entonces aclarar todas las áreas a conciencia con agua limpia.
3. Utilizar la solución desinfectante para desinfectar todas las superficies del almacén de hielo. Utilizar un cepillo o un paño.
4. Aclarar con abundante agua, secar, arrancar la máquina y abrir el grifo de agua.

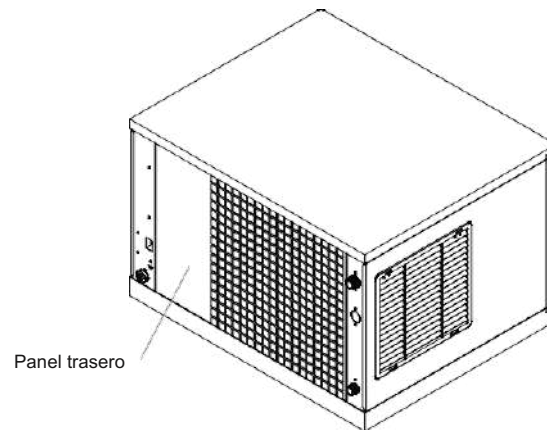
LIMPIEZA DEL CONDENSADOR

(1) Condensador de Aire

1. Desconectar la máquina y cerrar el grifo de agua.
2. Para modelos compactos quitar la rejilla frontal presionando los dos clips localizados en el lado derecho (ver figura).



Para modelos modulares quitar el panel trasero (ver figura).



3. Limpiar el condensador utilizando un aspirador, un cepillo suave o aire a baja presión. Limpiar de abajo a arriba, no de lado a lado.

Ser cuidadosos para no doblar las aletas del condensador.

(2) Condensador de Agua

El condensador de agua puede necesitar limpieza debido a la acumulación de cal. El procedimiento de limpieza necesita bombas y soluciones especiales. Estas deben ser llevadas a cabo por personal de mantenimiento o servicio cualificado.

LIMPIEZA DEL EXTERIOR DE LA MÁQUINA

Limpiar el área alrededor de la máquina tan a menudo como sea necesario para mantenerlo limpio. Se puede utilizar una esponja con detergente y agua para quitar el polvo y la suciedad del exterior de la máquina. Secar con un paño limpio y suave. Se puede utilizar un limpiador específico para acero inoxidable si se cree necesario.

COMPROBAR FUGAS DE AGUA

Siempre que se intervenga en la máquina revisar todas las conexiones de agua, estado de las abrazaderas y mangueras con el fin de no dejar fugas y prevenir roturas e inundaciones.

Guía de Solución de Problemas para el Usuario

MODELOS COMPACTOS:

PROBLEMA	CAUSA PROBABLE	SOLUCION
Ninguna de las partes eléctricas funciona.	La máquina está desenchufada.	Enchufar la máquina y verificar la toma eléctrica.
	El termostato de stock está abierto. Hielo tocando el tubo del almacén.	Quitar hielo del almacén.
	El termostato de stock está abierto. No hay hielo tocando el tubo del almacén.	Ajustar el termostato de stock (caja eléctrica, debajo de la tapa superior).
Todas las partes eléctricas trabajan pero no el compresor (el agua no se enfría).	El interruptor del compresor (junto a la caja eléctrica) está en la posición de "limpieza" (posición 0).	Poner el interruptor del compresor en la posición de "hielo" (posición 1).
No hay agua en el depósito.	No entra agua.	Comprobar la entrada de agua.
	Filtro de la válvula de entrada de agua bloqueado.	Comprobar y limpiar.
Almacén lleno y hielo tocando el tubo termostato, pero la máquina no para.	El termostato de stock no abre (solo opera en la fase de despegue).	Ajustar el termostato de stock (caja eléctrica, bajo la tapa superior).
La losa de hielo está vacía o es demasiado gruesa.	Tiempo de ciclo desajustado.	Ajustar el termostato de ciclo (caja eléctrica, bajo la tapa superior).
Dificultades para sacar la losa de hielo en la fase de despegue.	Unidad mal nivelada (inclinada hacia atrás).	Nivelar; bajar el frente.
	Falta de tiempo de despegue.	Añadir más taqués a la rueda del temporizador (seguir indicaciones del adhesivo).
La caída de agua al evaporador no es un patrón uniforme.	Distribuidor con suciedad o cal.	Realizar el procedimiento de limpieza de cal. Quitar y limpiar el distribuidor (tirar de los dos clips de los laterales del distribuidor).
La unidad arranca y para alternativamente.	El presostato de seguridad se abre.	Limpiar el condensador de aire (debajo detrás de la rejilla frontal).
Para otros problemas llamar al servicio postventa.		

MODELOS MODULARES:

PROBLEMA	CAUSA PROBABLE	SOLUCIÓN
Ninguna de las partes eléctricas funciona.	La máquina está desenchufada.	Enchufar la máquina y verificar la toma eléctrica.
	Interruptor trasero en OFF.	Poner interruptor trasero en ON.
	Conmutador de trabajo frontal en posición "0".	Poner el conmutador a la posición de "hielo" (posición I).
Todas las partes eléctricas trabajan pero no el compresor (el agua no se enfría).	Conmutador de trabajo frontal en posición de "limpieza" (posición II).	Poner el conmutador en la posición de "hielo" (posición I).
No hay agua en el depósito.	No entra agua.	Comprobar la entrada de agua.
	Filtro de la válvula de entrada de agua bloqueado.	Comprobar y limpiar.
No hay agua suficiente para finalizar el ciclo.	Detector de nivel de agua demasiado bajo.	Subir el detector de nivel de agua (barra de acero inoxidable al lado de la bomba).
	Válvula de purga defectuosa (verificar fugas en el drenaje durante la fase de frío)	Desmontar y limpiar.
	Fugas de salpicado de la cortina.	Verificar la posición de la cortina.
El agua rebasa el depósito.	El detector de nivel demasiado alto o con cal.	Ajustar y limpiar.
Losa de hielo vacía o demasiado fina.	Detector de espesor desajustado.	Ajustar y limpiar.
Dificultad para quitar la losa en el despegue.	La unidad está mal nivelada (inclinada hacia atrás).	Nivelar; bajar el frente.
La caída de agua al evaporador no es un patrón uniforme.	Distribuidor con suciedad o cal.	Realizar el procedimiento de limpieza de cal. Quitar y limpiar el distribuidor (tirar de los dos clips de los laterales del distribuidor).
Baja producción.	Condensador sucio.	Limpiar (comprobar también la temperatura del aire y del agua)
La unidad para después de poco tiempo funcionando.	El presostato de seguridad se abre.	Limpiar el condensador de aire (en la parte trasera).
Para otros problemas llamar al servicio postventa.		

Introduction

Merci d'avoir acheté une machine à glaçons. Vous avez acheté une des machines à glace les plus fiables dans le marché actuel.

Lire attentivement les instructions contenues dans ce manuel car elles donnent des indications essentielles pour la sécurité de l'installation, de l'emploi et de l'entretien de l'appareil.

Attention

Cet appareil est destiné à être utilisé dans des applications domestiques et similaires telles que les cuisines du personnel dans les magasins, les bureaux et autres espaces de travail ; les fermes et par les clients dans les hôtels, les motels et autres de type résidentiel et bed and breakfast ; la restauration et autres applications similaires non liées à la vente au détail.

L'installation doit être effectuée par le Service d'assistance technique. L'interrupteur de la prise électrique doit être installé dans un endroit accessible.

Débrancher TOUJOURS l'appareil du réseau électrique AVANT de procéder aux opérations de nettoyage ou d'entretien. Toute modification à effectuer au niveau de l'installation électrique pour mieux installer l'appareil, doit être confiée à un technicien qualifié. L'utilisation de l'appareil pour tout utilisation autre que la fabrication de glaçons en utilisant de l'eau potable, est considérée incorrecte.

Les modifications effectuées à l'appareil (même à titre d'essai), au-delà de faire tomber la garantie, peuvent résulter extrêmement dangereuses.

Cet appareil n'est pas prévue pour être utilisée sans surveillance par de jeunes enfants ou des personnes handicapées.

Ne pas utiliser l'appareil à l'extérieur. Ne pas exposer l'appareil à la pluie.

La machine doit être branchée à l'aide du cordon d'alimentation fourni avec l'équipement.

Voir le chapitre "Installation" (5).

Ne pas utiliser l'appareil à l'extérieur. Ne pas exposer l'appareil à la pluie.

Utiliser uniquement le câble d'alimentation électrique fourni avec l'appareil.

Cet appareil doit obligatoirement être mis à la terre a fin d'éviter des électrocutions ou des dommages à l'appareil, la machine à glaçons doit être mise à la terre conformément aux codes et règlements nationaux et/ou locaux. Le fabricant ne peut être retenu responsable des dommages causes par l'inexistence d'une connexion à la terre. Voir le chapitre "Installation" (5).

Afin d'assurer l'efficacité de l'appareil, il faut suivre les instructions du fabricant, notamment en ce qui concerne les opérations de nettoyage et d'entretien, lesquelles devront être par la plupart effectuées par un technicien qualifié.

ATTENTION: L'intervention par des personnes non-qualifiées, à part d'être dangereux, peut abîmer sérieusement l'appareil. En cas de panne et ou de mauvais fonctionnement de l'appareil s'adresser au distributeur. Exiger l'emploi de pièces de rechange d'origine.

L'entreprise se réserve le droit de modifier les spécifications et dessin du produit sans préavis



Ce signal indique « Risque d'incendie / Matières inflammables » en raison de l'utilisation d'un réfrigérant inflammable.

Pour les **appareils à compression qui utilisent des réfrigérants inflammables**, il est également important de tenir compte du contenu des mises en garde énumérées ci-dessous :

- Maintenir les ouvertures de ventilation, dans le boîtier de l'appareil ou dans la structure encastrée, libres de toute obstruction.
- Ne pas utiliser de dispositifs mécaniques ou d'autres moyens pour accélérer le processus de dégivrage, autres que ceux recommandés par le fabricant.
- Ne pas endommager le circuit réfrigérant.
- Ne pas utiliser d'appareils électriques à l'intérieur des compartiments de stockage des aliments de l'appareil, sauf s'ils sont du type recommandé par le fabricant.
- Ne pas entreposer de substances explosives telles que des bombes aérosol contenant un gaz propulseur inflammable dans cet appareil.

En cas de fuite de réfrigérant inflammable :

- Ne pas générer de flammes à proximité de l'appareil.
- Ne pas allumer/éteindre ou brancher/débrancher l'appareil.
- Aérer immédiatement la zone où se trouve l'appareil en ouvrant les portes et/ou les fenêtres.
- Faire appel à un service technique autorisé.

Élimination de la machine à glace: l'entreprise encourage à suivre les réglementations de chaque pays concernant la mise au rebut écologique de dispositifs électriques et électroniques tels que celui-ci. L'utilisateur qui veut se débarrasser de ce matériel doit contacter le fabricant et suivre la méthode pour s'approprier la collecte différenciée pour les traitements ultérieurs.

Reception de l'appareil

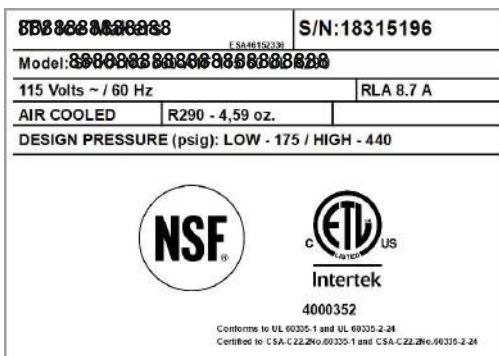
Vérifier la partie externe de l'emballage. Si le carton est endommagé, veuillez réclamer au transporteur. Pour constater si l'appareil est endommagé, DEBALLER L'APPAREIL DEVANT LE TRANSPORTEUR et rendre compte sur le document de réception de l'appareil -ou en document séparé- les dommages qui puissent avoir subi l'appareil.

Marquer toujours le numéro de l'appareil et son modèle. Ce numéro se trouve dans trois endroits différents:

- (1) Emballage : A l'extérieur de l'emballage se trouve une étiquette avec le numéro de fabrication.



- (2) Extérieur de l'appareil: A l'arrière se trouve une étiquette identique à la précédente.
- (3) Plaque de caractéristiques: Située à l'arrière de la machine.



Vérifier que le KIT d'installation se trouve à l'intérieur de l'appareil. Celui-ci est composé de:

- Pelle à glace, tuyau de vidange, quatre pieds et manuel.
- Garantie et numero de serie.

AVERTISSEMENT: Tous les éléments d'emballage (sacs en plastique, cartons et palettes en bois), pouvant être potentiellement dangereux, ne doivent pas être laissés à la portée des enfants.

Installation

(1) EMBLACEMENT DE LA MACHINE

Cet appareil n'a pas été conçu pour fonctionner à l'extérieur. Ne pas placer à côté des fours, des grillades ou d'autre équipement qui génère beaucoup de chaleur.

Les machines sont conçues pour travailler avec un rang de température ambiante se situant entre 41°F (5°C) et 109.4°F (43°C). Par dessous des températures minimales on peut constater de difficultés pour le décollage des glaçons. Par-dessus des températures maximales la vie du compresseur se raccourcie et la production de glaçons diminue considérablement.

Les machines à glaçons (compactes) avec condensateur à air, prennent l'air par le devant de l'appareil et le font sortir par les fentes latérales et par l'arrière et aussi par l'avant, grâce à sa nouvelle structure et le placement du condensateur de manière oblique. Ne rien placer sur l'appareil ni devant la grille de ventilation. Si l'entrée d'air par avant est insuffisante, ou la sortie d'air reste totale ou partiellement couverte, ou bien comme conséquence de recevoir de l'air chaud d'un autre appareil, dans le cas où l'appareil ne pourrait pas être remplacé, nous conseillons d'installer un appareil avec condensateur d'eau.

Les modèles (modulaires) condensés par air prennent l'air par l'arrière de la machine et le dirigent à travers des grilles latérales. Au cas où il n'est pas possible de respecter les distances minimales recommandées (voir la figure du point 3) nous conseillons d'installer une machine condensée par eau.

La localisation doit laisser espace suffisant pour les connexions d'eau, vidange et électriques dans la partie arrière de la machine de glace. Il est important que le tuyau soit dégagé des sources de chaleur, afin d'éviter une moindre production de glaçons.

(2) NIVELLEMENT DE LA MACHINE A GLAÇON

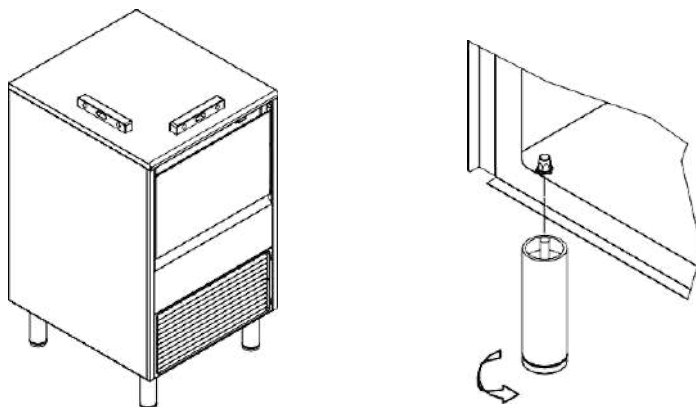
Utiliser un niveau sur la machine pour assurer que l'équipement est parfaitement nivelé.

Uniquement pour les modèles (compactes):

Visser les pieds réglables à la base de la machine tout ce qui possible. Déplacer la machine à sa position finale.

Utiliser un niveau sur la machine. Tourner chaque pied le nécessaire pour niveler la machine d'avant en arrière et de gauche à droite.

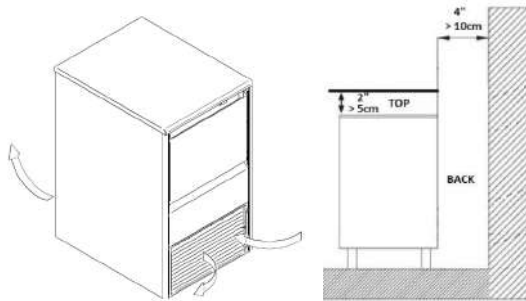
NOTE: Il existe éventuellement un kit de roues de 3 ? "(90 mm) de hauteur à utiliser au lieu des pieds. Les instructions d'installation sont fournies avec les roues.



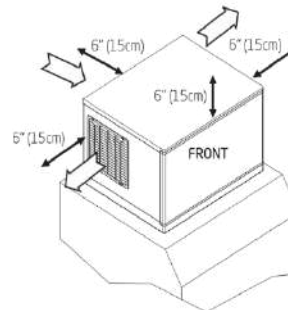
(3) DISTANCE MINIMALE AUX OBSTACLES

Ci-dessous vous pouvez voir les distances minimales recommandés pour un service et opération efficaces.

MODÈLES COMPACTES



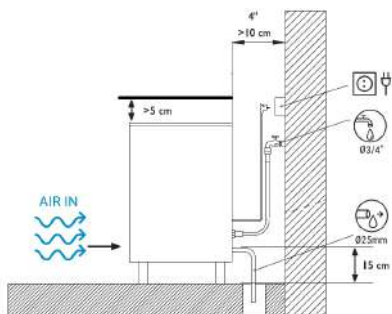
MODÈLES MODULAIRES



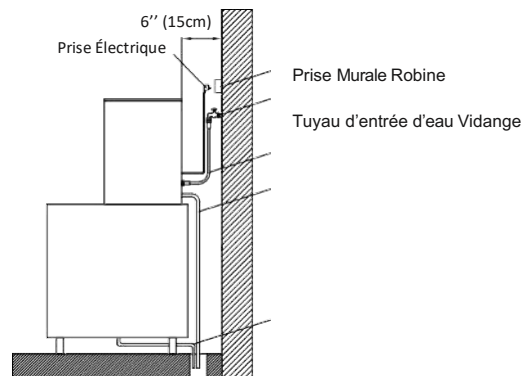
(4) SCHÉMA DE CONNEXIÓN

L'emplacement doit laisser un espace suffisant pour les raccordements d'eau, drainage et connexions électriques à l'arrière de la machine.

MODÈLES COMPACTES



MODÈLES MODULAIRES



(5) RACCORDEMENT A L'ALIMENTATION EN EAU

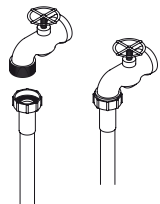
La qualité de l'eau est très importante pour l'aspect, la dureté et le goût de la glace. Dans le cas des appareils condensés par eau, ceci est en relation avec la vie du condensateur.

Selon les caractéristiques de l'eau de la zone, il peut s'avérer nécessaire de la traiter pour éviter ainsi la formation de calcaire, améliorer son goût et la transparence de la glace. Pour installer un système de filtration d'eau, veuillez consulter les instructions fournies avec celui-ci.

Utilisez un tuyau d'entrée à usage alimentaire.

La pression devrait être comprise entre 14 et 85 psi (1 et 6 bar) entrada de agua debe estar entre 10 y 85 psi (0.7 and 6 bar). Si la pression dépassent ces valeurs, installer un régulateur de pression

Le raccordement à l'eau doit être unique (uniquement un équipement accroché à la ligne d'eau). La ligne d'eau entre la vanne d'eau et la machine à glace doit être un tuyau d'identification nominale "1/4".

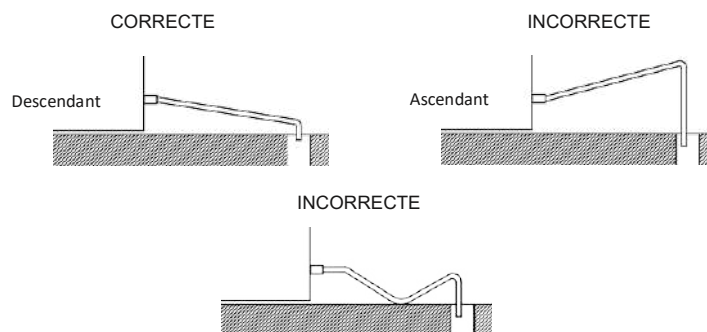


ATTENTION: Cet équipement doit être installé avec une protection anti-refoulement adéquate pour être conforme aux codes fédéraux, étatiques et locaux applicables.

(6) RACCORDEMENT AU DRAIN DE VIDANGE

Le drain de vidange doit être situé plus bas que l'appareil, 5.9" minimum (150 mm).

Il est recommandé que le tuyau de vidange soit d'un diamètre intérieur de 1.18" (30 mm), avec une pente minimale de 0.36"/pied (3 cm/mètre), par mètre (voir images).



(7) CONNEXION ÉLECTRIQUE

CET APPAREIL DOIT OBLIGATOIREMENT ÊTRE MIS À LA TERRE afin d'éviter des électrocutions ou des dommages à l'appareil, brancher l'appareil sur une prise reliée à la terre conformément aux instructions des codes et règlements locaux.

LE FABRICANT NE SERA DONC PAS RESPONSABLE DES DOMMAGES CAUSÉS PAR LE NON-RESPECT DE CES INSTRUCTIONS.

Si le câble d'alimentation est endommagé, il faut le remplacer par un câble ou ensemble qui devra être fournie par le fabricant ou par le Service Après Vente. Ce remplacement devra être effectué par un service technique qualifié.

Il est recommandé de placer l'appareil de manière à laisser un espace minimal entre le panneau arrière de l'appareil et le mur, permettant l'accès à la fiche du câble d'alimentation de manière aisée et sans risque.

Attention à la prise de courant. Il est pratique d'installer des interrupteurs et des disjoncteurs adéquats.

Le voltage et l'intensité sont indiqués sur la plaque de caractéristiques ainsi que dans les spécifications techniques du manuel. Les écarts de tension dépassant 10% de celle indiquée dans la plaque, peuvent entraîner des dommages ou empêcher le démarrage de l'appareil.

Si la machine à glaçons n'est pas équipée d'un CORDON D'ALIMENTATION et d'une fiche, ou d'un autre moyen de déconnexion du réseau d'alimentation ayant une séparation des contacts de tous les pôles, assurant ainsi une déconnexion complète dans des conditions de surtension de catégorie III, alors le moyen de déconnexion doit être incorporé dans le câblage fixe conformément aux règles de câblage.

ATTENTION : L'appareil nécessite une alimentation électrique indépendante de capacité appropriée. Voir la plaque signalétique pour les spécifications électriques. Le fait de ne pas utiliser une alimentation électrique indépendante de capacité appropriée peut entraîner le déclenchement d'un disjoncteur, la rupture d'un fusible, l'endommagement du câblage existant ou la défaillance d'un composant. Cela peut entraîner une surchauffe.

(8) INSTALLATION DE MACHINES MODULAIRES SUR DES BACS DE STOCKAGE

Les machines à glaçons modulaires doivent être installées sur des bacs de stockage, suivant les instructions du manuel. Il faut vérifier la résistance et la stabilité de l'ensemble dépôt - machine à glaçons, ainsi que les fixations des éléments. Souvez les instructions du fabricant.

Mise en Marche

(1) Vérification Préalable

- a) Vérifier que l'appareil soit nivelé
- b) Vérifier que le voltage et la fréquence soient ceux indiqués dans la plaquette
- c) Vérifier que les vidanges soient bien installées et qu'ils fonctionnent correctement
- d) Vérifier que la circulation d'air et la température ambiante soient appropriées

	AMBIANTE	EAU
MAXIMALE	109° F / 43° C	95° F / 35°C
MINIMALE	43° F / 10° C	35° F / 5°C

- e) Vérifier que la pression de l'eau soit celle indiquée ci-dessous.

MINIMALE	14 psig (1 Bar)
MAXIMALE	85 psig (6 Bar)

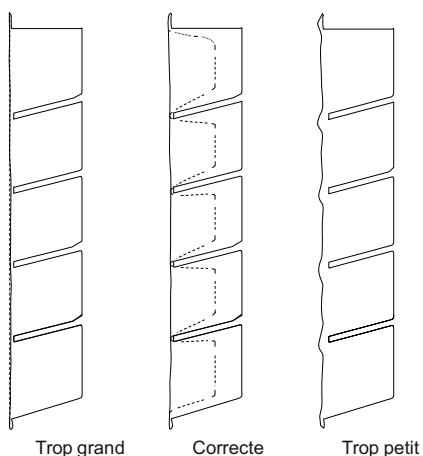
NOTE: Si la pression d'entrée d'eau est supérieure à 85 psi (6 Bar) il faut installer un réducteur de pression.

(2) Mise en Marche

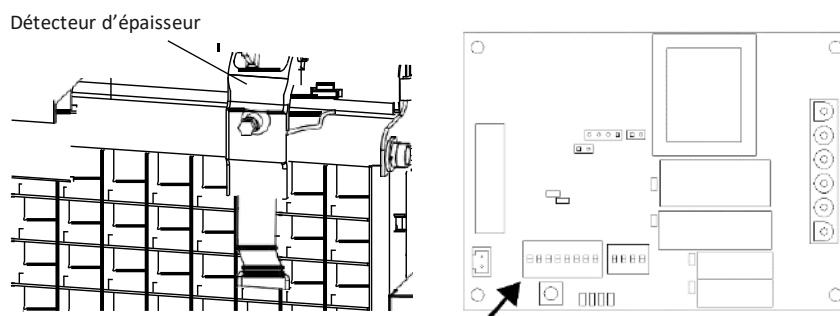
Une fois accomplies les instructions d'installation (ventilation, caractéristiques de l'emplacement, températures, qualité de l'eau, etc.), faire comme suit:

1. Ouvrir l'alimentation principale d'eau. Vérifier l'absence de fuites.
2. Pour les modèles compacts ouvrir la porte et enlever les éléments de protection fixant le rideau. Pour les modèles modulaires supprimer les deux vis de blocage de la partie supérieure de la machine, enlever le panneau frontal et supprimer les éléments de protection dans le rideau et dans le détecteur d'épaisseur.
3. Vérifier que le rideau se déplace librement. Pour les modèles modulaires vérifier aussi que le détecteur d'épaisseur se déplace librement.
4. Brancher l'appareil à la prise électrique.
5. Pour les modèles compacts : appuyer l'interrupteur bleu dans la partie frontale de la machine. Pour les modèles modulaires: appuyer l'interrupteur bleu situé dans la partie postérieure de la machine et disposer le commutateur de travail (glace - nettoyage) dans la position I.
6. Vérifier qu'aucun élément puisse vibrer ou frôler.
7. Vérifiez que la chute de l'eau sur l'évaporateur se produit uniformément et que tous les glaçons sont correctement trempés.
8. Fermez la porte (pour les modèles compacts) / Mettez le panneau frontal à sa place (dans les modèles modulaires).
9. Pour les modèles modulaires: Vérifiez que les dessins du bloc de glace se trouvent orientés vers le bas. Pour régler le détecteur d'épaisseur, tournez la vis de réglage d'épaisseur dans le sens des aiguilles d'une montre pour augmenter l'épaisseur du pont. Tourner dans le sens contraire pour réduire l'épaisseur du pont.

MODÈLES MODULAIRES



MODÈLES COMPACTES



Les dommages imputables à un manque d'entretien et de nettoyage ne sont pas inclus dans la garantie.

(3) Séquencé d'opérations POUR MODÈLES COMPACTES:

Mise en service initiale: Nous vous recommandons lors de la première mise en service de commencer par la séquence de récolte afin que le réservoir d'eau soit plein.

Phase de froid: Le compresseur est en fonctionnement. Le micro G2 désactive la valve du gaz chaud et l'évaporateur commence à se refroidir. Le micro G2 active la pompe d'eau, l'eau circule du réservoir d'eau jusqu'au distributeur supérieur, et en traversant chaque cellule elle se congèle.

Phase de récolte: Le compresseur est toujours en fonctionnement. Le micro G2 active la valve du gaz chaud pendant un certain temps. Le micro G3 active la valve d'entrée d'eau pendant un certain temps pour remplir le réservoir avec la quantité correcte d'eau. Le bloc de glace glisse et tombe dans le bac de stockage de glace. Ensuite, la phase de froid recommence.

Quand le bac de stockage de glace est plein, le thermostat détecte une température basse et la machine s'éteint à la fin de la phase de froid. La machine reste éteinte jusqu'à ce qu'on retire du bac de stockage suffisamment de glace, et le thermostat ne détecte plus cette basse température.

Instructions pour l'entretien et le Nettoyage

L'utilisateur est responsable que l'entretien de la machine et du bac de stockage des glaçons soit réalisé dans les conditions sanitaires adéquates.

Le circuit des machines à glaçons dans lequel l'eau circule doit être nettoyé de temps en temps avec un produit chimique spécifique. Ce produit dissout les dépôts de calcaire qui se forment pendant le processus de fabrication des glaçons.

Désinfectez le bac de stockage de glace selon la fréquence exigée par les lois sanitaires et chaque fois que la machine soit nettoyée ou désinfectée.

Le circuit d'eau de la machine doit être nettoyé et désinfecté au moins 2 fois par an.

ATTENTION: Ne mélangez pas les produits nettoyants et désinfectants.

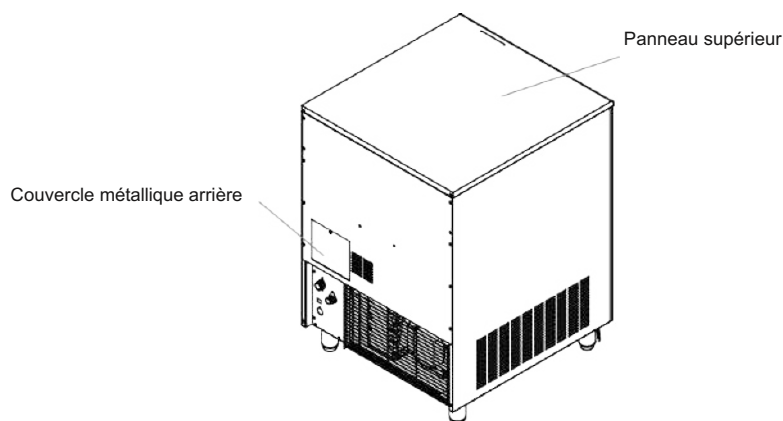
ATTENTION: Utilisez des gants en caoutchouc et des lunettes de sécurité lors de la manipulation de produits nettoyants ou désinfectants.

ATTENTION: La machine doit être toujours débranchée pendant le nettoyage et la désinfection.

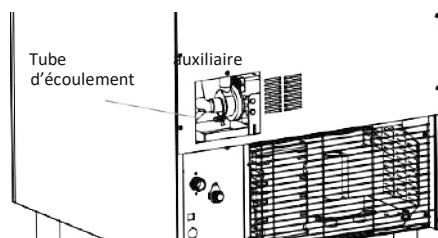
NETTOYAGE DU SYSTÈME DE DISTRIBUTION D'EAU

(1) Nettoyage du Système de Distribution d'eau pour Modèles Compacts

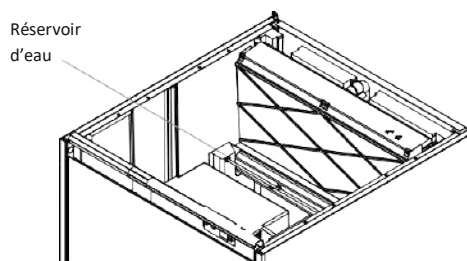
1. Mettez l'interrupteur général sur la position OFF lorsque la glace sera tombée de l'évaporateur à la fin de la phase de récolte, ou directement sur la position OFF et laissez la glace de l'évaporateur se fondre. ATTENTION: N'utilisez jamais d'outil pour forcer la glace de l'évaporateur.
2. Enlevez le couvercle métallique arrière et le panneau supérieur (si nécessaire, pour faciliter le nettoyage).



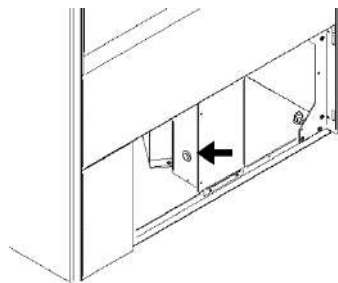
3. Enlevez la glace du bac de stockage.
4. Enlevez le tube auxiliaire d'écoulement qui se trouve près de la pompe et videz le réservoir d'eau. Remplacez-le à sa position originale pour empêcher l'eau de couler.



5. Préparez une solution d'un produit approprié pour le nettoyage des machines (calcaire). N'utilisez pas d'acide chlorhydrique. Nous recommandons d'utiliser un produit qui élimine le calcaire et qui soit approuvé par le NSF et préparé selon les instructions du fabricant.
6. Remplissez le réservoir d'eau avec la solution.

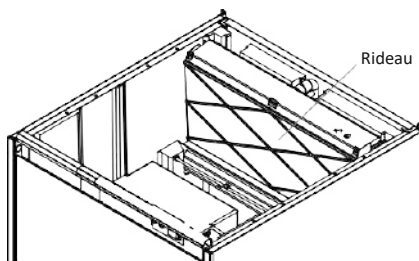


7. Allumez la machine tout en maintenant enfoncé le bouton de lavage situé derrière la grille avant afin de faire fonctionner la pompe à eau. Laissez la solution reposer pendant 30 à 40 minutes, puis éteignez la machine.



8. Débranchez du secteur ainsi que l'entrée d'eau.
9. Enlevez le tube auxiliaire d'écoulement et purgez la solution anti-calcaire et les résidus. Remettez-le à sa place.
10. Mélangez une quantité de solution suffisante (comme pour le point 5) pour nettoyer les pièces et l'intérieur des zones en contact avec l'eau.

11. Enlevez le rideau.



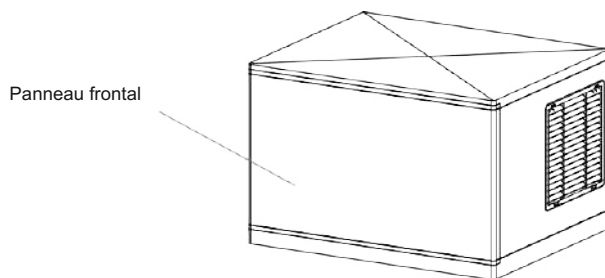
12. Nettoyez toute la surface du rideau avec le produit nettoyant à l'aide d'une brosse (n'utilisez pas une brosse en fer) ou d'un chiffon. Rincez toutes les zones avec de l'eau.
13. Nettoyez toutes les surfaces de l'intérieur du compartiment de froid (y compris le bac de stockage de glace) avec la solution nettoyante et une brosse ou un chiffon. Rincez toutes les zones avec de l'eau.
14. Préparez une solution désinfectante en utilisant une solution d'hypochlorite alimentaire (approuvée par la EPA/ FDA) pour former une solution de 100 à 200 ppm de chlore libre.
15. Désinfectez toute la surface du rideau en appliquant une quantité suffisante de solution avec un chiffon ou une éponge.
16. Désinfectez toutes les surfaces du compartiment de froid (y compris le bac de stockage de glace) en appliquant une quantité suffisante de solution avec un chiffon ou une éponge.
17. Mettez le rideau à sa place.
18. Branchez le câble d'alimentation et l'entrée d'eau.
19. Remplissez le réservoir d'eau avec la solution désinfectante.
20. Faites démarrer la machine pour activer la pompe. Laissez la solution circuler pendant 20 minutes puis éteignez la machine.
21. Enlevez le tube d'écoulement auxiliaire et purgez la solution désinfectante et les résidus. Remplacez-le. Remplissez le réservoir avec de l'eau et faites marcher la machine pour que l'eau circule pendant 5 minutes. Éteignez ensuite la machine. Répétez encore deux fois cette opération pour rincer à fond.
22. Enlevez le tube auxiliaire pour faire sortir l'eau. Remplacez-le et remplissez le réservoir avec de l'eau pour vérifier que la pompe fonctionne correctement.
23. Actionnez l'interrupteur du compresseur (position I).
24. Placez correctement le couvercle métallique arrière ainsi que le couvercle supérieur.
25. Actionnez la machine et rejetez les deux premières récoltes.
26. Nettoyage du Système de Distribution d'eau pour les Modèles Modulaires.

(1) Nettoyage du Système de Distribution d'eau pour Modèles Modulaires

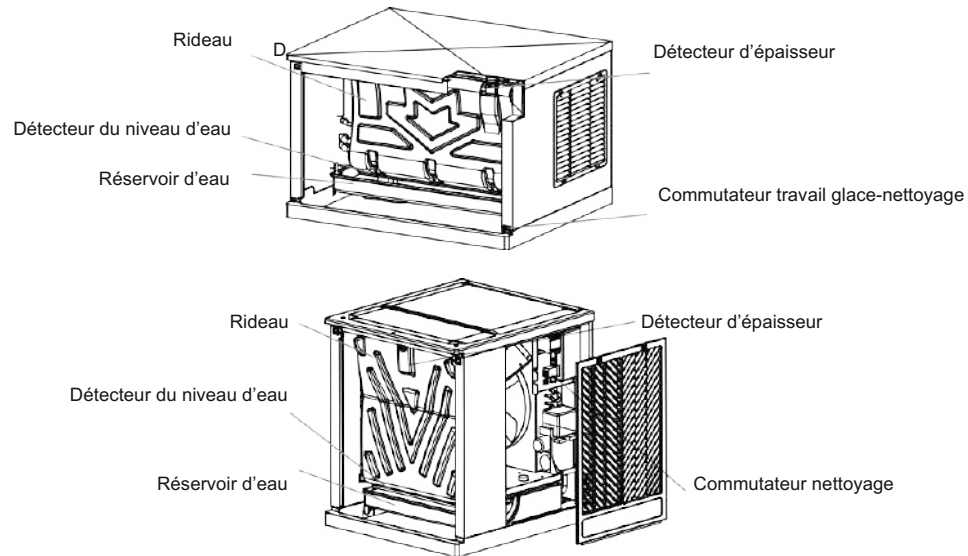
1. Mettez le commutateur de travail (glace-nettoyage) dans la position OFF (position 0) lorsque la glace sera tombée de l'évaporateur à la fin de la phase de récolte ou mettez l'interrupteur dans la position OFF et laissez que la glace de l'évaporateur se fonde.

ATTENTION: N'utilisez jamais d'outil pour forcer la glace de l'évaporateur, il pourrait s'abîmer.

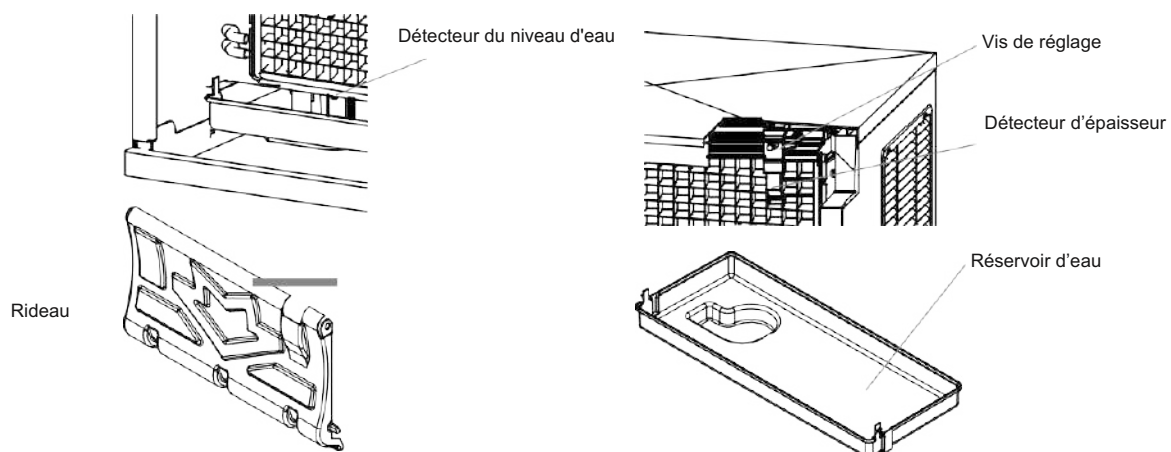
2. Enlevez le panneau frontal.



3. Préparez une solution d'un produit approprié pour le nettoyage des machines (calcaire). N'utilisez pas de l'acide chlorhydrique. Nous recommandons d'utiliser un produit qui élimine le calcaire approuvé par le NSF et préparé selon les instructions du fabricant. Comme dans les modèles modulaires le réservoir d'eau est rempli automatiquement, nous recommandons de préparer une solution préalable (par exemple 0.15 gal) en suivant les instructions du fabricant avec la quantité totale de produit nécessaire pour le réservoir d'eau.
4. Pour commencer le cycle de nettoyage, placez le commutateur de travail dans la position de nettoyage (position II). La machine vide le réservoir et le remplit ensuite. Versez la solution nettoyante dans le réservoir.



5. Laissez la solution circuler à travers le système de distribution d'eau pendant 30-40 minutes. Déplacez ensuite le commutateur de travail (gel-nettoyage) à la position OFF.
6. Pour purger la solution nettoyante et les résidus, déplacez le commutateur de travail à la position de nettoyage (la machine vide le réservoir et le remplit ensuite). Tournez ensuite le commutateur de travail à la position OFF.
7. Débranchez le câble d'alimentation et l'entrée d'eau.
8. Préparez une solution désinfectante.
9. Enlever le rideau et le réservoir d'eau.
10. Nettoyez les surfaces en métal, le détecteur d'épaisseur, le détecteur de niveau d'eau, la vis de réglage, le rideau et le réservoir d'eau avec la solution nettoyante et une brosse (pas en fer) ou un chiffon.



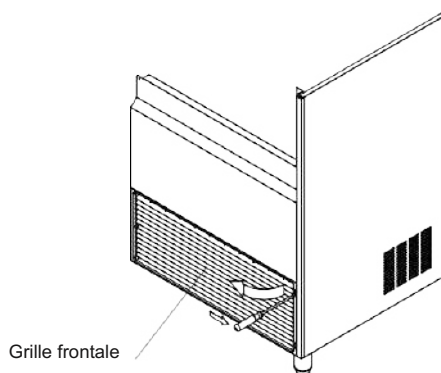
11. Nettoyez les surfaces à l'intérieur du compartiment de froid (y compris les parois, les pièces en plastique de l'évaporateur, le distributeur,...) et le panneau frontal avec la solution nettoyante et un chiffon ou une éponge.
12. Préparez une solution désinfectante avec une solution d'hypochlorite alimentaire (approuvée par l'EPA/FDA) pour obtenir une solution de 100 à 200 ppm de chlore libre.
13. Désinfectez toutes les surfaces du détecteur d'épaisseur, du détecteur du niveau d'eau, du rideau et du réservoir d'eau en appliquant la quantité de solution suffisante avec un chiffon ou une éponge.
14. Désinfectez les surfaces intérieures du compartiment de froid (y compris les parois, les pièces en plastique de l'évaporateur, le distributeur,...) et le panneau frontal en appliquant la solution à l'aide d'un chiffon ou d'une éponge.
15. Mettez le réservoir d'eau et le rideau à sa place.
16. Branchez le câble d'alimentation et l'entrée d'eau.
17. Pour commencer le cycle de désinfection, placez le commutateur de travail sur la position de nettoyage. La machine vide le réservoir et le remplit ensuite.
18. Versez la solution dans le réservoir d'eau pour obtenir une solution comme indiquée sur le point 12 .
19. Laissez la solution circuler à travers le système de distribution d'eau pendant 20 minutes, et placez ensuite l'interrupteur de travail sur la position OFF.
20. Pour purger la solution désinfectante et les résidus, placez le commutateur de travail sur la position de nettoyage (vide le réservoir et le remplit) et laissez que l'eau circule pendant 5 minutes. Placez alors l'interrupteur sur la position OFF (écoulement). Répétez 2 fois encore cette opération pour rincer à fond.
21. Mettez le panneau à sa place.
22. Placez le commutateur de travail sur la position ON (position I) et rejetez les deux premières récoltes.

NETTOYAGE DU BAC DE STOCKAGE DE GLACE (POUR MODÈLES COMPACTS)

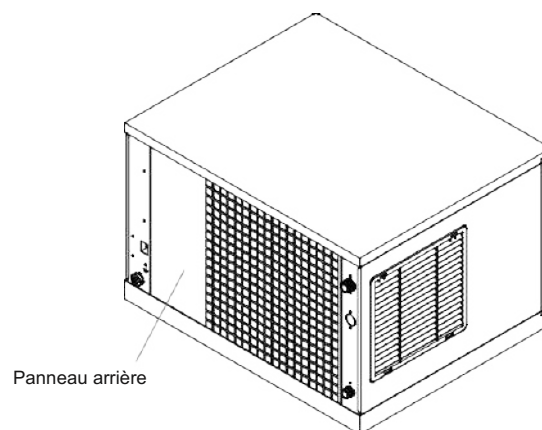
1. Débranchez la machine, fermez le robinet d'eau et videz le bac de stockage de glace.
2. Utilisez la solution nettoyante pour nettoyer toutes les surfaces du bac de stockage. Utilisez une brosse ou un chiffon. Rincez ensuite toutes les zones à fond avec de l'eau propre.
3. Utilisez la solution désinfectante pour désinfecter toutes les surfaces du bac du stockage de glace. Utilisez une brosse ou un chiffon.
4. Rincez avec de l'eau abondante, séchez, faites démarrer la machine et ouvrez le robinet d'eau.

NETTOYAGE DU CONDENSATEUR

1. Condensateur d'eau.
2. Débranchez la machine et fermez le robinet d'eau.
3. Pour les modèles compacts enlevez la grille frontale en appuyant sur les deux clips situés sur le côté droit (voir figure).



Pour les modèles modulaires enlevez le panneau arrière (voir figure).



1. Nettoyez le condensateur en utilisant un aspirateur, une brosse douce ou de l'air à basse pression. Nettoyez de bas en haut, et non pas d'un côté à l'autre. Faites attention de ne pas plier les ailettes du condensateur.

(2) Condensateur d'eau

À cause de l'accumulation de calcaire, le condensateur d'eau devra probablement être nettoyé. Le processus requiert des pompes et des solutions spéciales qui devraient seulement être manipulées par un personnel de service qualifié.

NETTOYAGE EXTÉRIEUR DE LA MACHINE

Nettoyez la zone autour de la machine aussi souvent que nécessaire pour qu'elle soit toujours propre. Vous pouvez utiliser une éponge avec du détergent et de l'eau pour enlever la poussière et la saleté de l'extérieur de la machine. Séchez avec un chiffon propre et doux. Vous pouvez utiliser un nettoyant spécifique pour acier inoxydable si vous l'estimez nécessaire.

CONTROLE DE FUITES D'EAU

Dès que l'on intervient dans l'appareil, il faut contrôler les connexions d'eau, le bon état des brides et des tuyaux afin d'empêcher d'éventuelles fuites d'eau et prévoir des dommages et des inondations.

Guide de Résolution de Problèmes pour l'utilisateur

MODÈLES COMPACTS:

PROBLÈME	CAUSE PROBABLE	SOLUTION
Aucune des parties électriques fonctionne.	La machine n'est pas branchée sur le secteur.	Branchez la machine et vérifiez la prise du secteur.
	Le thermostat du bac de stockage est ouvert. Il y a de la glace en contact avec le tube du bac de stockage.	Enlevez la glace du stockage.
	Le thermostat du bac de stockage est ouvert. Il n'y a pas de la glace en contact avec le tube du bac de stockage.	Réglez le thermostat du stockage (boîte électrique, sous le couvercle supérieur).
Toutes les parties électriques fonctionnent sauf le compresseur (l'eau ne se refroidit pas).	L'interrupteur du compresseur (à côté de la boîte électrique) est en position de "nettoyage" (position 0).	Mettez l'interrupteur du compresseur sur la position "glace" (position I).
Il n'y a pas d'eau dans le réservoir.	L'eau n'entre pas.	Vérifiez l'entrée d'eau.
	Le filtre de la valve d'entrée d'eau est bloqué.	Vérifiez et nettoyez.
Le bac de stockage est plein et la glace est en contact avec le tube du thermostat, mais la machine ne s'arrête pas.	Le thermostat du bac de stockage ne s'ouvre pas (il fonctionne seulement pendant la phase de récolte).	Réglez le thermostat du bac de stockage (boîte électrique, sous le couvercle supérieur).
Il n'y a pas de bloc de glace ou il est trop épais.	Temps de cycle désajusté.	Réglez le thermostat du cycle (boîte électrique, sous le couvercle supérieur).
Il est difficile d'extraire le bloc de glace pendant la phase de récolte.	La machine est incorrectement nivelée (inclinée vers l'arrière).	Nivelez; baissez la partie frontale.
	Le temps pour la récolte est trop court.	Ajoutez encore plus de taquets à la roue du temporisateur (suivez les instructions de l'autocollant).
L'eau ne tombe pas de manière uniforme sur l'évaporateur.	Distributeur sale ou avec du calcaire.	Realizar el procedimiento de limpieza de cal. Exécutez le processus de nettoyage de calcaire. Enlevez et nettoyez le distributeur (tirez des deux clips sur les côtés du distributeur).
La machine démarre et s'arrête et ainsi de suite.	Le présostat de sécurité s'ouvre.	Nettoyez le condensateur d'air (derrière la grille frontale).
En cas d'autres problèmes appeler le service après-vente.		

MODÈLES MODULAIRES:

PROBLÈME	CAUSE PROBABLE	SOLUTION
Aucune des parties électriques fonctionne.	La machine n'est pas branchée.	Branchez la machine et vérifiez la prise du secteur.
	L'interrupteur arrière est en position OFF.	Mettez l'interrupteur arrière en position ON.
	Le commutateur de travail frontal est dans la position 0.	Mettez le commutateur dans la position de "glace" (position I).
Toutes les parties électriques fonctionnent sauf le compresseur (l'eau ne se refroidit pas).	Le commutateur de travail frontal est dans la position de "nettoyage" (position II).	Mettez le commutateur dans la position de "glace" (position I).
Il n'y a pas d'eau dans le réservoir.	Il ne rentre pas d'eau.	Vérifiez l'entrée d'eau.
	Le filtre de la valve d'entrée d'eau est bloqué	Vérifiez et nettoyez.
Il n'y a pas suffisamment d'eau pour finir le cycle.	Le détecteur de niveau d'eau est trop bas.	Augmentez le détecteur de niveau d'eau (barre en acier inoxydable à côté de la bombe).
	La valve de purge est défectueuse (vérifiez qu'il n'y ait pas de fuites pendant le drainage lors de la phase de froid)	Démontez et nettoyez.
	Fuites d'éclaboussures du rideau.	Vérifiez la position du rideau.
L'eau dépasse le réservoir.	Le détecteur de niveau est trop haut ou avec du calcaire.	Régalez et nettoyez.
Il n'y a pas de bloc de glace ou il est trop épais.	Le détecteur d'épaisseur de la glace est désajusté	Régalez et nettoyez.
Il est difficile d'extraire le bloc de glace pendant la phase de récolte.	La machine est incorrectement nivelée (inclinée vers l'arrière).	Nivelez; rabaissez la partie frontale.
L'eau ne tombe pas de manière uniforme sur l'évaporateur.	Distributeur sale ou avec du calcaire.	Exécutez le processus de nettoyage du calcaire. Enlevez et nettoyez le distributeur (tirez des deux clips sur les côtés du distributeur).
Production insuffisante.	Condensateur sale.	Nettoyez (vérifiez aussi la température de l'air et de l'eau)
La machine s'arrête après avoir marché un peu.	Le présostat de sécurité s'ouvre.	Nettoyez le condensateur d'air (sur la partie arrière).
En cas d'autres problèmes veuillez appeler le service après-vente.		

COD. 33085U_26/A/21

