



### Direct Draw Coolers

Model	Product ID	Size
KDD3X	955407	69 1/8"

#### STANDARD FEATURES

- Standard, cabinet exterior construction includes attractive, wear resistant vinyl on steel in black finish with Stainless Steel top.
- Heavy-duty casters with brakes.
- Refrigeration system uses R290 refrigerant.
- Self-closing doors with locks.
- Dual angled faucets.
- Units wired at factory and ready for connection to a 115/60 phase.
- Side mount units with a 33°F to 38°F temperature range.
- NSF-7 approved for packaged and bottled product.
- Standard LED light inside of the cabinet.

#### WARRANTY

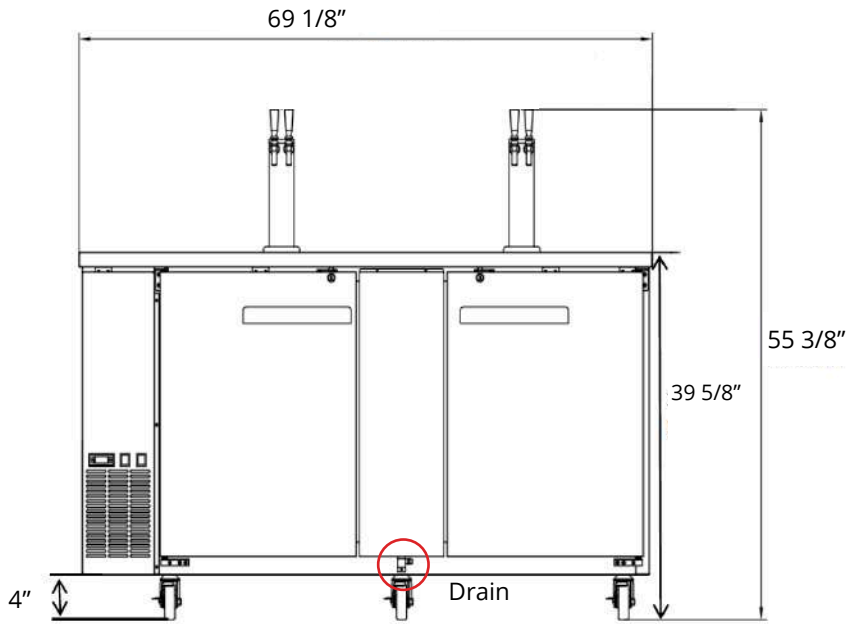
Kintera refrigeration equipment is warranted to be free from defects in material and workmanship under normal use and service for a period of 2 years for parts and labor. The compressor carries an additional 3 year warranty for the part only.



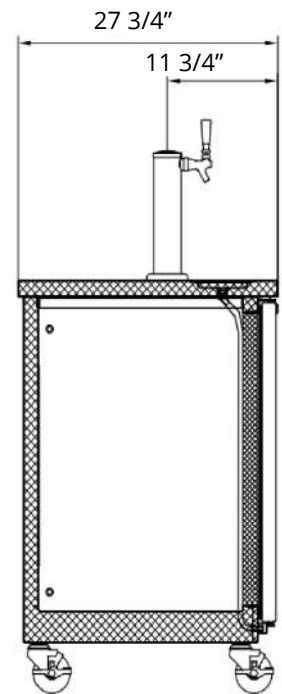
**KDD3X**



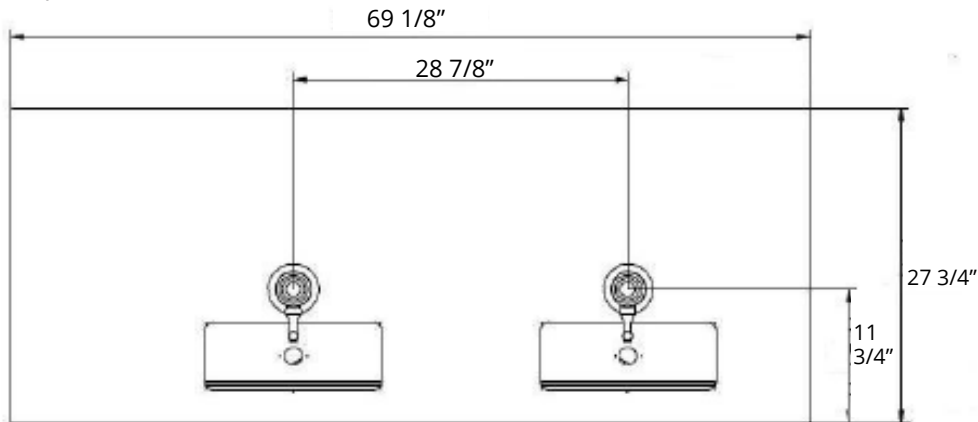
Front View




Side View



Top View



Model	Product ID	Doors	Shelves	Faucets	Capacity (cu ft)	Cabinet Dimensions			HP	Voltage	Amps	NEMA Plug
						L	D	H				
KDD3X	955407	2	4	2	23.3	69 1/8"	27 3/4"	55 3/8"	1/3+	115/60Hz	3.6	 5-15P

\* Plug Type Varies by Country.