



24" Back Bar Cooler

Model	Product ID	Size
KBB2472GX	955400	72 3/4"

STANDARD FEATURES

- Standard, cabinet exterior construction includes attractive, wear resistant vinyl on steel in black finish. Stainless exterior options available. Standard interior construction utilizes stainless steel walls, floor and ceiling.
- Refrigeration system uses R290 refrigerant, which is CFC and HCFC-free for compliance with environmental safety concerns.
- Units wired at factory and ready for connection to a 115/60/1 phase, 15 Amp dedicated outlet.
- Oversized, factory balanced, refrigeration system holds 33°F to 38°F.
- NSF-7 approved for packaged and bottled product.
- Standard LED light inside of the cabinet.
- Easily accessible condenser coil for cleaning, and easy service access.
- Tempered glass.



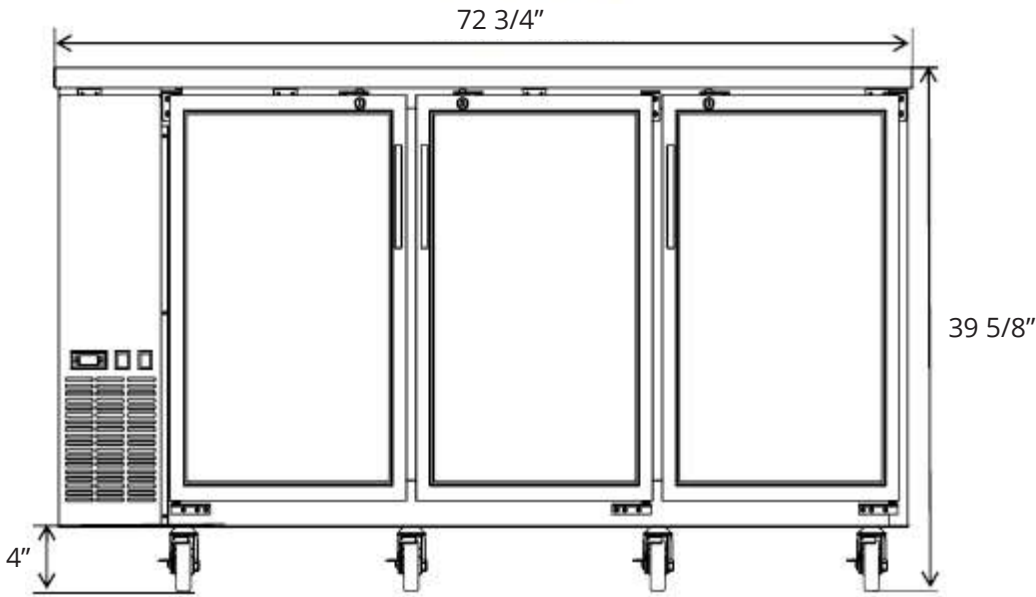
KBB2472GX

WARRANTY

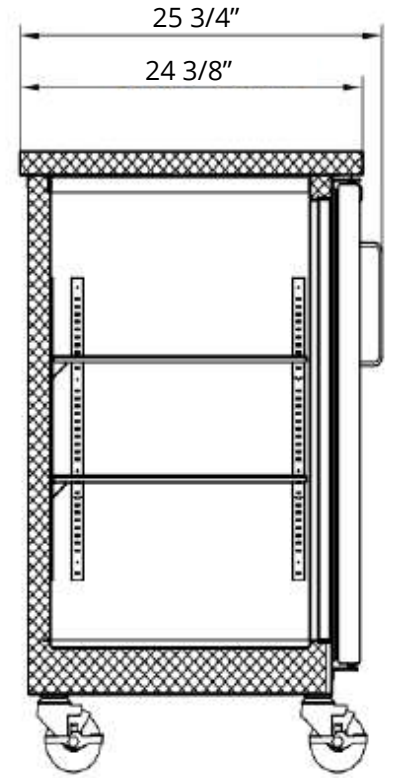
Kintera refrigeration equipment is warranted to be free from defects in material and workmanship under normal use and service for a period of 2 years for parts and labor. The compressor carries an additional 3 year warranty for the part only.




Front View



Side View



Model	Product ID	Doors	Capacity (cu ft)	Shelves	Cabinet Dimensions			HP	Voltage	Amps	NEMA Plug
					W	D	H				
KBB2472GX	955400	3	19.6	2	72 3/4"	24 3/8"	39 5/8"	1/3+	115/60Hz 220/50Hz	3.96	

* Plug Type Varies by Country.