

72" Chef Base

Model	Product ID	Size
KCB72X	955404	72 3/8" Unit

STANDARD FEATURES

- Stainless steel interior and exterior retains attractive finish longer. Matching aluminum finished back
- Rounded corner design inside of the cabinet makes it easy to clean the inside storage room
- Cabinet top is one piece, heavy duty reinforced stainless steel. Drip resistant "V" edge protects against spills.
- R290 Refrigeration system holds 33°F to 41°F (0.5°C to 5°C) for the best in food preservation.
- Electronic control system: Adjustable temperature set point and defrost frequency
- Standard drawer features: Heavy-duty pull handle Each drawer with tracks and rollers, this makes drawer easily open and close with enduring quality
- Each drawer fits two (2) 12"L x 20"W x 4"D (305 mm x 508mm x 102 mm) full size food pans.
- Standard heavy-duty casters make it easy to bear the heavy cooking equipments, move and clean underneath
- Easily accessible condenser coil for cleaning, and easy service access
- Estimated Countertop weight limit: 600 KGS / 1320 lbs



KCB72X

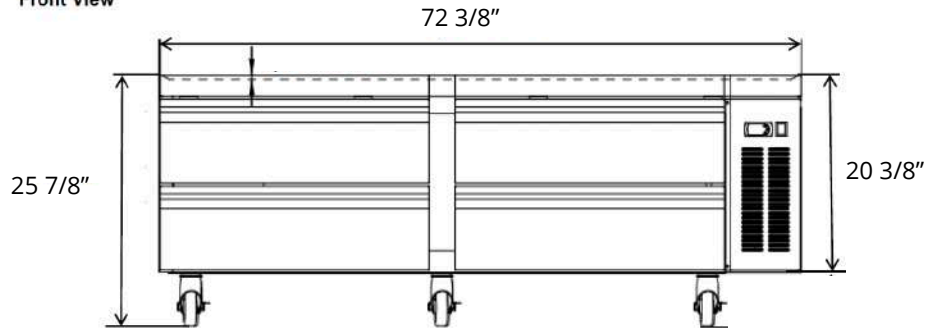
WARRANTY

Kintera refrigeration equipment is warranted to be free from defects in material and workmanship under normal use and service for a period of 2 years for parts and labor. The compressor carries an additional 3 year warranty for the part only.

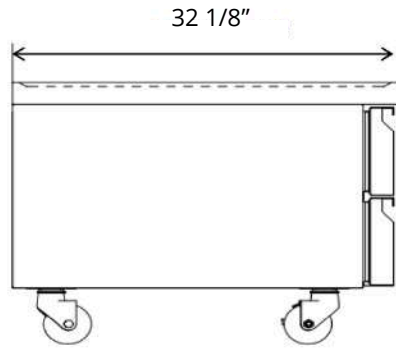
Items	Description	Items	Description
Front, top & sides	Stainless steel	Temperature control	Solid state thermostat w/ digital display
Doors	Stainless steel	Approvals	ETL, NSF
External back	Aluminum	Refrigerating system	Capillary tube
Cabinet interior	ABS	Refrigerant	R290
Interior floor	300 Series stainless steel	Temperature range	33°F to 41°F
Insulation	Polyurethane (CFC free)	Evaporator	Powder coated aluminum/copper
Shelves	Stainless Steel Drawer	Condensing unit	Rear mounted



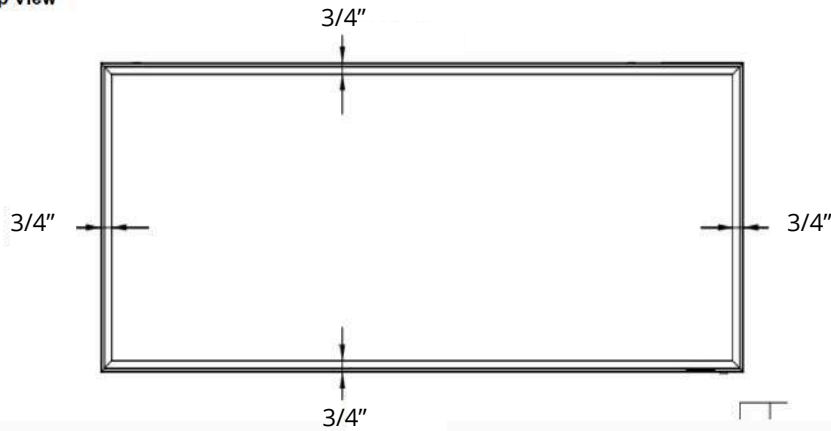
Front View



Side View



Top View



Model	Product ID	Drawers	Cabinet Dimensions			HP	Voltage	Amps	NEMA Plug
			L	D	H				
KCB72X	955404	4	72 3/8"	32 1/8"	25 7/8"	1/3+	115/60/1	6.4	