



**John
BOOS**
Since 1887

ITEM #: _____ QTY: _____
 MODEL #: _____
 PROJECT NAME: _____

3601 S. Banker St. Effingham, IL 62401 • P.O. BOX 609 • Ph: (888) 431-2667 • Fax: (800) 433-2667

"FBLGR5" STAINLESS STEEL TOP WORK TABLES



18GA TOP W/5" REAR RISER AND GALV LEGS AND ADJUSTABLE UNDERSHELF
BUDGET E-SERIES

FEATURES:

- 18 GAUGE STAINLESS STEEL TOP
W/5" REAR RISER & TURNDOWN
- TYPE 304 STAINLESS STEEL MECHANICALLY POLISHED WITH SATIN FINISH
- TOP IS SOUND DEADENED
- REINFORCED WITH 1"X2" CHANNEL RUNNING ENTIRE LENGTH OF TABLE
- 1-1/2" STALLION EDGE ON FRONT SIDE EDGES
90° BEND DOWN FOR TABLE LINE-UP
- GALVANIZED BASE AND ADJUSTABLE UNDERSHELF
- ADJUSTABLE BULLET FEET
- SHIPPED KNOCKED-DOWN, EASY-TO-ASSEMBLE
- NSF CERTIFIED



FBLGR54830

CONSTRUCTION:

- TOP: STAINLESS STEEL TOPS ARE TIG WELDED, EXPOSED WELDS ARE POLISHED TO MATCH ADJACENT SURFACE.

MATERIAL:

- TOP: 18 GAUGE STAINLESS STEEL TYPE 304 STAINLESS STEEL MECHANICALLY POLISHED WITH SATIN FINISH
- SHELF: 18 GAUGE GALVANIZED STEEL,
- LEGS: 1-5/8" ROUND O.D. 16 GAUGE TUBULAR GALVANIZE STEEL
- GUSSETS: GALVANIZED STEEL
- FEET: 1" ADJUSTABLE PLASTIC BULLET FEET

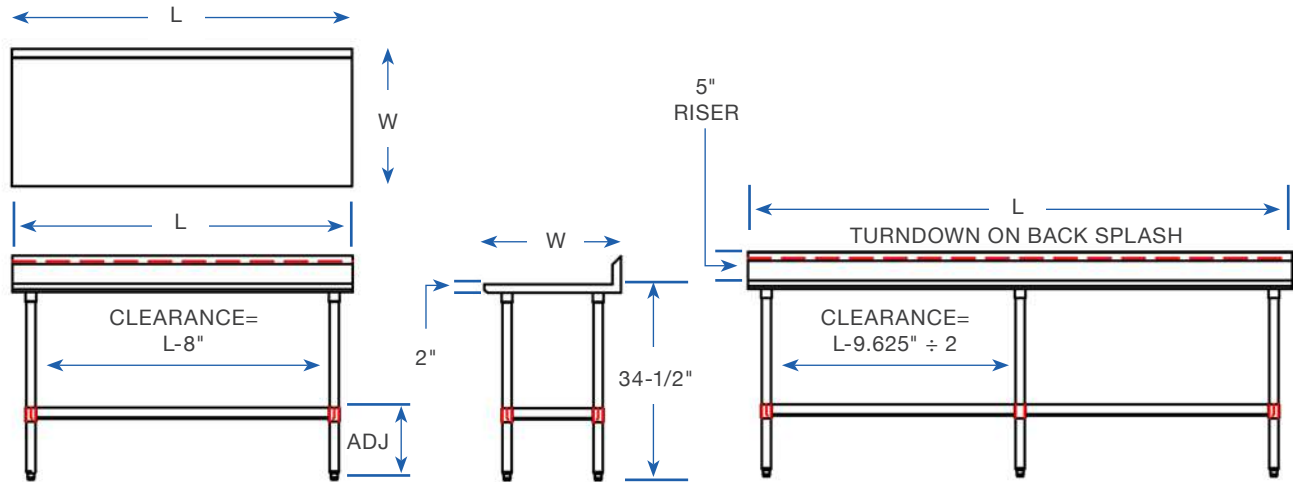


ADJUSTABLE SHELF

18 GAUGE TOP W/ ADJUSTABLE UNDERSHELF

24" WIDE	QTY	30" WIDE	QTY
FBLGR52424		-	
FBLGR53024		FBLGR53030	
FBLGR53624		FBLGR53630	
FBLGR54824		FBLGR54830	
FBLGR56024		FBLGR56030	
FBLGR57224		FBLGR57230	
FBLGR58424		FBLGR58430	
FBLGR59624		FBLGR59630	

DETAILED SPECIFICATIONS



- UNITS 7 FT. AND LARGER ARE FURNISHED WITH SIX LEGS.
- FINISHED SIZE OF UNDERSHELF.
SHELF LENGTH = LENGTH MINUS 4.875"
SHELF WIDTH = WIDTH MINUS 4.25"

18 GAUGE TOP W/ ADJUSTABLE UNDERSHELF

LENGTH	24" WIDE	WT. (LBS)	30" WIDE	WT. (LBS)
24"	FBLGR52424	40	-	-
30"	FBLGR53024	45	FBLGR53030	50
36"	FBLGR53624	50	FBLGR53630	56
48"	FBLGR54824	61	FBLGR54830	69
60"	FBLGR56024	71	FBLGR56030	82
72"	FBLGR57224	83	FBLGR57230	94
84"	FBLGR58424	103	FBLGR58424	126
96"	FBLGR59624	111	FBLGR59624	128

SOME UNITS SHIP UNASSEMBLED FOR REDUCED SHIPPING COST. ALL DIMENSIONS ARE TYPICAL. TOLERANCE +/- .500"
John Boos & Co. is constantly engaged in a program of improving products and therefore reserves the right to change specifications without prior notice.

