


**B55**

## Features

- Application storage capacity from 242 lbs (110 kg) to 854 lbs (388 kg).
- Multiple bin tops provide an easy solution for mounting ice makers on different sized bins.
- Polyethylene bin liner is insulated with foam for maximum ice preservation – 1.5" to 3" (38 mm to 76 mm).
- 31" deep for use where space is at a premium.
- Built-in ice scoop holders on certain models.
- Sturdy leg design – 6" (152 mm) adjustable NSF approved legs – standard.
- Durable aluminum finish.

## Bin Accessories

| Ice-O-Matic Part Number | Description                    |
|-------------------------|--------------------------------|
| 1011517-22              | Plastic ice shovel             |
| 1011517-23              | Hanging bracket for ice shovel |
| 1011517-24              | 46.5" Plastic paddle           |
| 1051517-29              | Hanging bracket for ice paddle |
| 9051127-01              | 82 Ounce ice scoop             |

## Single Ice Machine Configurations

Ice-O-Matic offers a full line of bins for most applications. From low profile slope-front bins to high capacity space-saving uprights, we have a bin to meet any need. The following table will help you create the system you need in a safe and cost effective manner.

| Bin Model No. | Style       | Application Bin Storage lbs (kgs) | Approximate Shipping Weight lbs (kgs) | CIM Series Cube Makers | ICE Series Cube Makers |                   |                     | Nugget Ice Makers | Flake Ice Machine |
|---------------|-------------|-----------------------------------|---------------------------------------|------------------------|------------------------|-------------------|---------------------|-------------------|-------------------|
|               |             |                                   |                                       | 30" (762 mm) wide      | 22" (559 mm) wide      | 30" (762 mm) wide | 48" (1,219 mm) wide | 21" (533 mm) wide | 21" (533 mm) wide |
| <b>B25PP*</b> | Slope Front | 242 (110)                         | 74 (34)                               | △△                     | KBT19                  | △△                | N/A                 | KBT19             | KBT19             |
| <b>B40PS</b>  | Slope Front | 344 (156)                         | 103 (47)                              | △△                     | KBT19                  | △△                | N/A                 | KBT19             | KBT19             |
| <b>B42PS</b>  | Slope Front | 351 (160)                         | 99 (45)                               | N/A                    | △△                     | N/A               | N/A                 | KBT24             | KBT24             |
| <b>B55PS</b>  | Slope Front | 510 (232)                         | 125 (57)                              | △△                     | KBT19                  | △△                | N/A                 | KBT19             | KBT19             |
| <b>B110PS</b> | Slope Front | 854 (388)                         | 163 (74)                              | BPF-1***               | N/A                    | BPF-1***          | △△                  | KBT23             | KBT23             |

△△ Kit not required. △△\*\* Ice clumping issues may arise. \* Rotocast finish N/A Not Applicable

\*\* ICE1506 is compatible with B700-30, B1000-48, B1300-48, B1325-60 & B1600-60. \*\*\* BPF-1 used with B110 ONLY. If you have an older model B100 bin use the KBT5.

## Side-by-Side Ice Machine Configurations

There are times when it is desirable to install 2 ice machines side by side on a bin. The reasons may range from gaining maximum output to creating redundancy. Ice-O-Matic offers an array of kits and bins with custom order tops for just such applications. The following table will help you create the system you need in a safe and cost effective manner.

| Bin Model No. | Style       | Application Bin Storage lbs (kgs) | Approximate Shipping Weight lbs (kgs) | CIM Series Cube Makers | ICE Series Cube Makers |                       |                         | Nugget Ice Makers     | Flake Ice Machine     |
|---------------|-------------|-----------------------------------|---------------------------------------|------------------------|------------------------|-----------------------|-------------------------|-----------------------|-----------------------|
|               |             |                                   |                                       | 30" (762 mm) wide      | Two 22" (559 mm) wide  | Two 30" (762 mm) wide | Two 48" (1,219 mm) wide | Two 21" (533 mm) wide | Two 21" (533 mm) wide |
| <b>B25PP*</b> | Slope Front | 242 (110)                         | 74 (34)                               | N/A                    | N/A                    | N/A                   | N/A                     | N/A                   | N/A                   |
| <b>B40PS</b>  | Slope Front | 344 (156)                         | 103 (47)                              | N/A                    | N/A                    | N/A                   | N/A                     | N/A                   | N/A                   |
| <b>B42PS</b>  | Slope Front | 351 (160)                         | 99 (45)                               | N/A                    | N/A                    | N/A                   | N/A                     | N/A                   | N/A                   |
| <b>B55PS</b>  | Slope Front | 510 (232)                         | 125 (57)                              | N/A                    | N/A                    | N/A                   | N/A                     | N/A                   | N/A                   |
| <b>B110PS</b> | Slope Front | 854 (388)                         | 163 (74)                              | N/A                    | N/A                    | N/A                   | N/A                     | KBT22                 | KBT22                 |

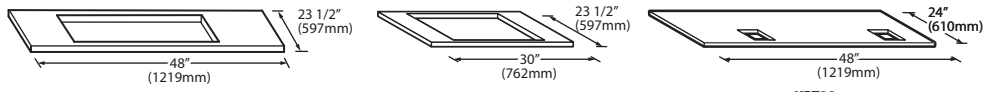
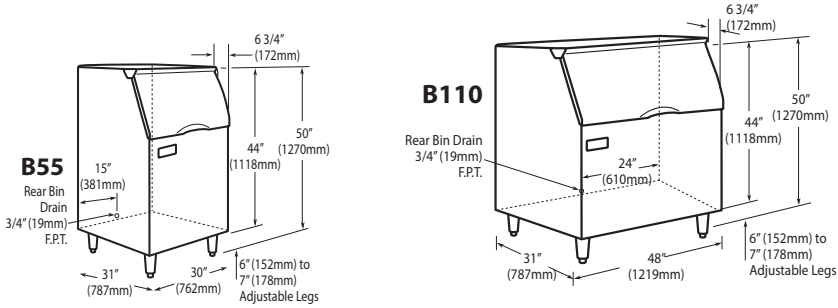
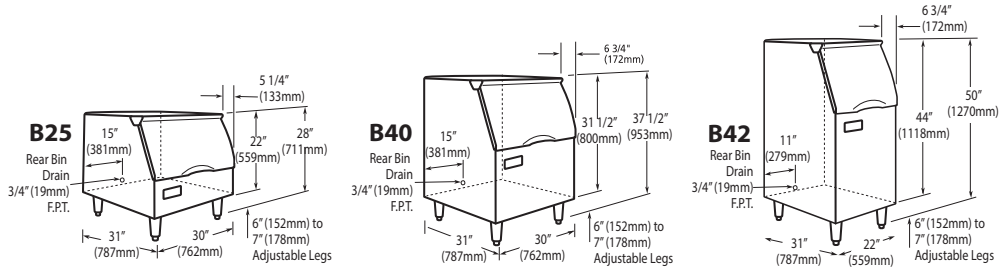
○ Must use remote or water cooled model only. △△ Kit not required. \* Rotocast finish N/A Not Applicable

○\* Must use remote or water cooled model only; ice clumping issues may arise. △△\*\* Ice clumping issues may arise.



SLOPE FRONT STORAGE BINS

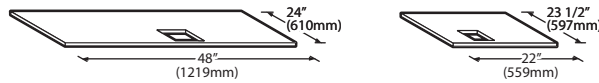
Dimensions



**KBT5**  
Bin Top for 30" (762 mm) ICE series cuber including the ICE1506 family on a B100 bin

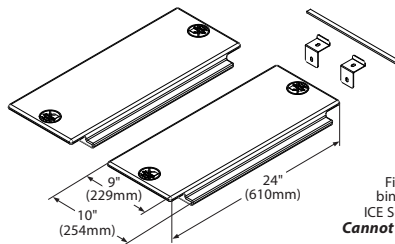
**KBT19**  
Bin Top for 30" (762mm) bins with 22" (559mm) ICE Series Cube Ice Makers GEM Series Ice Makers & MFI Series Ice Makers

**KBT22**  
Bin Top for 48" (1219mm) bins with (2) 21" (533mm) wide GEM Series Ice Makers & MFI Series Ice Makers



**KBT23**  
Bin Top for 48" (1219mm) bins with (1) 21" (533mm) wide GEM Series Ice Makers & MFI Series Ice Makers

**KBT24**  
Bin Top for 22" (559mm) bins with (1) 21" (533mm) wide GEM Series Ice Maker



**BPF-1**  
Filler Panel for B110 bins with 30" (762mm) ICE Series Cube Ice Makers  
**Cannot be used with the B100**

NOTES:

Approx. Shipping Weight lbs (kg): B110 191 (87 kg) • B55 170 (77 kb) • B25 95 (43 kg) • B40 135 (61 kg) • B42 135 (61 kg)