

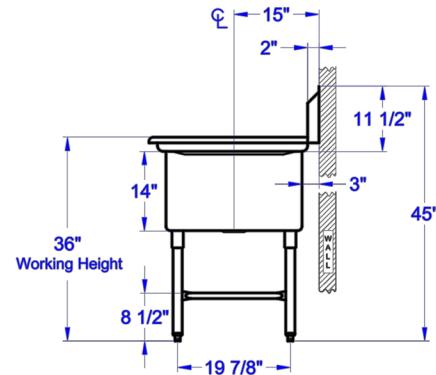
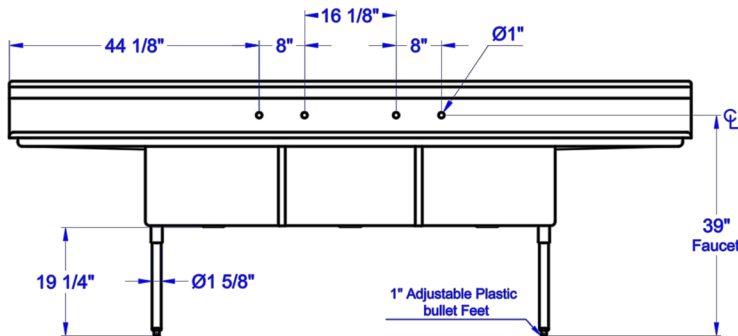
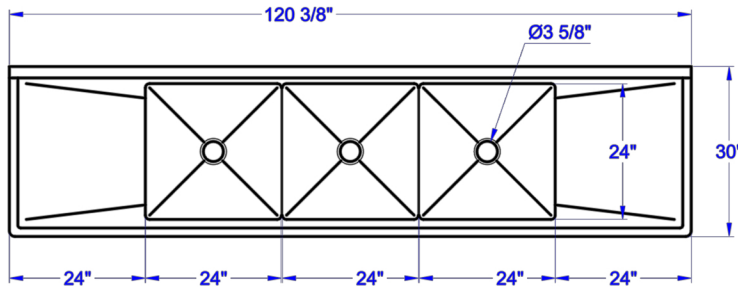
GSW[®]



SANITATION LISTED
3176427
Conforms to **NSF**
STD 2 & STD 4

SHH24243D

Economy Three-Tub Sink w/ 2 Drain Boards



Visit our website at
www.GSW-USA.com

4177 Rowland Ave., #8, El Monte, CA 91731
Tel.: (800) 897-5999, (626) 291-5599 Fax: (626) 286-0133
E-mail: sales@gsw-usa.com

