



WAFFLE BAKER

CONCEPT

ELECTRIC WAFFLE BAKER

*Heavy duty waffle bakers create evenly baked, great tasting, crispy golden-brown waffle
Watch your waffles raise your profits all day long*

- Fine grain cast iron plates for baking to perfection
- Heavy duty top plate assures even rising without clips, floating hinges or turning
- Special design of top and bottom plate outer rims minimizes batter overflow
- Waffle patterns: Brussels, Liege, Round, Cone
- Waffle-on-a-stick patterns: Silo, Cypress
- Powerful heating elements for fast preheat and recovery are thermostatically controlled up to 570°F
- Each heating zone is independently controlled with lighted on/off switch, pilot and temperature indicator lights
- Stainless steel base for lasting service
- Wraparound removable stainless steel drip tray for easy cleaning
- Ideal for breakfast, snacks and dessert or walk around foods



Brussels (shown)

WAFFLES-ON-A-STICK

CYPRESS



SILO



SIERRA

GES/1 - 120 V

GES - 208/240 V



Cone (shown)

Options: 5-min timer with bell signal



Liege (shown)

TWIN PEAKS

GED

208/240 V



Options:
two (2) 5-min timers
with bell signal

Round Belgian (shown)

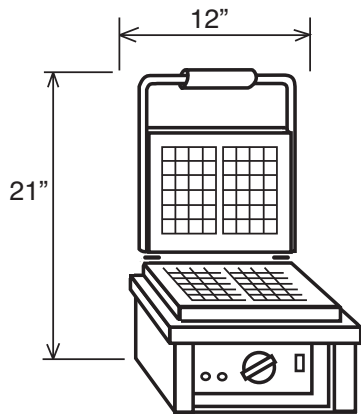


100 NIANTIC AVENUE; SUITE 104 PROVIDENCE, RI 02907
TEL: (401)273-3300 FAX: (401)273-3328 E-mail: sales@equipex.com
www.equipex.com

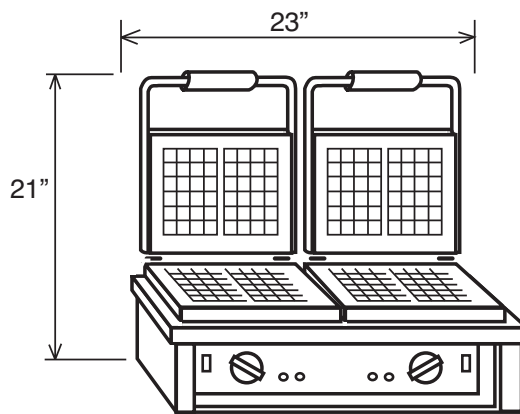




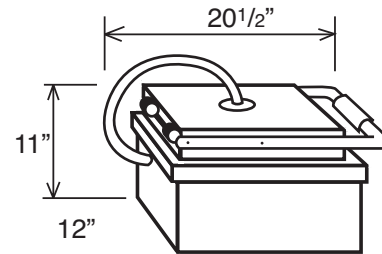
ELECTRIC WAFFLE BAKERS



GES (single)



GED (double)



INSTALLATION CLEARANCE: 2" EACH SIDE

PLATE PATTERNS AVAILABLE

(please, specify when ordering)

GES (Brussels)	GES (Liege)	GES (Round)	GES (Cone)	GES (Silo)	GES (Cypress)

SPECIFICATIONS

MODEL	DESCRIPTION	ELECTRICAL	DIMENSIONS	SHIPPING WEIGHT	NEMA PLUG
GES	Single	120V, 1.75KW, 14 Amps 208/240V, 1PH, 1.6KW, 7/8Amps	12"W x 20 1/2"D x 21"H	50 lbs	5-15 P 6-15 P
GED	Double	208/240V, 1PH, 3.3KW 12/16Amps	23"W x 20 1/2"D x 21"H	145 lbs	6-20 P

BAKING CAPACITY (approximately 2-3 minute cycle)

model \ type	Brussels	Liege	Round	Cone	Silo	Cypress
Waffle size	7 1/2" x 4 1/4" x 1 1/4"	6 1/4" x 4" x 1 1/4"	7" diameter x 1 1/4"	9 3/4" x 9 3/4"	1 1/2" x 6"	8 3/4" x 2 1/4" x 1"
SINGLE	2	2	1	1	4	4
DOUBLE	4	4	2	2	8	8

WARRANTY: Limited one-year parts and labor



100 NIANTIC AVENUE; SUITE 104 PROVIDENCE, RI 02907

TEL: (401)273-3300 FAX: (401)273-3328 E-mail: sales@equipex.com

www.equipex.com