

ITEM NO. _____
 PROJECT _____
 LOCATION _____
 DATE _____ QTY. _____

DC SERIES

Conventional Ice Cream Storage/Dipping Cabinets

MODELS

- DC-2S DC-8D
 DC-4S DC-10D
 DC-4D DC-12D
 DC-6D



DC-2S

DC-8D



FEATURES

CONSTRUCTION

- Seamless stainless steel top
- 24 gauge painted galvanized steel cabinet
- Galvanized steel interior
- Equipped with leveling legs to correct for unlevel flooring situations
- Floor drain with garden hose fitting
- Galvanized steel inner liner
- Anti-condensate heaters under stainless top cap
- 2-1/4" foamed-in-place "zero ODP" urethane insulation

LIDS

- Stainless steel
- Hinged with handles
- Heavy-duty replaceable gasket

REFRIGERATION

- Refrigerant: R290
- Self-contained, factory tested refrigeration system
- Cold wall evaporator
- Force draft hermetic condensing unit
- Temperature range: 10° to -10°F (-12° to -23°C)
- R-factor (insulation efficiency rating): 19.40

WARRANTY

- Standard limited two year parts and labor
- Additional three year coverage on compressor part

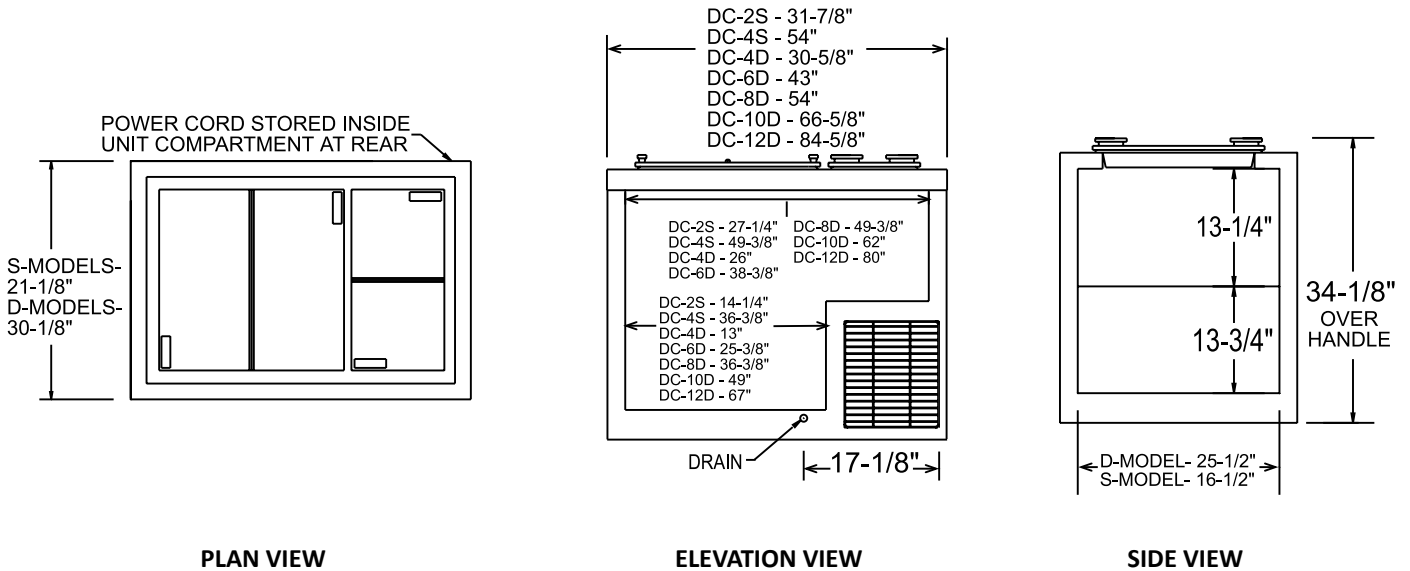
OPTIONS

- Add suffix "SE" for all-stainless exterior
- Lid locks (less lock)
- Legs
- Casters
- Additional lids
- Load level shelves
- Dipper well

TECHNICAL SPECIFICATIONS

Models	DC-2S	DC-4D	DC-4S	DC-6D	DC-8D	DC-10D	DC-12D
Crated Weight (lbs) (kg)	220 (100)	220 (99)	280 (125)	275 (124)	365 (164)	430 (194)	490 (221)
Crated Height (in) (mm)	40 (1016)	40 (1016)	40 (1016)	45 (1143)	45 (1143)	50 (1270)	45 (1143)
Crated Width (in) (mm)	36 (914)	45 (1143)	60 (1524)	60 (1524)	70 (1778)	80 (2032)	104 (2642)
Crated Depth (in) (mm)	24 (610)	40 (1016)	24 (610)	40 (1016)	40 (1016)	40 (1016)	40 (1016)
Interior Height (in) (mm)	27 (686)	27 (686)	27 (686)	27 (686)	27 (686)	27 (686)	27 (686)
Interior Display Width (in) (mm)	27-1/4 (692)	26 (660)	49-3/8 (1254)	38-3/8 (975)	49-3/8 (1254)	62 (1575)	80 (2032)
Interior Storage Width (in) (mm)	14-1/4 (362)	13 (330)	36-3/8 (924)	25-3/8 (645)	36-3/8 (924)	49 (1245)	67 (1702)
Can Capacity Display*	3	5	6	8	11	14	18
Can Capacity Storage*	1	2	4	5	8	11	15
Interior Depth (in) (mm)	16-1/2 (419)	25-1/2 (648)	16-1/2 (419)	25-1/2 (648)	25-1/2 (648)	25-1/2 (648)	25-1/2 (648)
Overall Height (in) (mm)	34-1/8 (867)	34-1/8 (867)	34-1/8 (867)	34-1/8 (867)	34-1/8 (867)	34-1/8 (867)	34-1/8 (867)
Overall Width (in) (mm)	31-7/8 (800)	30-5/8 (778)	54 (1372)	43 (1092)	54 (1372)	66-5/8 (1692)	84-5/8 (2149)
Overall Depth (in) (mm)	21-1/8 (537)	30-1/8 (765)	21-1/8 (537)	30-1/8 (765)	30-1/8 (765)	30-1/8 (765)	30-1/8 (765)
Gross Cubage (CuFt) (L)	5.2 (147)	7.6 (215)	11.0 (28)	12.5 (31)	17.3 (43)	22.0 (55)	29.1 (73)
Condensing Unit Size	1/4 HP	1/4 HP	1/4 HP	1/4 HP	1/3 HP	1/3 HP	1/3 HP
Refrigerant	R290	R290	R290	R290	R290	R290	R290
Electrical Characteristics	115/60/1	115/60/1	115/60/1	115/60/1	115/60/1	115/60/1	115/60/1
NEMA Plug Configuration	5-15P	5-15P	5-15P	5-15P	5-15P	5-15P	5-15P
Total Amp Draw	2.1	2.7	3.2	3.2	3.6	5.4	5.9

*Can capacities in 9-1/2" diameter, 3 gallon cans



LISTINGS



HOOKUP

Via plug in, 9 foot long, flexible 3 wire 14/3 cord with molded plug. Ten amp 115V service is recommended.



BID SPECIFICATIONS

Item no. DC- _____
Provide _____ ()
Conventional Ice Cream Storage/
Dipping Cabinet(s), Master-Bilt model
DC- _____.
Cabinet will feature painted finish
on exterior with galvanized steel
interior. Cabinet to have flip lids,
seamless stainless steel top, 24 gauge

steel walls, galvanized steel inner
liner with cold wall evaporator, anti-
condensate heaters under stainless
steel top, 2-1/4" foamed-in-place
"zero ODP" urethane insulation and
baked-on polyester enamel finish.
Standard leveling legs provided to
correct for unlevel flooring situations.
The refrigeration system will

be self-contained and use R290
refrigerant. The temperature range
will be 10° to -10°F (-12° to -23°C).
Cabinet to have standard limited
two year parts and labor with
additional three year coverage on
compressor part.
Cabinet to be UL, C-UL and NSF
listed.

**NOTE: Cabinet designed for optimum performance in air-conditioned area at 75°F ambient and 55% relative humidity.
All specifications within this publication subject to change without notice.**