



# Installation and Maintenance Instructions

## Limited One Year Warranty

T&S warrants to the original purchaser (other than for purposes of resale) that such product is free from defects in material and workmanship for a period of one (1) year from the date of purchase. During this one-year warranty period, if the product is found to be defective, T&S shall, at its options, repair and/or replace it. To obtain warranty service, products must be returned to...

T&S Brass and Bronze Works, Inc.  
Attn: Warranty Repair Department  
2 Saddleback Cove  
Travelers Rest, SC 29690

Shipping, freight, insurance, and other transportation charges of the product to T&S and the return of repaired or replaced product to the purchaser are the responsibility of the purchaser. Repair and/or replacement shall be made within a reasonable time after receipt by T&S of the returned product. This warranty does not cover items which have received secondary finishing or have been altered or modified after purchase, or for defects caused by physical abuse to or misuse of the product, or shipment of the products.

Any express warranty not provided herein, and any remedy for Breach of Contract which might arise, is hereby excluded and disclaimed. Any implied warranties of merchantability or fitness for a particular purpose are limited to one year in duration. Under no circumstances shall T&S be liable for loss of use or any special consequential costs, expenses or damages.

Some states do not allow limitations on how long and implied warranty lasts or the exclusion or limitation of incidental or consequential damages, so the above limitations or exclusions may not apply to you. Specific rights under this warranty and other rights vary from state to state.

P/N: 098-003153-45 Rev.3  
Date: 06-11-03  
Drawn: TEH  
Checked: DLT 06-11-03  
Approved: MVW 06-11-03



## Parts Kit (Eterna Cartridge) B-6K

**Deutsch: Installations- und  
Wartungsanleitungen**

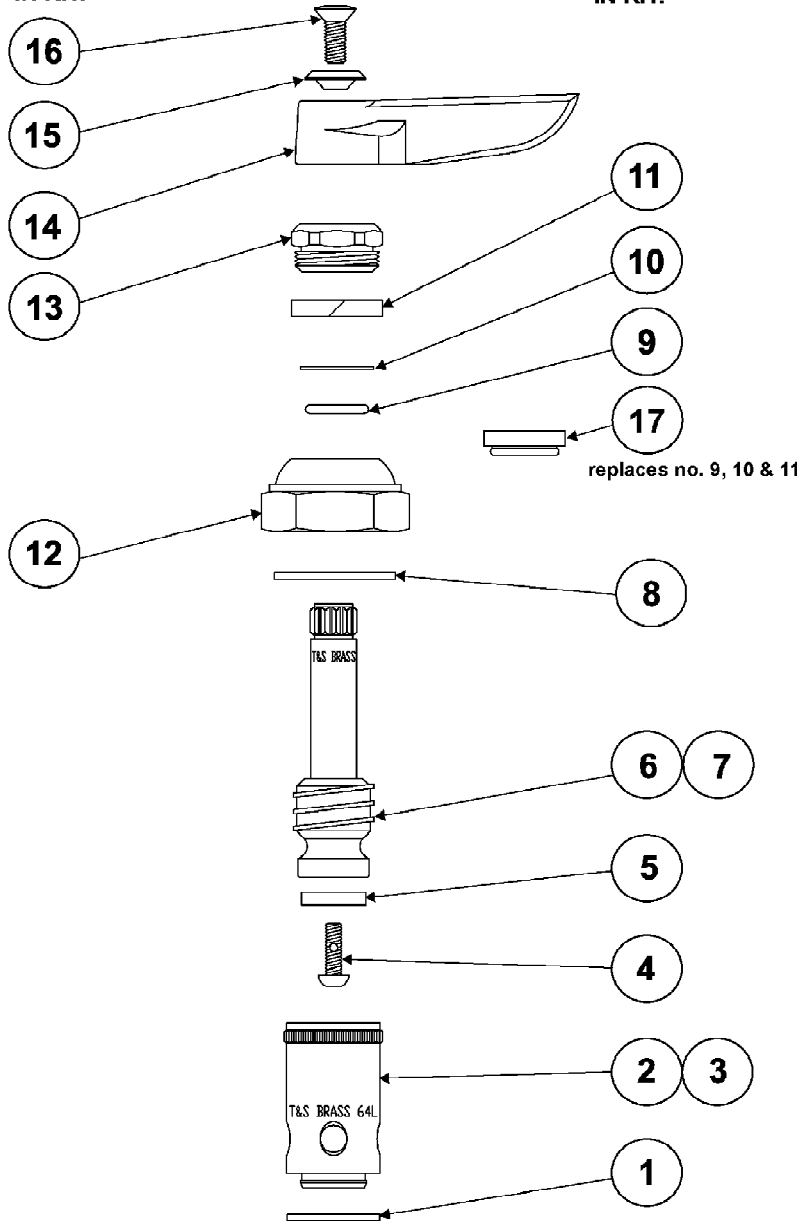
**Español: la Instalación y las  
Instrucciones de  
Mantenimiento**

**Français: les Instructions  
d'Installation et  
d'Entretien**

# Exploded View

**PARTS NOT INCLUDED IN KIT:**

**PARTS INCLUDED IN KIT:**



## Part Number Guide

### ***Repair Parts Kit***

1	Gasket, Bottom Insert	001022-45
2	Insert, Eterna RH	000788-20
3	Insert, Eterna LH	000789-20
4	Screw, Seat Washer	000933-45
5	Washer, Seat	001092-45
6	Spindle, RH Insert	000811-25
7	Spindle, LH Insert	000812-25
8	Gasket, Top Insert	002601-45
9	O-Ring, Spindle	001063-45
10	Washer, Eterna Bonnet	009745-45
11	Packing, 'Eterna Spindle'	001098-45
17	One-Piece Packing Seal	013430-45

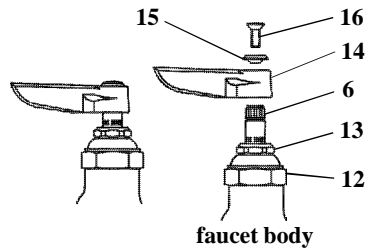
### ***Parts Not Included in Kit***

12	Bonnet, Eterna	009744-45
13	Nut, Packing	000718-25
14	Handle, Lever Hot	001637-45
	Handle, Lever Cold	001636-45
15	Button, Index Hot (Red)	001661-45
	Button, Index Cold (Blue)	001660-45
16	Screw, Handle	000922-45

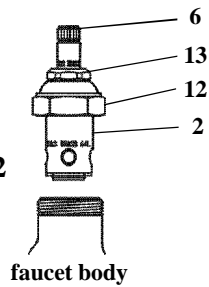
# General Instructions

## To replace worn parts:

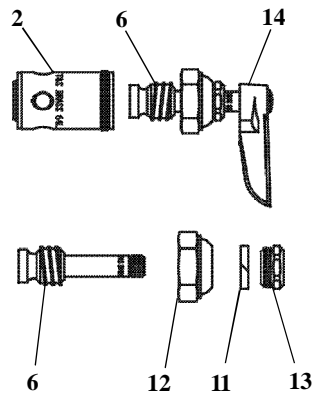
1. Unscrew and remove no.16, no.15 and no.14 from no.6.



2. Unscrew no.13 from no.12, unscrew and remove no.12 from faucet body.



3. Using no.14 as a wrench, unscrew no.6 from no.2.



4. Pull no.12, no.11 and no.13 from no.6, unscrew no.13 and remove from no.12.

5. Replace worn parts with new parts from **B-6-K** parts kit.

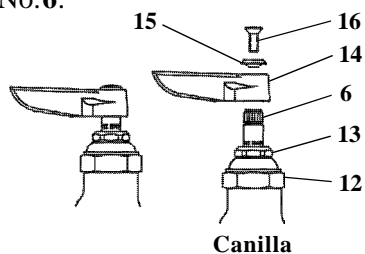
6. Reassemble parts in reverse order, making sure all new repair parts are in place.

*Note: This procedure is the same for both hot and cold side replacement.*

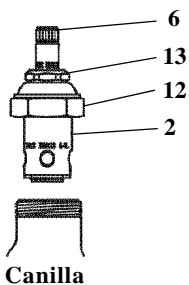
# Instrucciones Generales

## Para el reemplazo de partes desgastadas:

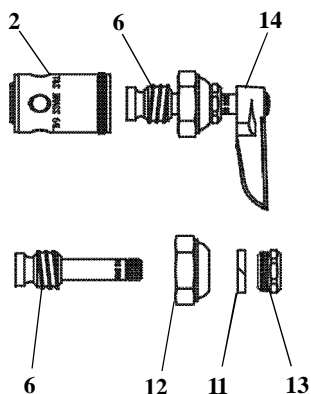
1. Destornille y remuévalas las partes No.16, No.15 y No.14 de la parte No.6.



2. Destornille la parte No.13 de la parte No.12, destornille y remuévala la parte No.12 de la canilla.



3. Usando la parte No.14 como una llave destornille la parte no.6 de la parte No.2.



4. Hale las partes No.12, No.11 y No.13 de la parte No.6, destornille la parte No.13 y remuévala de la parte No.12.

5. Reemplace las partes desgastadas con partes nuevas del estuche de partes **B-6-K**.

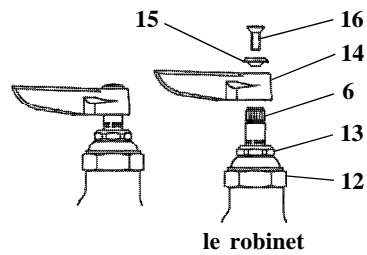
6. Arme de nuevo en orden contrario, asegurándose que todos los repuestos estén en su sitio.

*Nota: Este procedimiento de reemplazo es igual para ambos lados caliente y frío.*

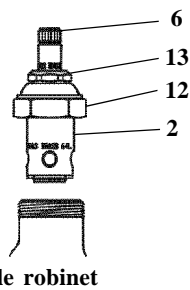
# Instructions Générales

## Pour remplacer les parties usées:

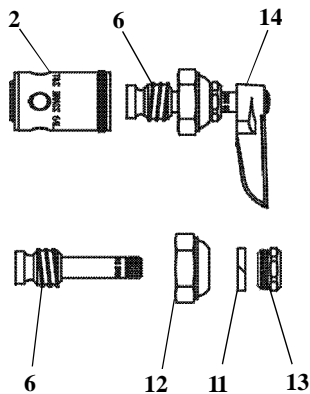
1. Dévisser et enlever N°.16, N°.15 et N°.14 de N°.6.



2. Dévisser N°.13 de N°.12, dévisser et enlever N°.12 du robinet.



3. En utilisant N°.14 comme une clef dévisser N°.6 de N°.2.



4. Enlever N°.12, N°.11 et N°.13 de N°.6, dévisser N°.13 et enlever de N°.12.

5. Remplacer les parties usées avec les nouvelles parties de la trousse à outils **B-6-K**.

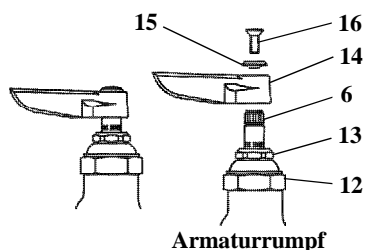
6. Réassembler les parties à l'ordre inverse, soyez certain que les nouvelles parties être à ses places.

*Noter: Ce processus être le même pour remplacer le côté chaud et froid.*

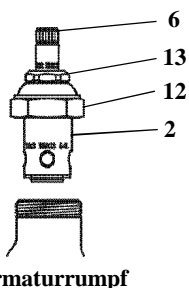
# Allgemeine Anleitungen

## Ersatz von abgenutzten Teilen:

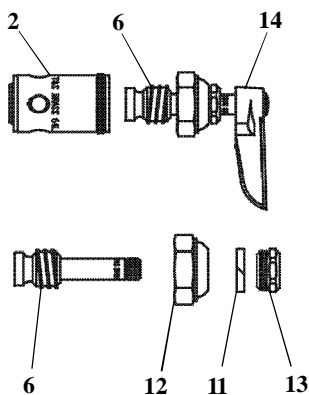
1. Nr. 16, 15 und 14 von Nr. 6 abschrauben und entfernen.



2. Nr. 13 von Nr. 12 abschrauben, Nr. 12 von dem Armaturrumpf abschrauben und entfernen.



3. Nr. 6 von Nr. 2 unter Verwendung von Nr. 14 als Schraubenschlüssel abschrauben.



4. Nr. 12, 11 und 13 von Nr. 6 abziehen, Nr. 13 lösen und von Nr. 12 entfernen.

5. Die abgenutzten Teile durch neue aus dem **B-6-K** Ersatzteilersatz ersetzen.

6. Die Teile in umgekehrter Reihenfolge wieder zusammensetzen und sicherstellen, daß alle neuen Ersatzteile ordnungsgemäß eingesetzt worden sind.

*Anmerkung: Dieses Verfahren ist für die Heiß- und Kaltwasserseite gleich.*

## RELATED T&S BRASS PRODUCT LINE



**B-20-K  
B-1100 Parts Kit**



**B-21-K  
Eterna Cartridge  
Replacement**

---

## T&S BRASS AND BRONZE WORKS, INC.

A firm commitment to application-engineered plumbing products

2 Saddleback Cove, P.O. Box 1088,  
Travelers Rest, SC 29690

Phone: (864) 834-4102  
Fax: (864) 834-3518

E-mail: [tsbrass@tsbrass.com](mailto:tsbrass@tsbrass.com)

T & S Brass-Europe  
'De Veenhoeve'  
Oude Nieuwveenseweg 84  
2441 CW Nieuwveen  
The Netherlands

