



# CONVECTION OVEN

## CONCEPT

### COUNTERTOP CONVECTION OVENS

*From pastries to entrees...Bakes fast and evenly, intensifies and seals in flavor*

- Stainless steel exterior and interior construction
- Rear fan and heater assembly creates true convection pattern
- Unique air flow design ensures quick and uniform baking
- 450°F thermostat and 120 minute timer
- Safety glass door with handle
- Compact footprint
- Insulated exterior and door: FC-33/34/280/280V

## TEMPEST

**FC-33/1**

120 V

**FC-33**

208/240 V



\*TurboQuartz feature



#### Convection oven/broiler

All features of FC-34 with two quartz heating elements overhead - convection and broiling modes operate separately

**CAPACITY:** Same as FC-34 series

## BRIZA-V

**FC-280V/1**

120 V

**FC-280V**

208/240 V



#### CAPACITY:

- 3 slotted shelves and 1 drip pan included
- 2 additional slotted shelves (optional)
- 3 quarter size sheet pans (not included)

## WINDSTAR

**FC-280/1**

120 V

**FC-280**

208/240 V



#### CAPACITY:

- 2 wire racks and 1 bake tray included;
- 4 bake trays (optional)
- 3 quarter size sheet pans (not included)

## SIROCCO

**FC-34/1**

120 V

**FC-34**

208/240 V



#### CAPACITY:

- 3 wire racks and 1 drip pan included
- 4 bake trays (optional)
- 3 quarter size sheet pans (not included)



100 NIAN TIC AVENUE; SUITE 104 PROVIDENCE, RI 02907  
 TEL: (401)273-3300 FAX: (401)273-3328 E-mail: sales@equipex.com  
 www.equipex.com





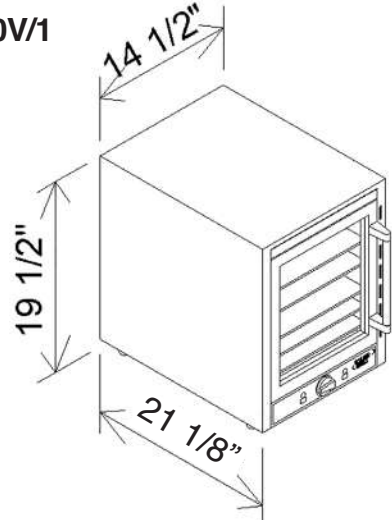
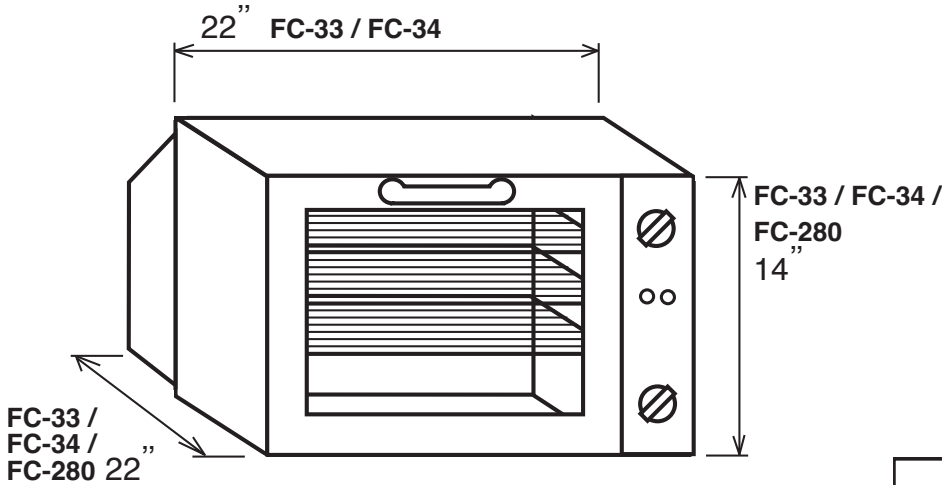
**CONVECTION OVEN/BROILER**

**FC-33/1** All features of FC-34 with two quartz heating elements overhead  
**FC-33** - convection and broiling modes operate separately

**CONVECTION OVENS**

**FC-26, FC-26/1, FC-34, FC-34/1**

**FC-280V, FC-280V/1**



MODEL	SHELF SIZE (WxD)
FC-33/34 SERIES	14 1/2" x 11 3/4"
FC-280 SERIES	12 1/4" x 12"
FC-280V SERIES	10" x 12"

INSTALLATION CLEARANCE: 2" EACH SIDE, TOP AND 3" AT BACK

**SPECIFICATIONS**

MODEL	ELECTRICAL	EXTERIOR DIMENSIONS	INTERIOR DIMENSIONS	SHIPPING WEIGHT	NEMA
FC-33	208/240V, 1PH, 3KW, 13/15 Amps	22"Wx22"Dx14"H	16 3/8"Wx13 3/4"Dx10 3/8"H	45 lbs	6-15 P
FC-33/1	120V, 1.7KW, 15 Amps	22"Wx22"Dx14"H	16 3/8"Wx13 3/4"Dx10 3/8"H	45 lbs	5-15 P
FC-34	208/240V, 1PH, 3KW, 13/15 Amps	22"Wx22"Dx14"H	16 3/8"Wx13 3/4"Dx10 3/8"H	45 lbs	6-15 P
FC-34/1	120V, 1.7KW, 15 Amps	22"Wx22"Dx14"H	16 3/8"Wx13 3/4"Dx10 3/8"H	45 lbs	5-15 P
FC-280	208/240V, 1PH, 2KW, 7/9 Amps	18 1/2"Wx22"Dx14"H	12 3/8"W x 12 3/8"D x 10 3/8"H	44 lbs	6-15 P
FC-280/1	120V, 1.7KW, 15 Amps	18 1/2"Wx22"Dx14"H	12 3/8"W x 12 3/8"D x 10 3/8"H	44 lbs	5-15 P
FC-280V	208/240V, 1PH, 2KW, 7/9 Amps	14 1/2"Wx21 1/8"Dx19 1/2"H	10 1/4"Wx12 5/8"Dx13"H	44 lbs	6-15 P
FC-280V/1	120V, 1.7KW, 15 Amps	14 1/2"Wx21 1/8"Dx19 1/2"H	10 1/4"Wx12 5/8"Dx13"H	44 lbs	5-15 P

\*All equipment must be plugged into a dedicated circuit of the proper ratings.

**WARRANTY: Limited one year parts and labor**



100 NIAN TIC AVENUE; SUITE 104 PROVIDENCE, RI 02907  
 TEL: (401)273-3300 FAX: (401)273-3328 E-mail: sales@equipex.com  
 www.equipex.com

