

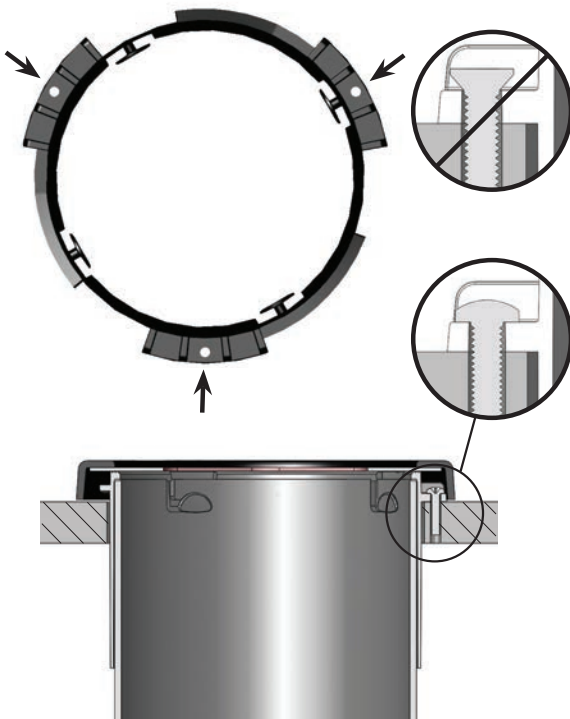
C2410C EZ-FIT® CUP DISPENSER INSTALLATION INSTRUCTIONS

1. CUT HOLE IN COUNTER SURFACE



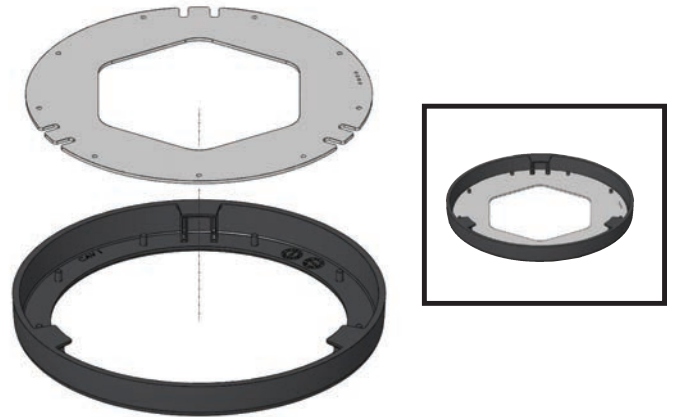
2. REMOVE TRIM RING TURNING COUNTER CLOCKWISE

3. SECURE CUP DISPENSER TO COUNTER WITH SUPPLIED SCREWS

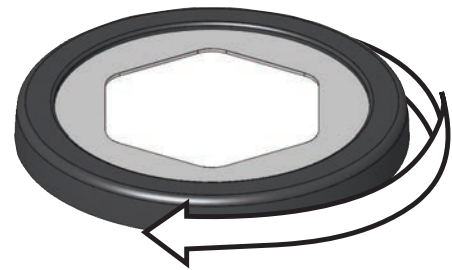


4. SELECT PROPER SIZE GASKET FOR CUP (SEE TABLE ON BACK)

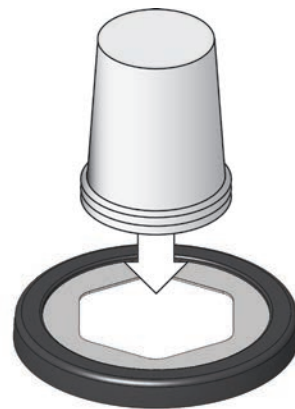
5. INSTALL GASKET OVER POSTS IN UNDERSIDE OF RING



6. REPLACE COVER RING WITH GASKET BY TURNING CLOCKWISE OVER MOUNTING RING UNTIL SECURE



7. LOAD CUPS THROUGH GASKET



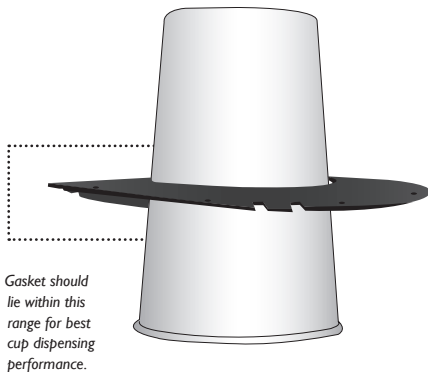
REPLACEMENT PARTS & ACCESSORIES (see reverse side for replacement gaskets)

X24MT	Black Mounting Ring (new low profile)	C2415	Spring	C2412SV	Wire Cage for Surface Mount
X24TR	Black Trim Ring (new low profile)	C2413BK	End Cap	C24XC	Chrome Finish Trim Ring
XC24KIT	Replacement Trim Rings (old & new)	100458BK	Cup Pusher		

GASKET SIZING GUIDE

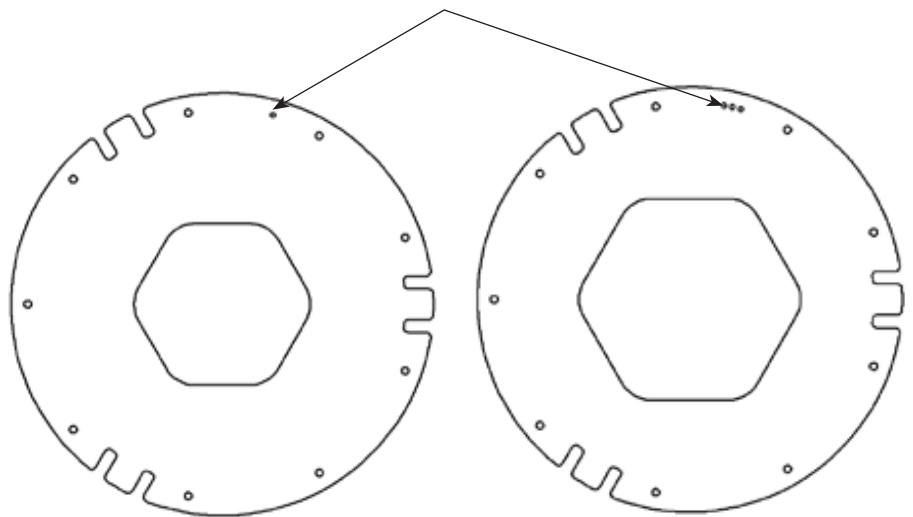
Approximate Cup Rim Diameter		Approximate Cup Size Range	Gasket Size	REPLACEMENT GASKET KITS		Quantity of Gaskets in Kit
minimum	maximum			Part Numbers		
2 7/8" (73mm)	3 1/8" (79mm)	8 oz (236mL) to 14 oz (414mL)	SMALL	XC2422SBK	XC2422S	3
3 1/2" (89mm)	3 7/8" (98mm)	16 oz (474mL) to 24 oz (710mL)	MEDIUM	XC2422MBK	XC2422M	3
4 3/16" (106mm)	4 3/8" (111mm)	32 oz (947mL)	LARGE	XC2422LBK	XC2422L	3
4 1/2" (114mm)	4 3/4" (121mm)	32 oz (947mL) to 46 oz (1360mL)	EXTRA LARGE	XC2422XLBK	XC2422XL	3
XC2426 One each- Small, Medium, Large, Extra Large						4

HOW TO DETERMINE WHICH GASKET TO USE



1. Turn cup upside down.
2. Affix gasket over cup. Gasket should rest about 2/3 of the way down from rim of cup.
3. When gasket fits appropriately, this indicates the correct gasket size to use.

SMALL GROUPING OF HOLES ON EDGE INDICATE GASKET SIZE (SEE CHART)



# OF HOLES	GASKET SIZE	PART #
○	SMALL	XC2422S/XC2422SBK
○○	MEDIUM	XC2422M/XC2422MBK
○○○	LARGE	XC2422L/XC2422LBK
○○○○	EXTRA LARGE	XC2422XL/XC2422XLBK

San Jamar
 Chef Revival
 555 Koopman Lane
 Elkhorn, Wisconsin 53121
 USA
 T: +1.262.723.6133
 F: +1.262.723.4204
 info@sjcr.com

SJCR Canada
 3300 Bloor Street West
 Center Tower, 11th Floor, Suite 3140
 Toronto, ON M8X 2X3
 CANADA
 T: +1.416.760.7367
 F: +1.416.207.2071
 canada@sjcr.com

SJCR Europe
 Schoorstraat 26A, bus-1
 2220 Heist op-den Berg
 BELGIUM
 T: +32 1522 8140
 F: +32 1522 8148
 emea@sjcr.com

SJCR México
 Av. Universidad #1377-701
 Colonia Axotla CP 01030
 Del. Álvaro Obregón
 MÉXICO, DF
 T: +52 (55) 3626 0772
 F: +52 (55) 5273 4495
 mexico@sjcr.com

SAN JAMAR
 Smart ♦ Safe ♦ Sanitary

C2419_RevD