



# GRIDDLE CONCEPT

## COUNTERTOP ELECTRIC GRIDDLES AND PLANCHAS

Compact heavy duty griddles designed for controlled cooking with high energy efficiency

### PSE GRIDDLES (CAST IRON):

- Fine grain smooth cast iron plate assures even cooking
- Each cooking zone is thermostatically controlled up to 570°F
- Integral on/off switch, pilot and temperature indicator lights for each cooking zone
- Stainless steel base for easy cleaning
- One piece griddle plate with integral back and side splashes
- Removable grease drawer

### PSS PLANCHAS (STEEL):

All features of PSE series except for...

- Satin finished cold-rolled steel plates
- Platform style one piece griddle top
- Integral stainless steel rear and side splashes

## PLANCHA STYLE



Model PSSE-600 shown

### PSSE PLANCHAS (ENAMELED STEEL):

All features of PSS series except for...

- Enameled steel cooking surface to reduce sticking
- Easy to clean cooking surface



Model PSI-600 shown

### PSI PLANCHAS (STAINLESS STEEL):

All features of PSS series except for...

- One piece stainless steel cooking surface, top, and sides
- Easy to clean cooking surface

### PCC PLANCHAS (CHROME):

All features of PSS series except for...

- Chrome coated steel plate with satin finish
- Ideal for demonstration cooking

### MODELS PCC/PSS/PSSE-400

120 V

208/240 V



(PCC-400 shown)

- \* One cooking zone
- \* Exterior dimensions: 16"Wx19"Dx9"H

### MODELS PSE/PCC/PSS/PSSE/PSI - 600

120 V

208/240 V



(PSE-600 shown)

- \* Two cooking zones
- \* Exterior dimensions: 24"Wx19"Dx9"H

### MODEL PSS-900

208/240 V



(PSS-900 shown)

- \* Three cooking zones
- \* Available in plancha style steel (PSS) cooking surface only
- \* Exterior dimensions: 36"Wx19"Dx9"H



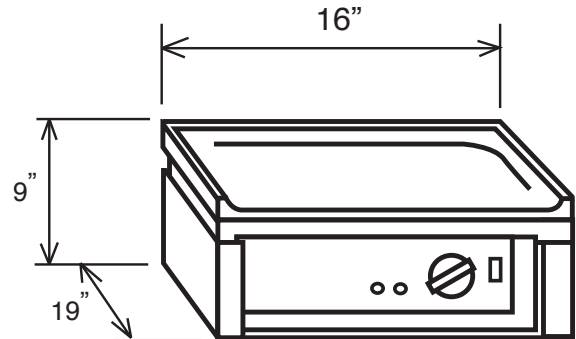
100 NIAN TIC AVENUE; SUITE 104 PROVIDENCE, RI 02907  
TEL: (401)273-3300 FAX: (401)273-3328 E-mail: sales@equipex.com  
www.equipex.com



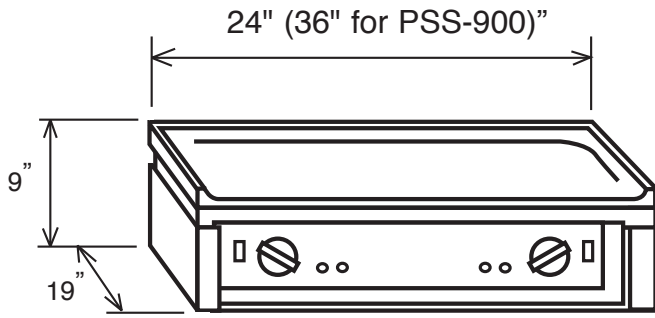


# COUNTERTOP ELECTRIC GRIDDLES AND PLANCHAS

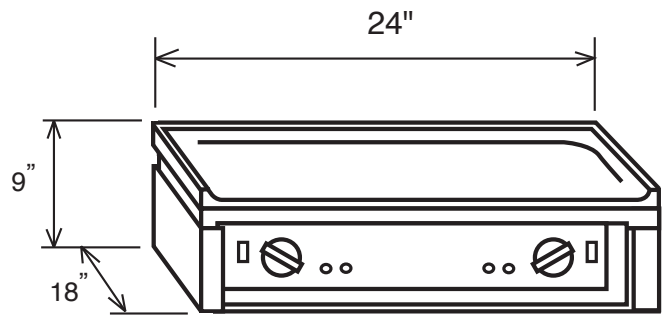
Compact heavy duty griddles designed for controlled cooking with high energy efficiency



PSS/PSSE/PCC-400



PSE/PSS/PSSE/PCC-600/PSS-900



PSI-600

## SPECIFICATIONS

INSTALLATION CLEARANCE : ALL MODELS 4" EACH SIDE AND BACK

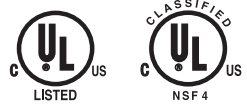
MODEL	ZONES	ELECTRICAL	DIMENSIONS	WORK SURFACE	SHIPPING WEIGHT	NEMA PLUG
PSS-400 PSSE-400 PCC-400	1	120V, 1.8KW, 15 Amps 208/240V, 1PH,3KW, 12/13Amps	16"Wx19"Dx9"H	15"Wx15"D	50 lbs	5-15 P 6-20 P
PSE-600	2	120V, 1.8KW, 15 Amps 208/240V,1PH, 4KW,15/17Amps	24"Wx19"Dx9"H	23"Wx14 1/2"D	70 lbs	5-15 P 6-20 P
PSS-600 PSSE-600 PCC-600	2	120V, 1.8KW, 15 Amps 208/240V, 1PH, 4KW,15/17Amps	24"Wx19"Dx9"H	23"Wx15"D	70 lbs	5-15 P 6-20 P
PSI-600	2	120V, 1.8KW, 15 Amps 208/240V 3.5KW, 15/17Amps	24"Wx18"Dx9"H	24"Wx18"D	80 lbs	5-15 P 6-20 P
PSS-900	3	208/240V, 1PH, 21/24mps, 6KW 208/240V, 3PH, 13/15Amps, 6KW	36"Wx19"Dx9"H	35"Wx15"D	145 lbs	6-50 P Cord Only

## GRILLING CAPACITY\*

MODEL	BURGERS	PANCAKES	STEAKS
PSE/PSS/PSSE/PCC-400	210	170	75
PSE/PSS/PSSE/PCC/PSI-60	320	240	115
PSS-900	480	360	170

\* estimated per hour;  
may vary with actual sizes  
and brands of products

**WARRANTY: Limited one-year parts and labor**



100 NIANTIC AVENUE; SUITE 104 PROVIDENCE, RI 02907  
TEL: (401)273-3300 FAX: (401)273-3328 E-mail: sales@equipex.com  
www.equipex.com