

MODEL: _____ PROJECT: _____ ITEM #: _____ QTY: _____

PRODUCT IMAGE



18-53C SHOWN

AVAILABLE IN 1800 or 2100 SERIES

STANDARD FEATURES

- **Sink Bowl**
20 gauge stainless steel. 10" x 14" x 10" deep bowl. 1 1/2" radius on all vertical and horizontal corners. Furnished with 1 1/2" stainless steel drain and 7 1/2" standpipe. Drain located in left rear corner
- **Drainboard**
20 gauge embossed stainless steel reinforced with welded braces every 6 inches. 3/4" radius on all vertical and horizontal edges
- **Front Apron**
22 gauge stainless steel clad over 20 gauge galvanized steel
- **Backsplash**
22 gauge stainless steel
- **Sides**
20 gauge stainless steel
- **Back and Bottom**
20 gauge galvanized steel
- **Legs**
1 5/8" tubular 16 gauge galvanized steel with grey plastic bullet foot
- **Faucet**
1800 Series: 4" center wall mount faucet
2100 Series: 4" center deck mount faucet
- **Low Lead Compliance**
Low Lead Compliant faucet options are available to meet California AB-1953 and Vermont S152 standards

OPTIONAL ACCESSORIES

- **30-160** Perforated Basket
- **C-36** Upgrade: Stainless Steel Legs
- **C-39** Right End Side Splash
- **C-40** Left End Side Splash
- **C-66** 6" Longer Legs (36" Working Height)
- **H-109** Upgrade: Royal Series Low Lead Faucet
- **S-"XX"** Single Speedrail ("XX" denotes 24, 30", or 36" or 48")
- **D-"XX"** Double Speedrail ("XX" denotes 24, 30", or 36")
- **KR-501** Towel Ring



APPROVED BY:

CERTIFICATIONS:

Due to our commitment to continued product improvement, specifications are subject to change without notice.

Printed in the USA

Krowne Metal Corporation

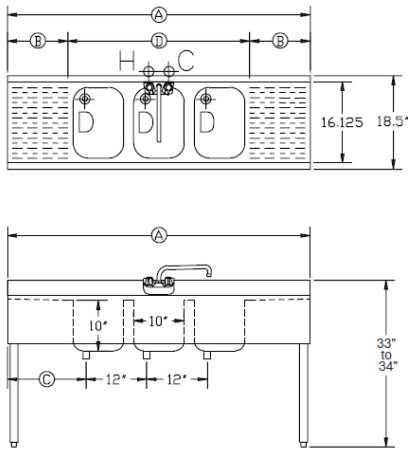
100 Haul Rd. Wayne, NJ 07470 • Toll Free: (800) 631-0442 • Fax: (973) 872-1129
sales@krowne.com • www.krowne.com • www.facebook.com/KrowneMetal • www.twitter.com/KrowneMetal

Rev. 4/2016
No. 4.4

STANDARD SERIES UNDERBAR BAR SINKS

MODEL: _____ PROJECT: _____ ITEM #: _____ QTY: _____

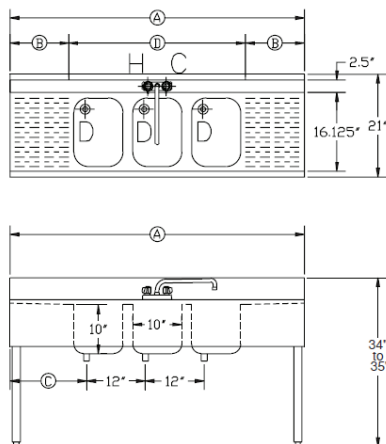
1800 SERIES



Model Numbers	Length A	Drainboard Side B	Left Side to Drain C	Bowls D	Weight (lbs.)
18-31C	3'-0"	12" Each	16"	1	48
18-32L	3'-0"	12" Right	4"	2	53
18-32R	3'-0"	12" Left	15"	2	53
18-42L	4'-0"	24" Right	4"	2	55
18-42R	4'-0"	24" Left	27"	2	55
18-42C	4'-0"	12" Each	15"	2	55
18-33	3'-0"	N/A	4"	3	55
18-43L	4'-0"	12" Right	4"	3	60
18-43R	4'-0"	12" Left	15"	3	60
18-53C	5'-0"	12" Each	15"	3	69
18-63C	6'-0"	18" Each	21"	3	75
18-73C	7'-0"	24" Each	27"	3	86
18-83C	8'-0"	30" Each	33"	3	94
18-64C	6'-0"	12" Each	15"	4	79
18-74C	7'-0"	18" Each	21"	4	91
18-84C	8'-0"	24" Each	27"	4	99

MECHANICAL REQUIREMENTS: 1/2" IPS hot and cold water. 1 1/2" IPS drain connection

2100 SERIES



Model Numbers	Length A	Drainboard Side B	Left Side to Drain C	Bowls D	Weight (lbs.)
21-31C	3'-0"	12" Each	16"	1	51
21-32L	3'-0"	12" Right	4"	2	56
21-32R	3'-0"	12" Left	15"	2	56
21-42L	4'-0"	24" Right	4"	2	58
21-42R	4'-0"	24" Left	27"	2	58
21-42C	4'-0"	12" Each	15"	2	58
21-33	3'-0"	N/A	4"	3	53
21-43L	4'-0"	12" Right	4"	3	63
21-43R	4'-0"	12" Left	15"	3	63
21-53C	5'-0"	12" Each	15"	3	75
21-63C	6'-0"	18" Each	21"	3	85
21-73C	7'-0"	24" Each	27"	3	95
21-83C	8'-0"	30" Each	33"	3	104
21-64C	6'-0"	12" Each	15"	4	88
21-74C	7'-0"	18" Each	21"	4	100
21-84C	8'-0"	24" Each	27"	4	109

MECHANICAL REQUIREMENTS: 1/2" IPS hot and cold water. 1 1/2" IPS drain connection



APPROVED BY:

CERTIFICATIONS:

Due to our commitment to continued product improvement, specifications are subject to change without notice.