

Ingredient Bins

Slant Top

Models IBS20 – 21 gallon (81 L)
IBS27 – 27 gallon (102 L)
IBS37 – 37 gallon (140 L)



Features & Benefits

- Stores and transports a wide variety of dry ingredients such as flour, sugar, rice or grains. Perfect for restaurants, food manufacturers or commissaries.
- Available in 21, 27 and 37 gallon (81, 102, 140 L) capacity to meet standard industry requirements for storage and transportation of bulk foods.
- One-piece, seamless single-wall polyethylene bin construction is extremely durable. Won't rust or corrode. Liquids and dry foods will not stick or seep between seams.
- FDA accepted material. Meets all food contact requirements and eliminates need for liners.
- Smooth interior and exterior are easy to clean.
- Injection molded Camwear® polycarbonate lids are transparent, break resistant and offer quick and easy identification of contents. Slide-back feature means easy access.
- Working height permits storage under standard work tables.
- Heavy-duty 3" (7,6 cm) casters, 2 front swivel, 2 fixed.
- No assembly required.
- Available in White (148) only with Clear (135) cover.

Item No. _____

Specifier Identification No. _____

Model No. _____

Quantity _____



IBS20



IBS27



IBS37

Scoops not Included
Approvals



Ingredient Bins

Item No. _____

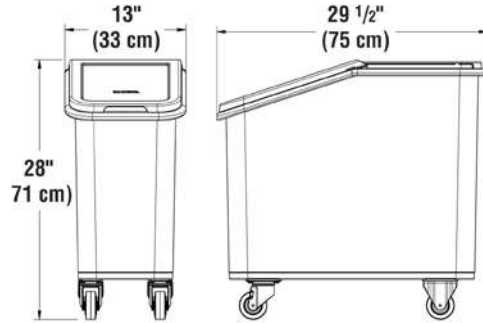
Slant Top

Models IBS20 – 21 gallon (81 L)
 IBS27 – 27 gallon (102 L)
 IBS37 – 37 gallon (140 L)

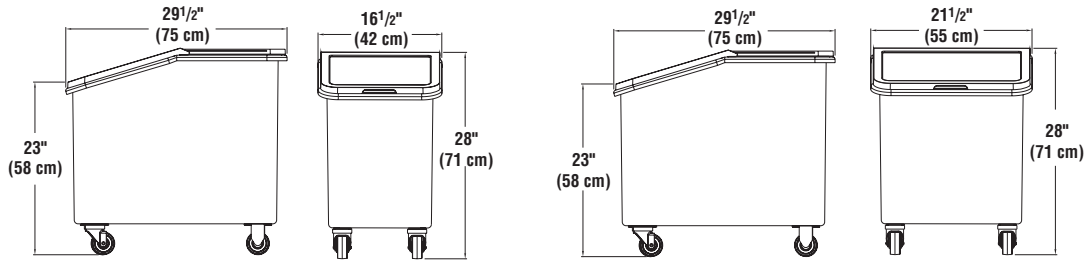
Specifier Identification No. _____

Model No. _____

Quantity _____



IBS20



IBS27

IBS37

Specifications

Dimension Tolerance: +/- 1/4" (0,64 cm)

Code	Description	Volume Capacity	Load Capacity		Exterior Dimensions W x D x H	Case lbs./cube Kg/m ³
			Sugar	Flour		
IBS20	21 gal. Ingredient Bin (81 L)	2.87 Cubic feet (0,081) Cubic meters	170 lbs.	140 lbs.	13" x 29 1/2" x 28" (33 x 75 x 71 cm)	28 (6,57) 13 (0,19)
			(77 kg.)	(63 kg.)		
IBS27	27 gal. Ingredient Bin (102 L)	3.98 Cubic feet (0,113) Cubic meters	226 lbs.	150 lbs.	16 1/2" x 29 1/2" x 28" (42 x 75 x 71 cm)	24 (7,50) 11 (0,22)
			(103 kg.)	(68 kg.)		
IBS37	37 gal. Ingredient Bin (140 L)	5.55 Cubic feet (0,157) Cubic meters	314 lbs.	225 lbs.	21 1/2" x 29 1/2" x 28" (55 x 75 x 71 cm)	28 (10,10) 13 (0,29)
			(142 kg.)	(102 kg.)		

Architect Specs

The Ingredient Bins shall be Cambro Model..., manufactured by Cambro Mfg. Co., Huntington Beach, CA 92648 U.S.A. Each unit shall be one piece, seamless, single-wall molded construction made of FDA Approved white polyethylene. Unit capacity shall range from 21 - 37 gallons (81 - 140 L) and/or 2.87 - 5.55 cu. ft. (0,081 - 0,157 cubic meters).

It shall have four each 3" (7,6 cm) casters with 1 1/4" (3,2 cm) wide tread, 2 front swivel and 2 fixed. It shall have an injection molded, transparent, slide-back polycarbonate lid. It shall not exceed 29" (73,6 cm) in height so that it can store under standard work tables. It shall be available in white only with a clear cover.

Approvals



© Cambro Manufacturing Company 5801 Skylab Road, Huntington Beach, CA 92647-2056, U.S.A.
 Telephone 714 848 1555 Toll Free 800 854 7631 Customer Service Department 800 833 3003